

MM IN

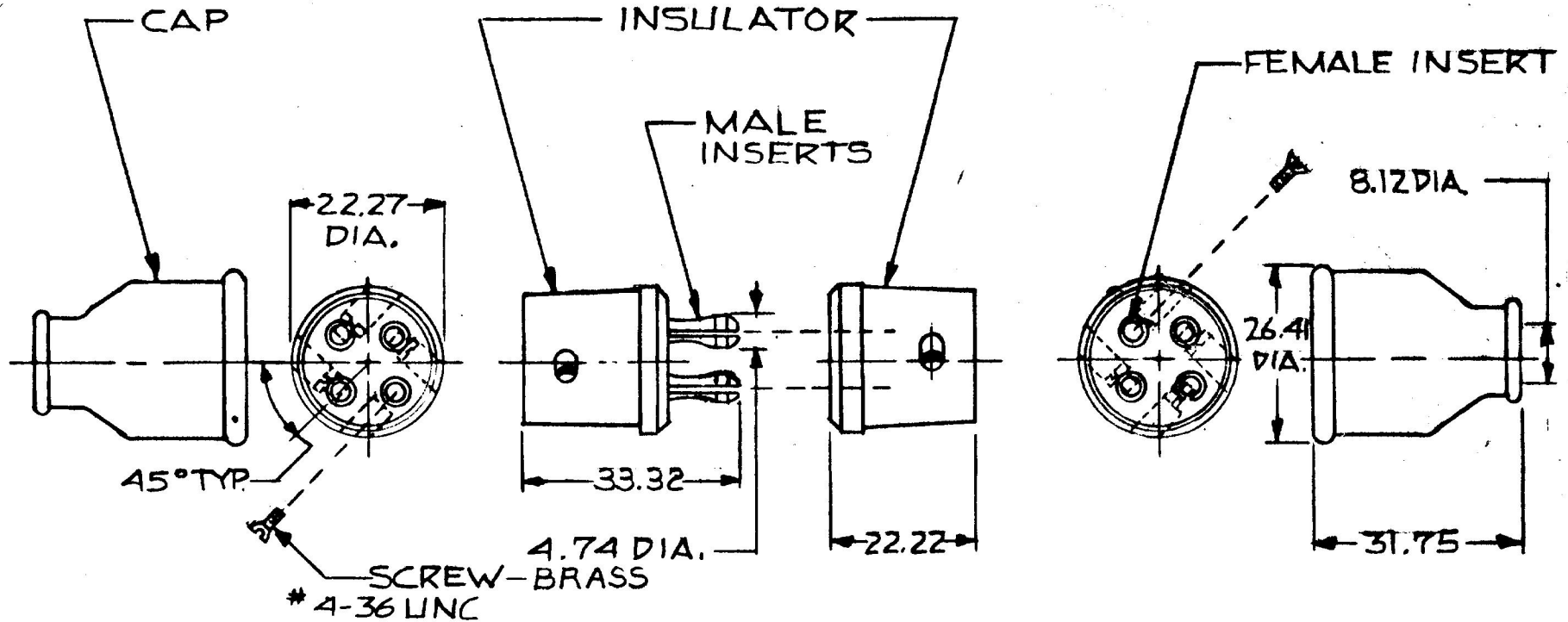
M115

4.74 .187
 8.12 .320
 22.22 .875
 26.41 1.040
 31.75 1.250
 22.27 .877

33.32 1.312

M115-M (MALE)

M115-F (FEMALE)




POLARIZED

NOTES:
 1. ALL STEEL PARTS PLATED.
 2. ALL DIMENSIONS ARE REFERENCE

METRIC.

DO NOT SCALE

LET.	WAS	DATE	BY	LET.	WAS	DATE	BY	MATERIAL	DRAWN	CHECKED	APPR'D.	SCALE	DATE DRAWN
								★	VAK	CS		1:1	9-24-84
								FINISH					DATE BLUEPRINT
									 20 OLD COLONY AVENUE SOUTH BOSTON MA. 02144 0717				
								TOLERANCES	4 POLE CONNECTOR				M115
								DECIMAL ±					
								METRIC ±					

CH-188(4-78)