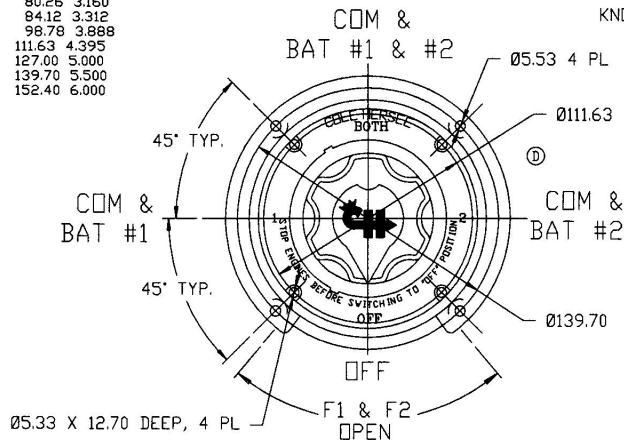
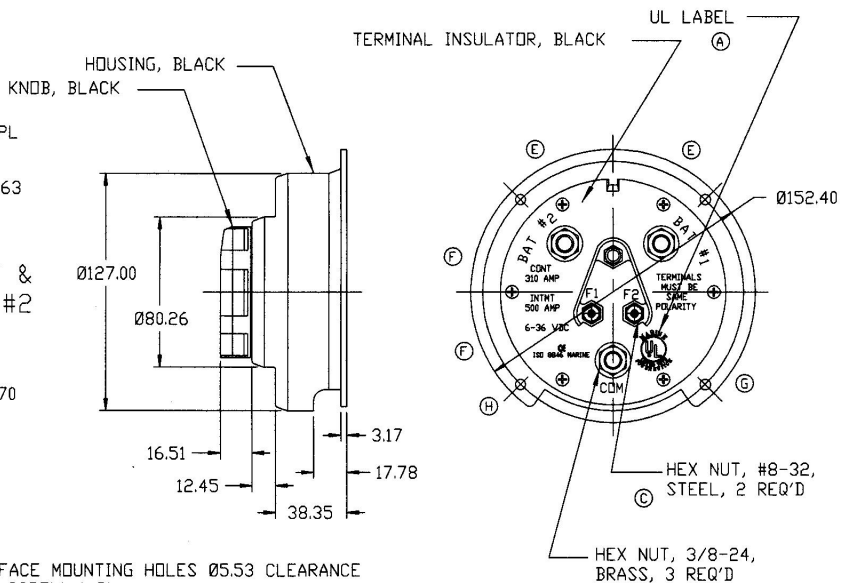
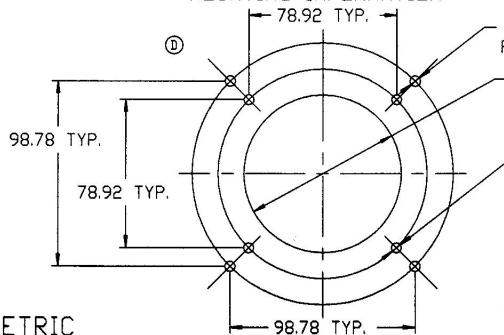


| MM     | IN    |
|--------|-------|
| 3.17   | 0.125 |
| 5.10   | 0.201 |
| 5.53   | 0.218 |
| 12.45  | 0.490 |
| 12.70  | 0.500 |
| 16.51  | 0.650 |
| 17.78  | 0.700 |
| 38.35  | 1.510 |
| 78.92  | 3.107 |
| 80.26  | 3.160 |
| 84.12  | 3.312 |
| 98.78  | 3.888 |
| 111.63 | 4.395 |
| 127.00 | 5.000 |
| 139.70 | 5.500 |
| 152.40 | 6.000 |



MOUNTING INFORMATION



SURFACE MOUNTING HOLES Ø5.53 CLEARANCE FOR #10 SCREW 4 PL

CLEARANCE HOLE FOR PANEL MOUNT Ø84.12

PANEL MOUNTING HOLES Ø5.10 X 12.70 DEEP FOR 1/4" THREAD CUTTING SCREW 4PL

HEX NUT, #8-32, STEEL, 2 REQ'D  
HEX NUT, 3/8-24, BRASS, 3 REQ'D

Confidential Property of Cole Hersee

DO NOT SCALE

| LET. | WAS                               | DATE     | BY  | LET. | WAS                             | DATE     | BY  | MATERIAL                           | DRAWN | CHK | APVD | SCALE | M750 WITH FIELD CKT             | DATE DRAWN       |
|------|-----------------------------------|----------|-----|------|---------------------------------|----------|-----|------------------------------------|-------|-----|------|-------|---------------------------------|------------------|
| J    | ECH 24824                         | 7/7/84   | DPS | D    | ECH 24239<br>ASSG MOUNTING INFO | 4/24/90  | RD  |                                    | DPS   |     |      | 1/2   | M750 WITH FIELD CKT<br>EX23169B | 5/5/89           |
| H    | ECH 24239<br>ASSG I.C. IMPRINT    | 12/29/97 | JMP | C    | BRASS, ECH 24826                | 1/2/90   | RD  | FINISH                             |       |     |      |       |                                 | DATE BLUEPRINTED |
| G    | ECH 24826<br>UL LABEL             | 5/5/90   | RD  | B    | ECH 24824                       | 11/28/99 | JP  |                                    |       |     |      |       |                                 |                  |
| F    | ECH 24844                         | 8/1/90   | RD  | A    | MILICATED UL LABEL<br>ECH 24826 | 9/19/99  | DPS | TOLERANCES<br>DECIMAL ±<br>ANGLE ± |       |     |      |       |                                 |                  |
| E    | ECH 2447<br>DELETED STUD LOCATORS | 7/26/90  | RD  |      | ISSUED                          |          |     |                                    |       |     |      |       |                                 |                  |

**CH** Cole Hersee Co.  
80 OLD COLONY AVENUE, BOSTON, MA, U.S.A. 02127  
SW BAT SELECTOR WITH  
FIELD CIRCUIT

METRIC