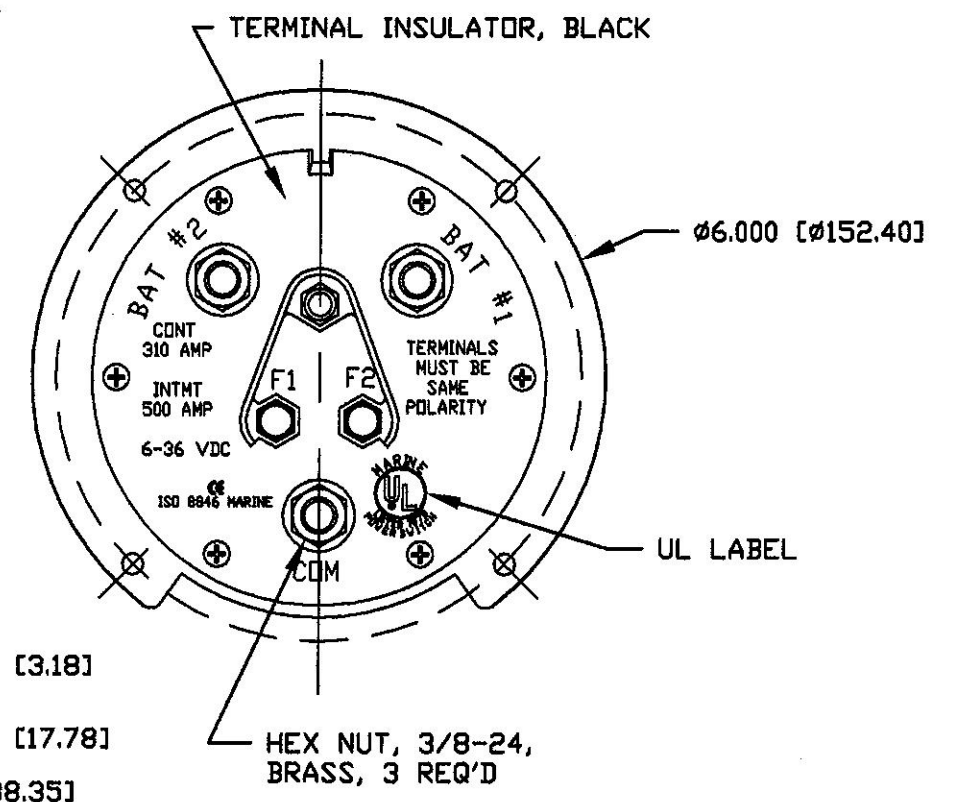
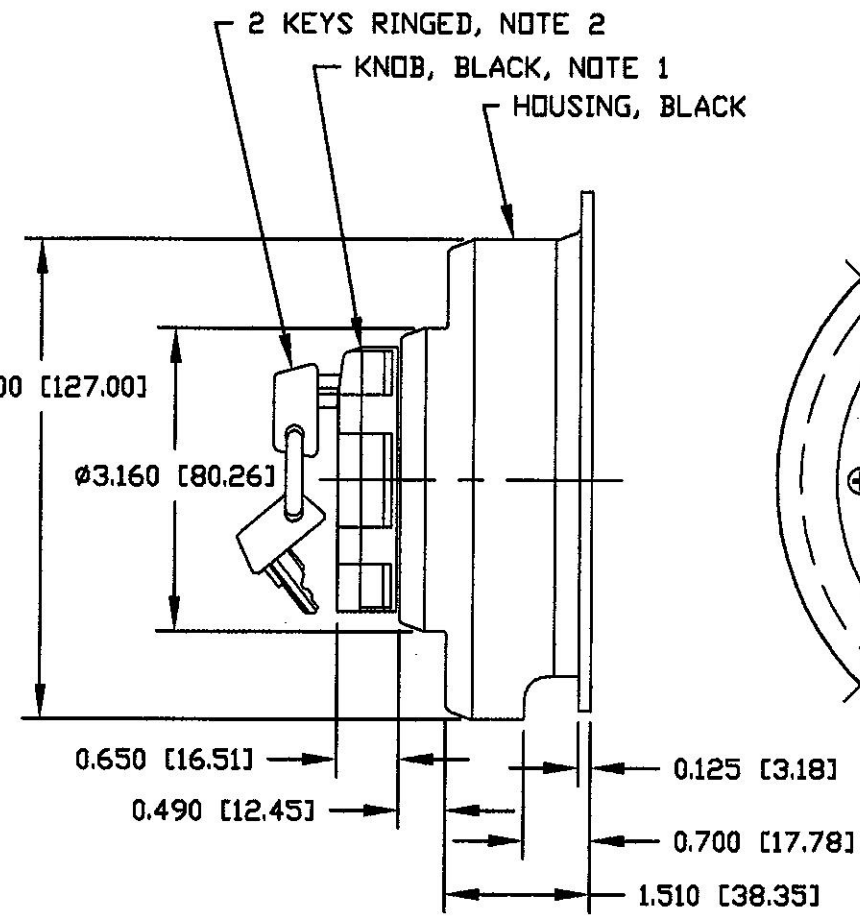
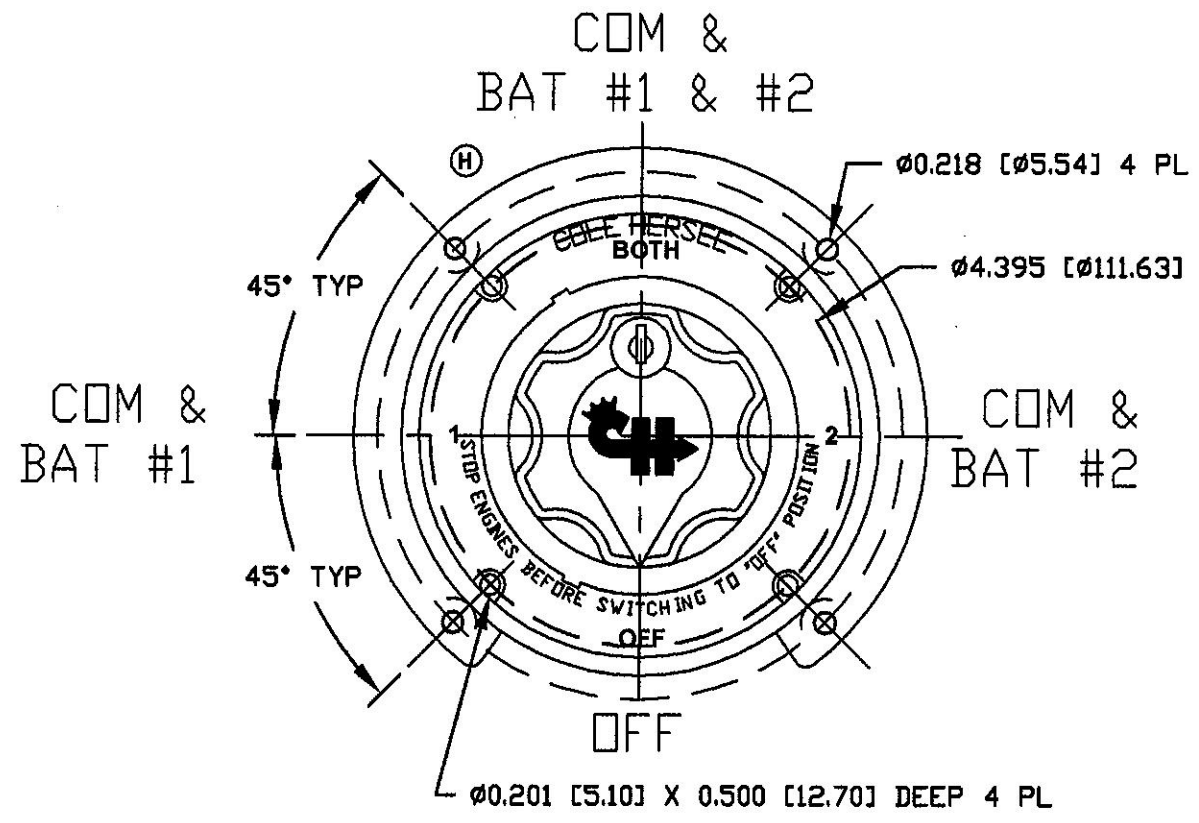
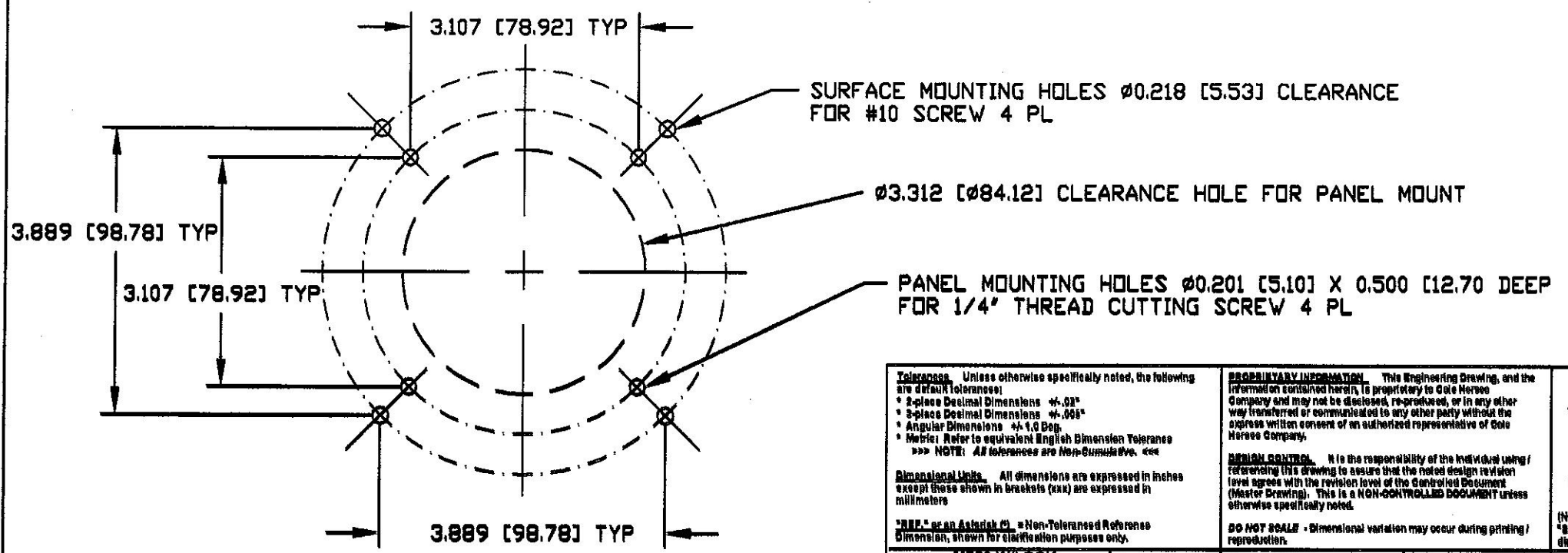


Revision Control Record			
Rev.	Description of Change	ECN No.	Date
K	BOM CHANGE	07017	01/29/07



MOUNTING INFORMATION



- NOTES:**
 1. KNOB LOCKED IN 'OFF' POSITION ONLY
 2. KEY REMOVEABLE WITH KNOB LOCKED OR UNLOCKED

<p>Tolerances Unless otherwise specifically noted, the following are default tolerances: * 2-place Decimal Dimensions $\pm .02$" * 3-place Decimal Dimensions $\pm .008$" * Angular Dimensions ± 1.0 Deg. * Metric: Refer to equivalent English Dimension Tolerances >>> NOTE: All tolerances are Non-Cumulative. <<<</p> <p>Dimensional Units All dimensions are expressed in inches except those shown in brackets (xxx) are expressed in millimeters</p> <p>*MXX* or an Asterisk (*) = Non-Toleranced Reference Dimension, shown for clarification purposes only.</p>	<p>PROPRIETARY INFORMATION This Engineering Drawing, and the information contained herein, is proprietary to Cole Hersee Company and may not be disclosed, re-produced, or in any other way transferred or communicated to any other party without the express written consent of an authorized representative of Cole Hersee Company.</p> <p>REVISION CONTROL It is the responsibility of the individual using / referencing this drawing to assure that the noted design revision level agrees with the revision level of the Controlled Document (Master Drawing). This is a NON-CONTROLLED DOCUMENT unless otherwise specifically noted.</p> <p>DO NOT SCALE - Dimensional variation may occur during printing / reproduction.</p>	<p>Special Characteristics:</p> <p>⊠ Critical Characteristic, relating to Safety and/or Regulatory Compliance</p> <p>X Significant Characteristic relating to Process Control (SPC)</p> <p>Ⓚ Control Dimension relating to Form - Fit - Function as defined by Cole Hersee Company and/or the Customer</p> <p>(Note that the identification of any Characteristics as being "Special" does not alter the requirement that ALL specified dimensions & tolerances must be met.)</p>	<p>Cole Hersee Co. 20 Old Colony Ave., South Boston, MA, 02127 Ptnl 617-268-2100 Web: www.colehersee.com</p>		
				<p>Used On: M750 W/LOOK or Ref: BX23188C</p>	<p>Scale: 1:2</p>
<p>Description: SW BAT SELECTOR W/FIELD CIRCUIT & LOCK</p>			<p>Drawing / Part No.: M-753</p>	<p>K</p>	