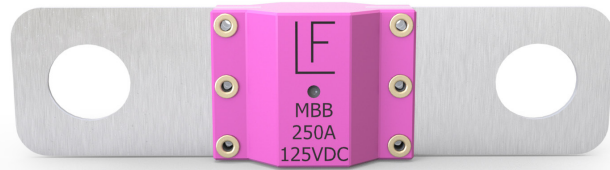


Battery Backup Fuse

MBB Series



Description

The Littelfuse MBB fuse series is rated for applications up to 125 V dc. These bolt-down fuses are specially engineered to provide protection in high power battery charging systems and data servers. Its compact size saves space without sacrificing performance, with a 3kA breaking capacity at rated voltage.

Features & Benefits

FEATURES	BENEFITS
Compact Size	Save space and offers design flexibility
High cycling performance	Reliable performance for evolving battery technologies with fuse circuit protection
Low watts loss	Maximizes efficiency by preventing energy loss and minimizing the wasted power of components

Applications

- Battery Backup
- Datacenter
- AI servers

Specifications

Voltage Rating	125 V dc
Ampere Range	50 - 350 A
Interrupting Rating	3000 A
Operating Characteristic	aR (Partial-range, high-speed)
Time Constant	1.2 ms
Applicable Standards	UL 248-13
Material	Body - ceramic Blades - tin plated copper
Operating Temperature Range	-40 °C to +105 °C
Country of Origin	China
Mounting	Bolt

Battery Backup Fuse

MBB Series

Certification & Compliance

UL	cURus Recognized (File: E211637)
CE	Declaration of Conformity: File (EU_DOC-MBB_250325)
RoHS	RoHS 2 Directive 2011/65/EU; Directive (EU) 2015/863
REACH	Regulation (EC) 1907/2006

Ordering Information

AMP RATING	CATALOG NUMBER	PRODUCT MARKING	PACK QUANTITY	ORDERING NUMBER	UPC CODE
50	MBB050	MBB 50A	50	0MBB050.L	07945864980
			500	0MBB050.U	07945863741
60	MBB060	MBB 60A	50	0MBB060.L	07945864981
			500	0MBB060.U	07945863742
80	MBB080	MBB 80A	50	0MBB080.L	07945864982
			500	0MBB080.U	07945863743
100	MBB100	MBB 100A	50	0MBB100.L	07945864983
			500	0MBB100.U	07945863744
150	MBB150	MBB 150A	50	0MBB150.L	07945864984
			500	0MBB150.U	07945863745
200	MBB200	MBB 200A	50	0MBB200.L	07945864985
			500	0MBB200.U	07945863746
250	MBB250	MBB 250A	50	0MBB250.L	07945864986
			500	0MBB250.U	07945863747
300	MBB300	MBB 300A	50	0MBB300.L	07945864987
			500	0MBB300.U	07945864025
350	MBB350	MBB 350A	50	0MBB350.L	07945864988
			500	0MBB350.U	07945864026

Electrical Specifications

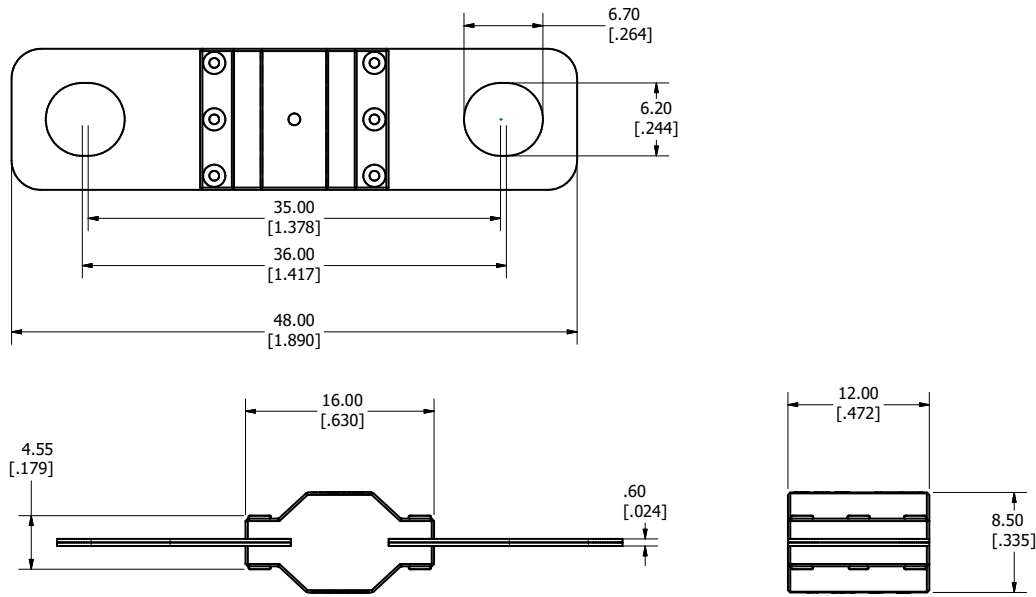
AMP RATING	VOLTAGE RATING	INTERRUPTING RATING	MINIMUM BREAKING CAPACITY (A)	WATTS LOSS AT 100 % RATED CURRENT (W)	MELT (PRE-ARC) I ² T (A ² S)	TOTAL CLEARING I ² T (A ² S)	NOMINAL COLD RESISTANCE (OHMS)
	DC	DC				3KA @ 125 V DC	
50	125 V	8kA @ 63 V dc* 6kA @ 100 V dc* 3kA @ 125 V dc	150	3.2	1225	1550	0.00092
60	125 V		180	3.9	2090	2630	0.00073
80	125 V		240	4.7	5020	6270	0.00051
100	125 V		300	6.2	9100	11260	0.00043
150	125 V		450	12.5	20000	24600	0.00033
200	125 V		600	15.9	35000	42750	0.00024
250	125 V		750	20.8	55000	66550	0.00019
300	125 V		900	27.4	83500	100200	0.00016
350	125 V		1050	32.5	99000	110000	0.00013

*Self-certified

Battery Backup Fuse

MBB Series

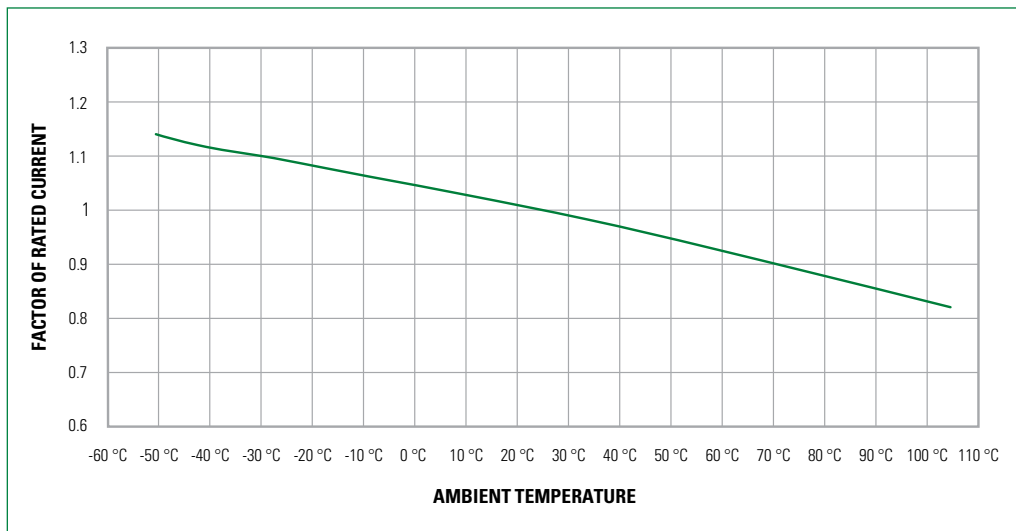
Dimensions (Millimeters)



RECOMMENDED TIGHTENING TORQUE - M6 WITH 5 - 5.5 NM

Temperature Derating Curve

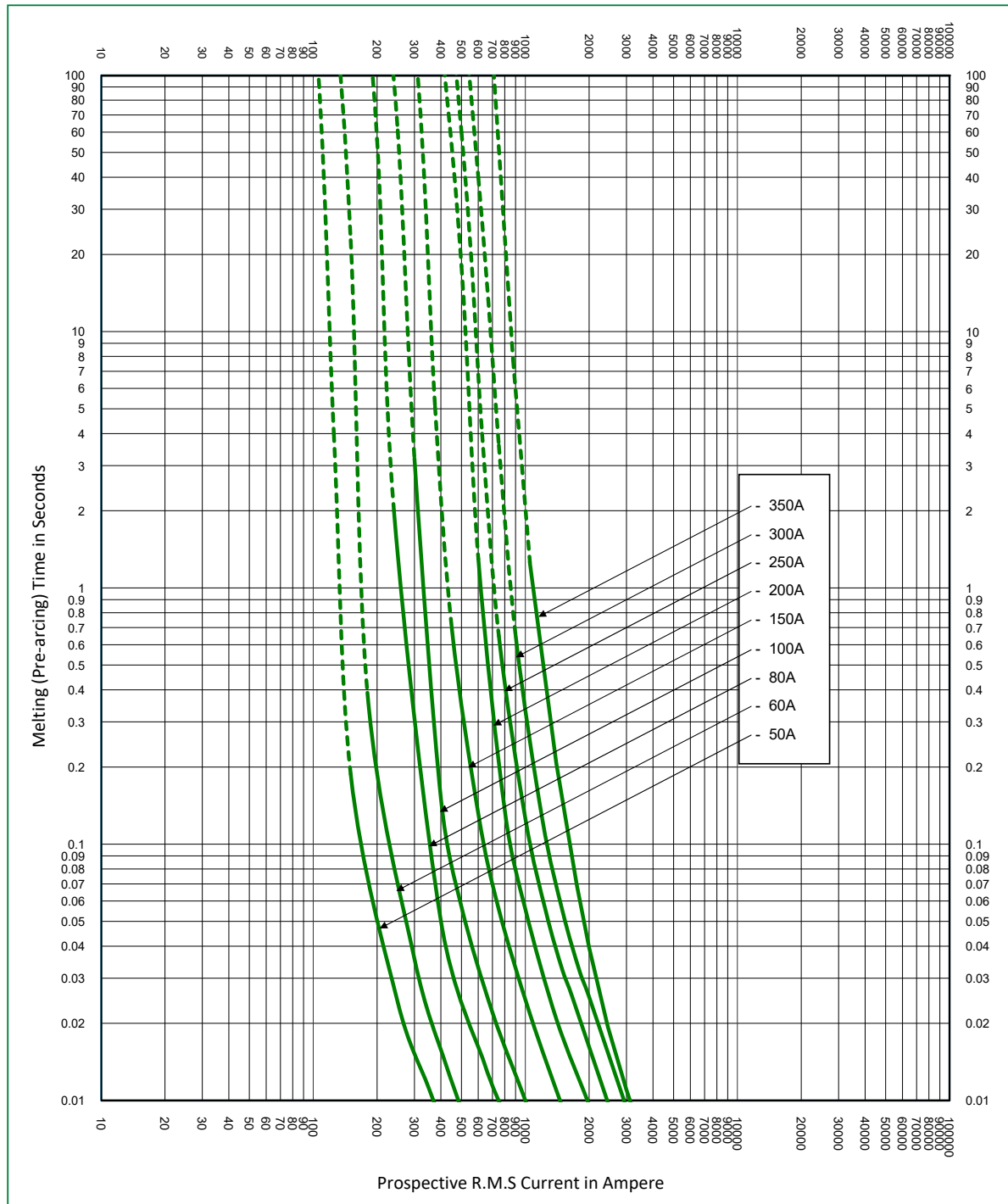
Ambient temperature: temperature of air immediately surrounding fuse



Battery Backup Fuse

MBB Series

Time Current Curves



Disclaimer Notice – Information furnished is believed to be accurate and reliable. However, users should independently evaluate the suitability of and test each product selected for their own applications. Littelfuse products are not designed for, and may not be used in, all applications. Read complete Disclaimer Notice at www.littelfuse.com/product-disclaimer.