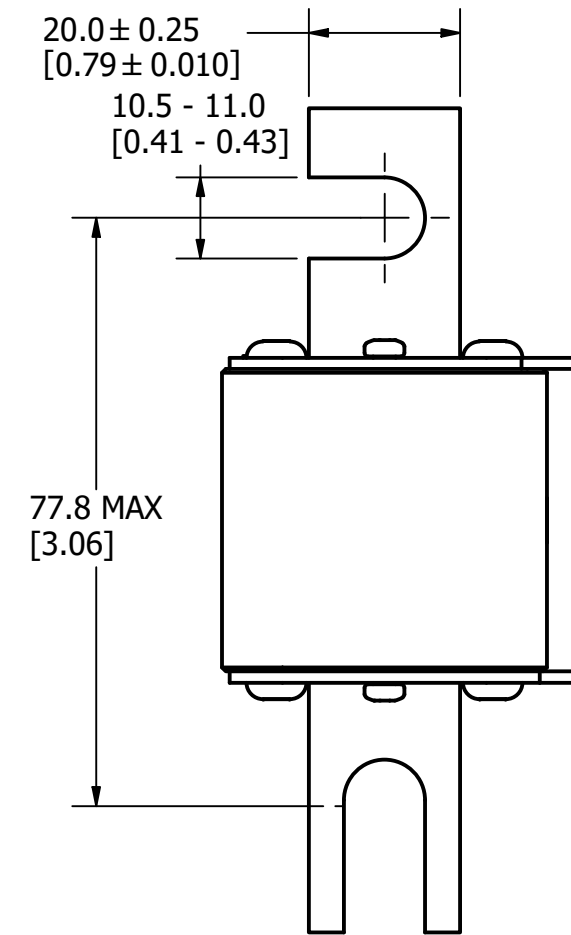
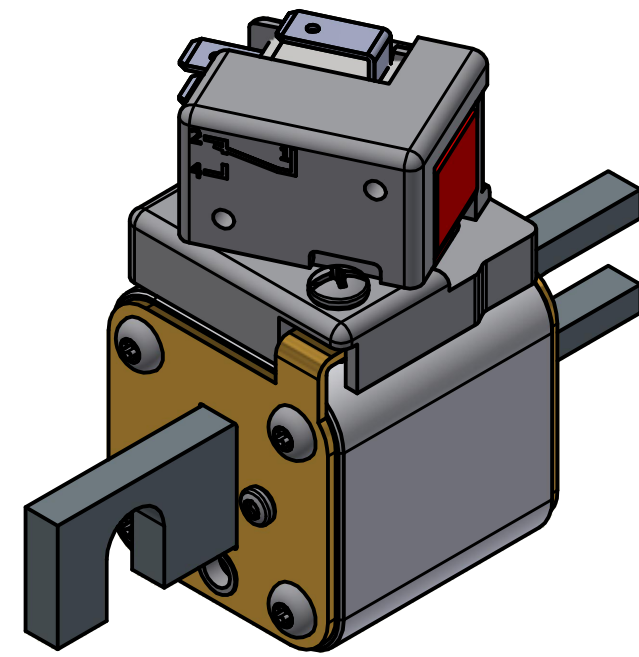
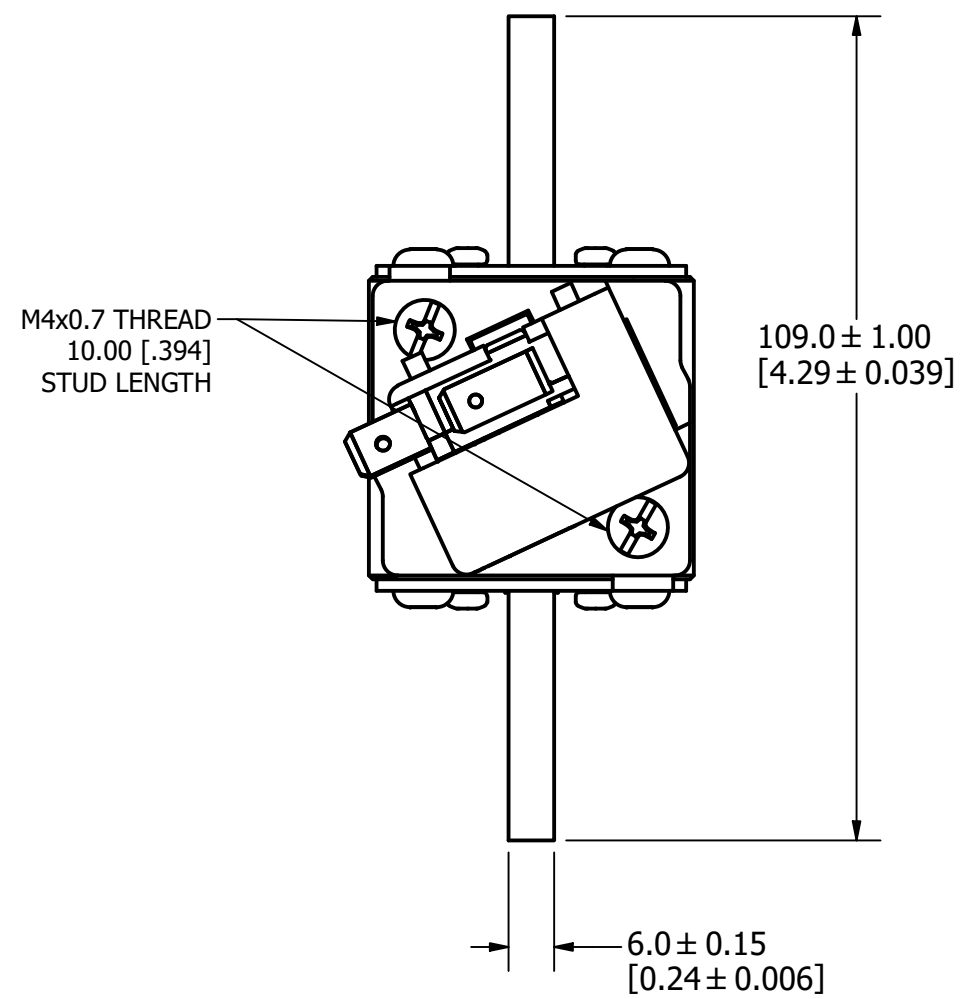


MOUNTING SPECS:

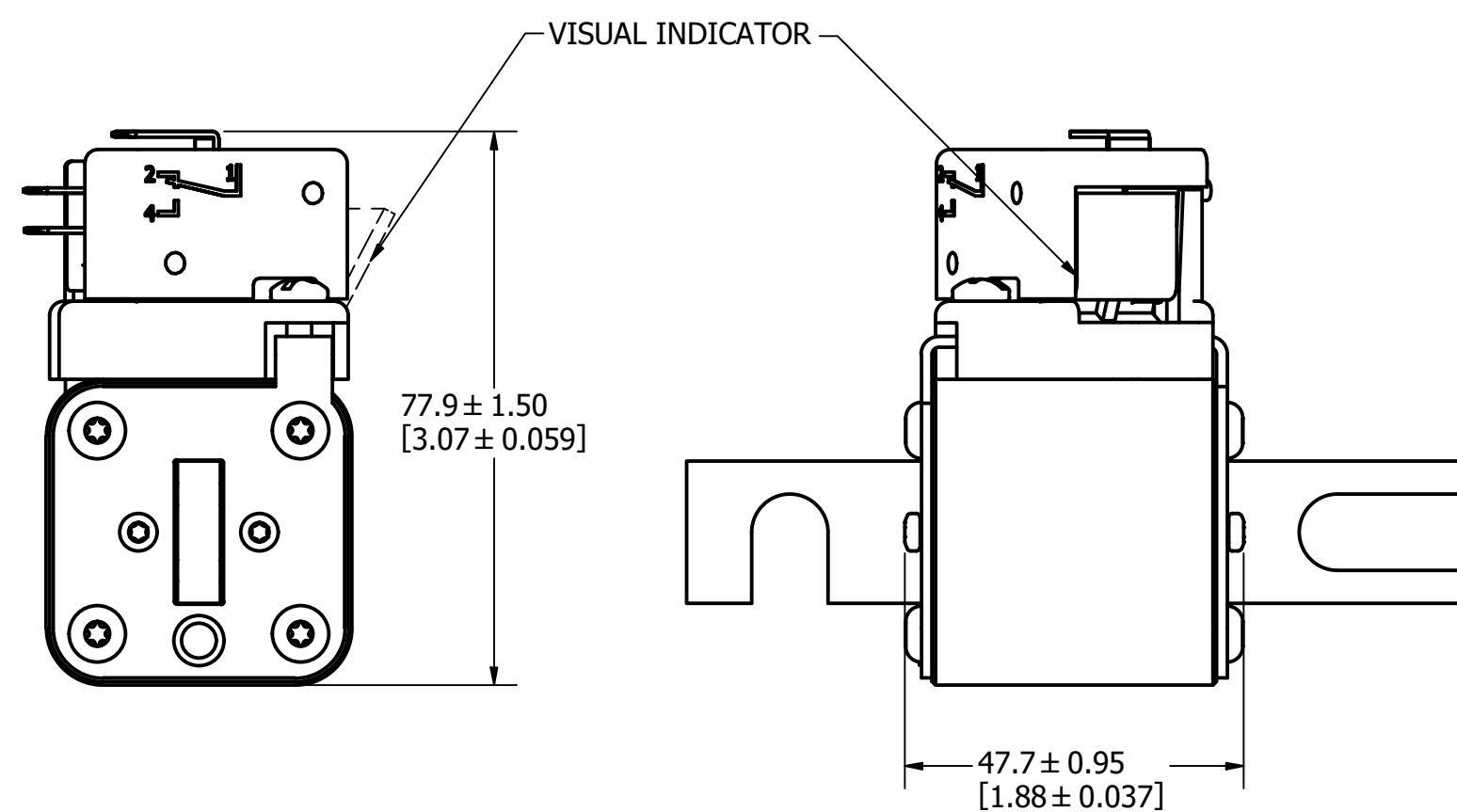
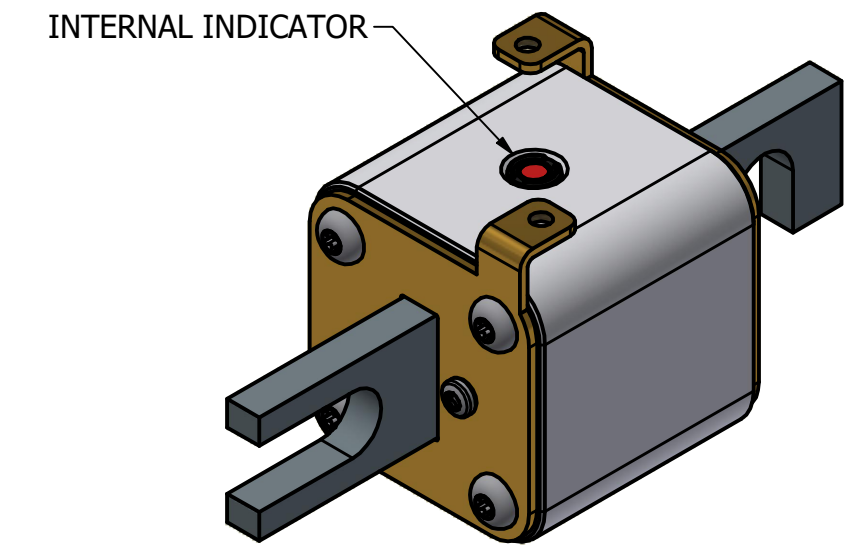
RECOMMENDED FASTENER: M10 OR 3/8"
TIGHTENING TORQUE (REFERENCE ONLY): 26Nm

REVISION		
REV	DATE	DESCRIPTION
A	3/11/20	522093GCP - RELEASE MRY
B	4/20/20	522239ECP/D - ADD TOLERANCES MRY
C	5/10/22	525179ECP/D - CHANGE HEIGHT DIMENSION MRY
D	1/22/24	526835ECP/D - ADDED VIEW WITHOUT MICRO-SWITCH JTM

FUSE WITH MICRO-SWITCH

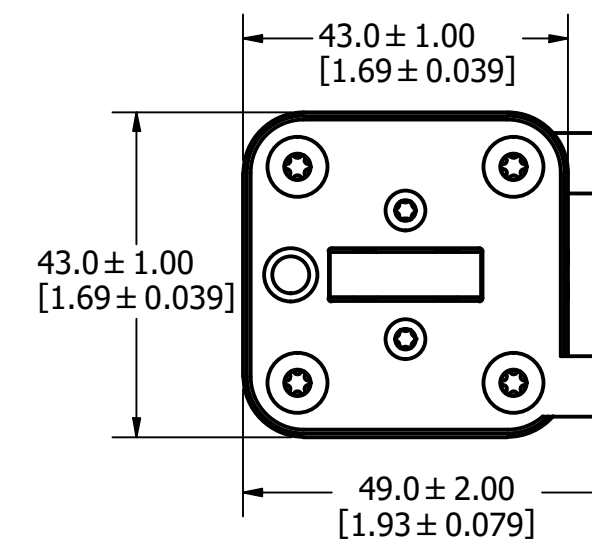


FUSE



FUSE WITH MICRO-SWITCH

FOR REFERENCE ONLY



<S>	CRITICAL CHARACTERISTIC FOR PART SAFETY/COMPLIANCE
●	DENOTES CRITICAL CHARACTERISTICS.
CPK	DENOTES CPK DIMENSIONS, -MINIMUM CPK VALUE
(ST)	DENOTES A CHARACTERISTIC THAT PROVIDES AN INDICATION OF PROCESS PERFORMANCE. PROCEDURE FOR MEASUREMENT AND TRACKING TO BE DEFINED IN LITTELFUSE INSPECTION INSTRUCTIONS.
CP	DENOTES CP DIMENSIONS, -MINIMUM CP VALUE MUST BE WITHIN THE DIMENSIONAL LIMITATIONS SHOWN ON DRAWING AND INITIALLY LOCATED TO ALLOW FOR MAXIMUM TOOL LIFE.

MATL SPEC	FINISH		
DRW myork	DATE 1/22/2024	SCALE NTS	FINISH GOOD WT GRAMS/PIECE

UNLESS OTHERWISE SPECIFIED, DIMENSIONS ARE IN MILLIMETERS, DIMENSIONS IN BRACKETS [] ARE INCHES DIMENSIONING AND DO NOT INCLUDE PLATING. TOLERANCING TO BE INTERPRETED IN ACCORDANCE WITH ANSI Y14.5M-1994

3RD ANGLE PROJECTION	
----------------------	--

TITLE PSR SIZE 30 DIN 80 (DS) FUSE OUTLINE

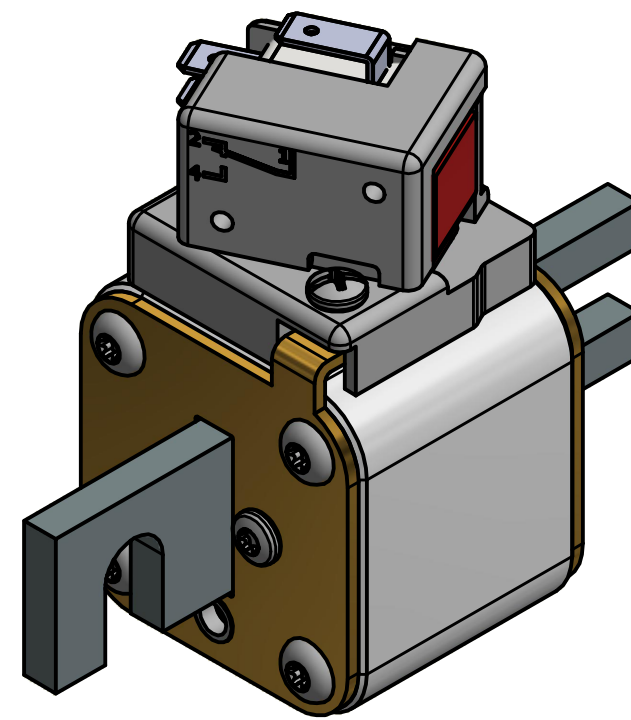
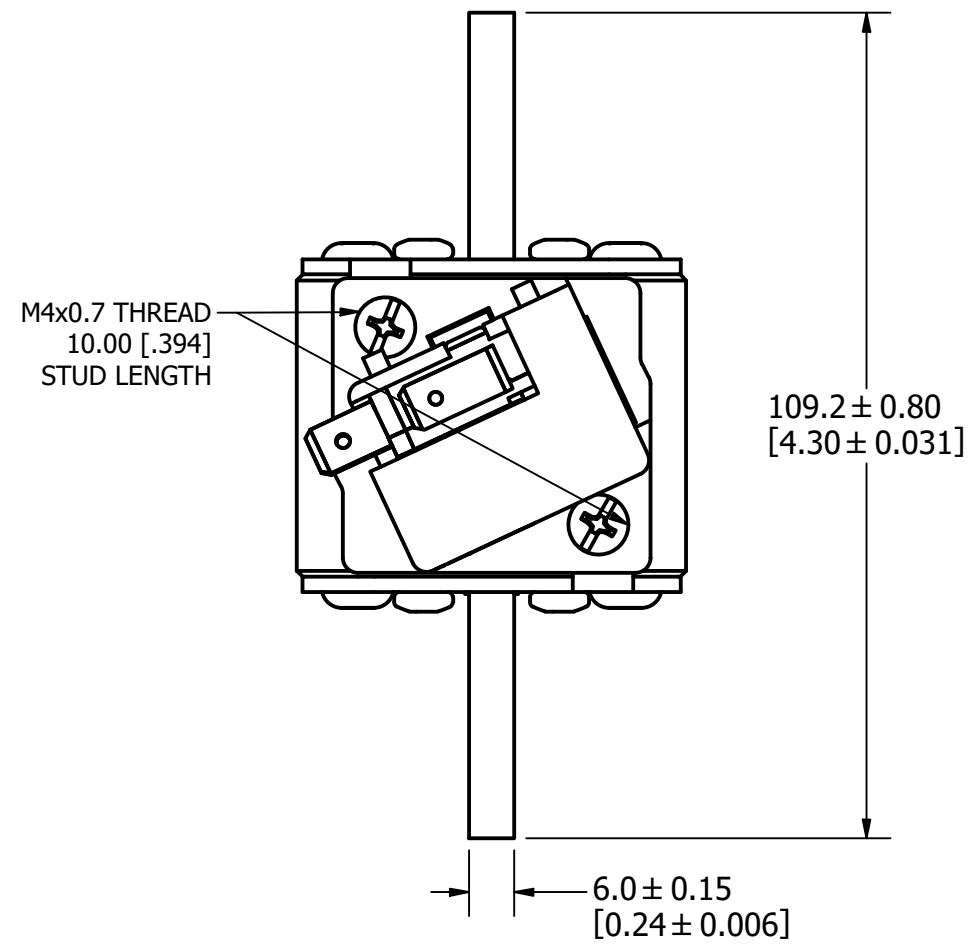
Littelfuse CHICAGO, ILLINOIS 60631	REVISION D	DRWG NO. OL-PSR030DS0000	SHEET 1 OF 1
--	------------	--------------------------	--------------

MOUNTING SPECS:

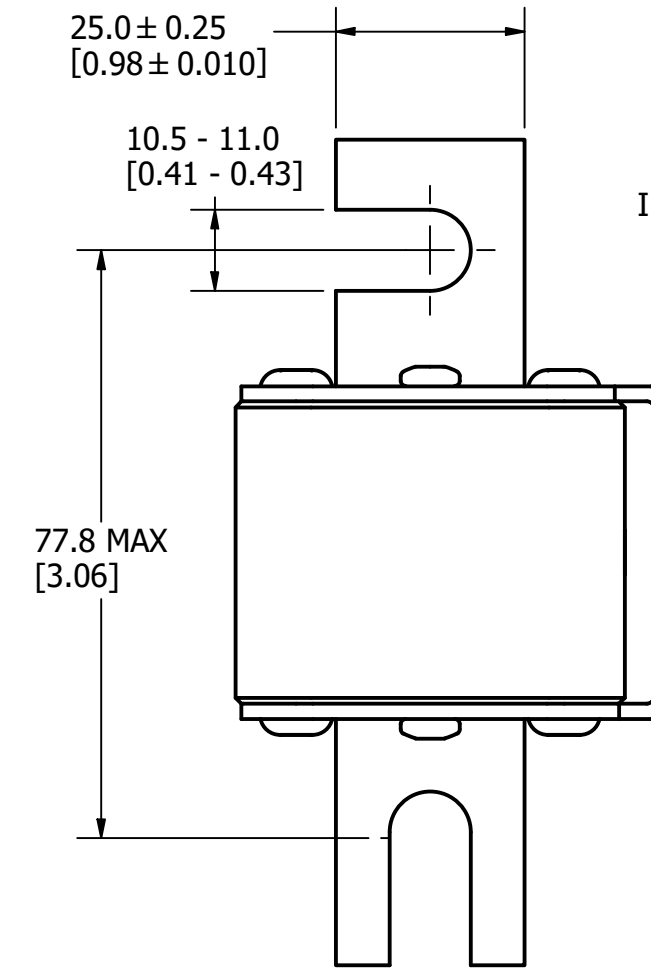
RECOMMENDED FASTENER: M10 OR 3/8"
TIGHTENING TORQUE (REFERENCE ONLY): 26Nm

REVISION		
REV	DATE	DESCRIPTION
A	3/11/20	522093GCP - RELEASE MRY
B	4/20/20	522239ECP/D - ADD TOLERANCES MRY
C	5/10/22	525179ECP/D - CHANGE HEIGHT DIMENSION MRY
D	1/11/24	526835ECP/D - ADDED VIEW WITHOUT MICRO-SWITCH JTM

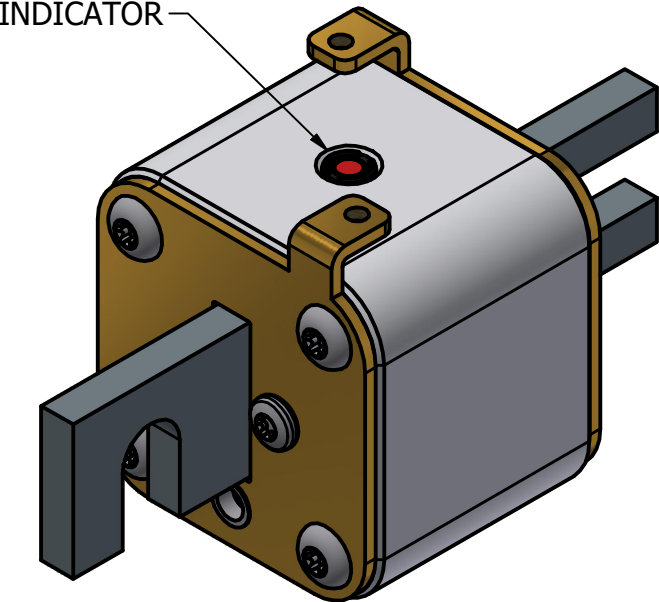
FUSE WITH MICRO-SWITCH



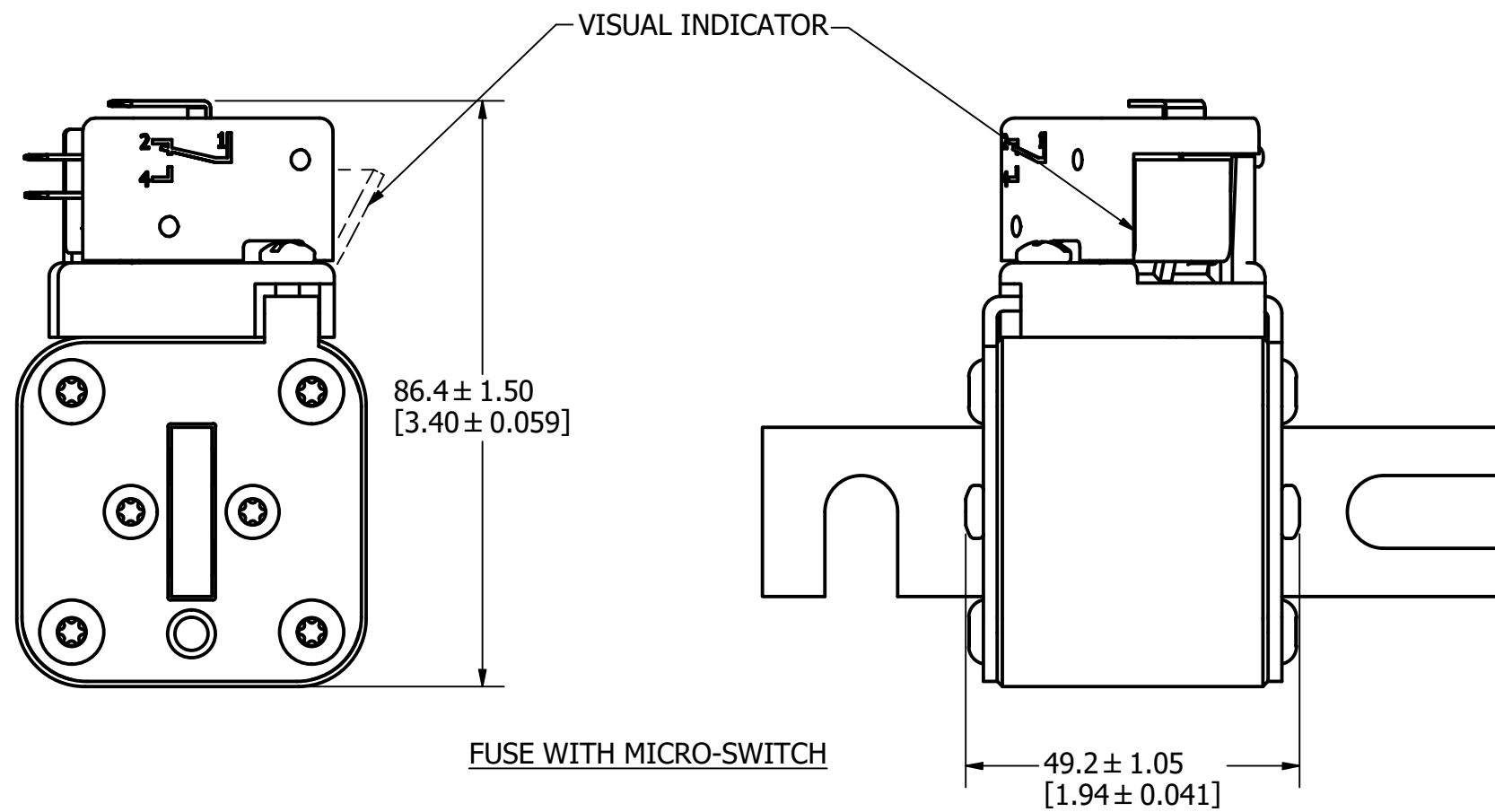
FUSE



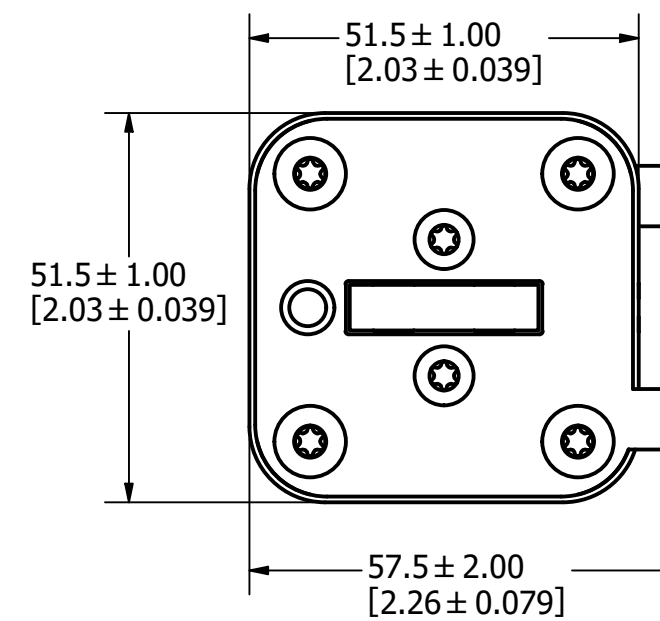
INTERNAL INDICATOR



VISUAL INDICATOR



FUSE WITH MICRO-SWITCH



FOR REFERENCE ONLY

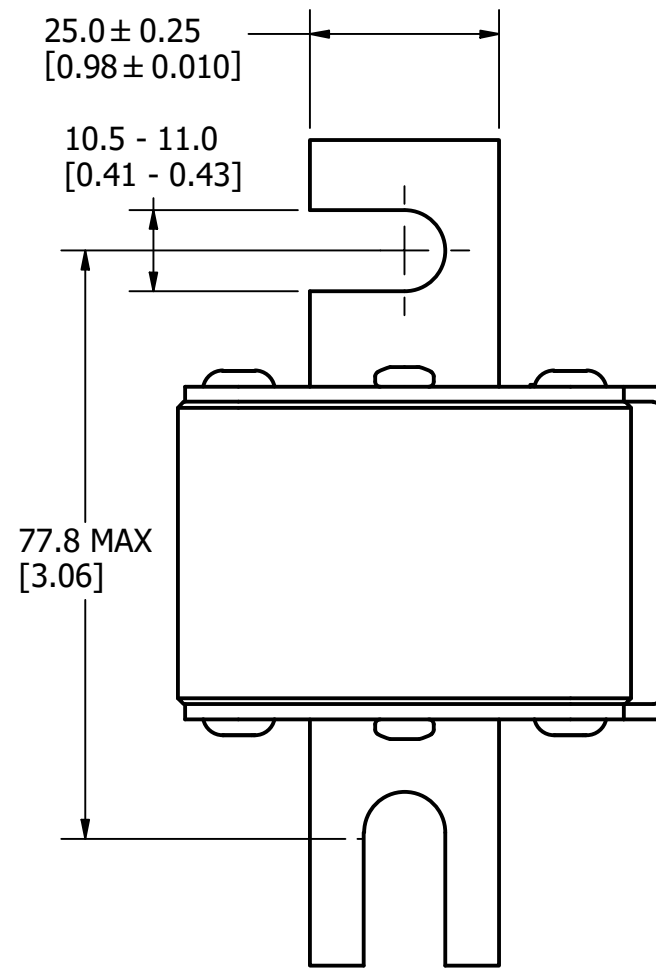
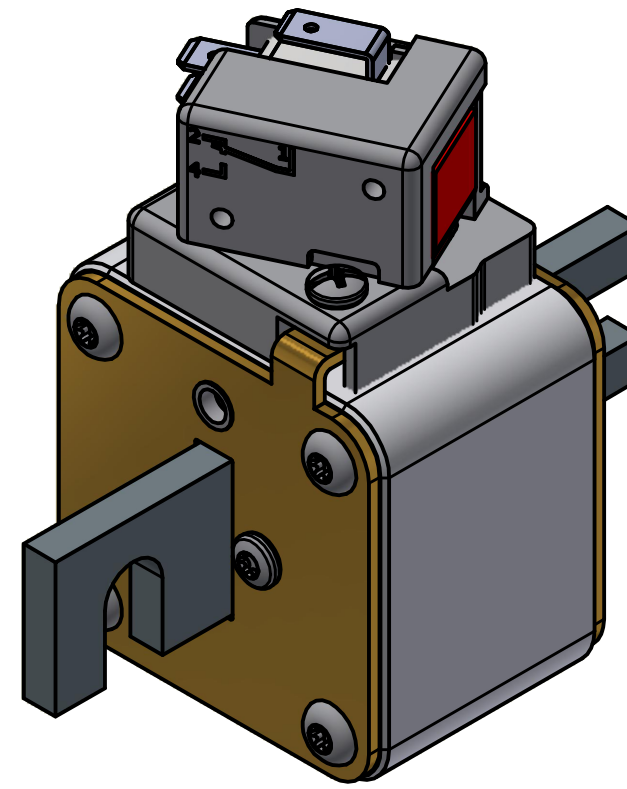
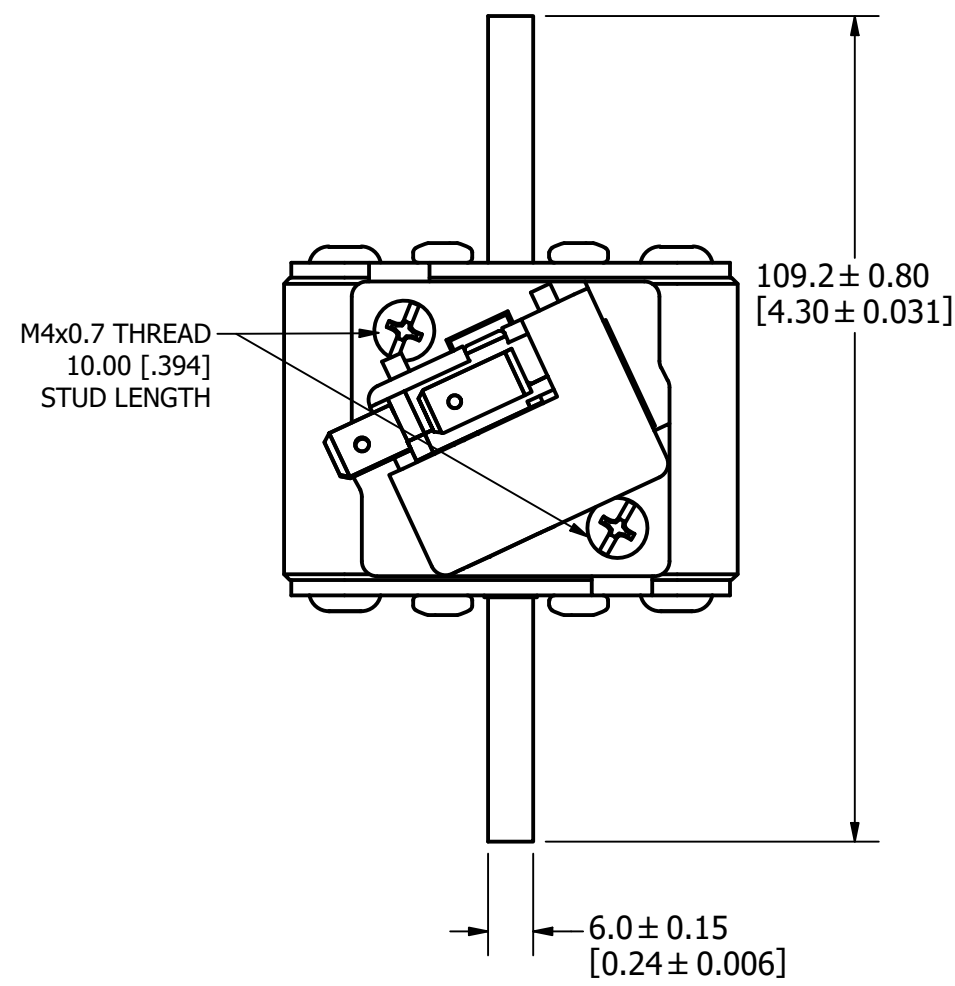
<S>	CRITICAL CHARACTERISTIC FOR PART SAFETY/COMPLIANCE		
●	DENOTES CRITICAL CHARACTERISTICS.		
CPK	DENOTES CPK DIMENSIONS, -MINIMUM CPK VALUE		
(ST)	DENOTES A CHARACTERISTIC THAT PROVIDES AN INDICATION OF PROCESS PERFORMANCE. PROCEDURE FOR MEASUREMENT AND TRACKING TO BE DEFINED IN LITTELFUSE INSPECTION INSTRUCTIONS.		
CP	DENOTES CP DIMENSIONS, -MINIMUM CP VALUE MUST BE WITHIN THE DIMENSIONAL LIMITATIONS SHOWN ON DRAWING AND INITIALLY LOCATED TO ALLOW FOR MAXIMUM TOOL LIFE.		
MATL SPEC		FINISH	
DRW myork	DATE 12/31/1969	SCALE NTS	FINISH GOOD WT GRAMS/PIECE
UNLESS OTHERWISE SPECIFIED, DIMENSIONS ARE IN MILLIMETERS, DIMENSIONS IN BRACKETS [] ARE INCHES DIMENSIONING AND DO NOT INCLUDE PLATING. TOLERANCING TO BE INTERPRETED IN ACCORDANCE WITH ANSI Y14.5M-1994			
3RD ANGLE PROJECTION			
TITLE PSR SIZE 31 DIN 80 (DS) FUSE OUTLINE			
Littelfuse® CHICAGO, ILLINOIS 60631		REVISION D	DRWG NO. OL-PSR031DS0000 SHEET 1 OF 1

MOUNTING SPECS:

RECOMMENDED FASTENER: M10 OR 3/8"
TIGHTENING TORQUE (REFERENCE ONLY): 26Nm

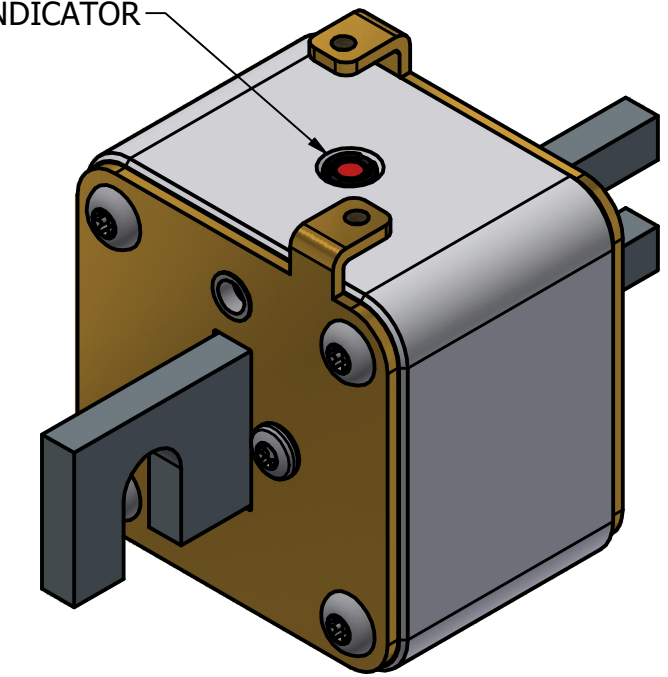
REVISION		
REV	DATE	DESCRIPTION
A	3/11/20	522093GCP - RELEASE MRY
B	4/20/20	522239ECP/D - ADD TOLERANCES MRY
C	5/10/22	525179ECP/D - CHANGE HEIGHT DIMENSION MRY
D	1-12-24	526835ECP/D - ADDED VIEW WITHOUT MICRO-SWITCH JTM

FUSE WITH MICRO-SWITCH

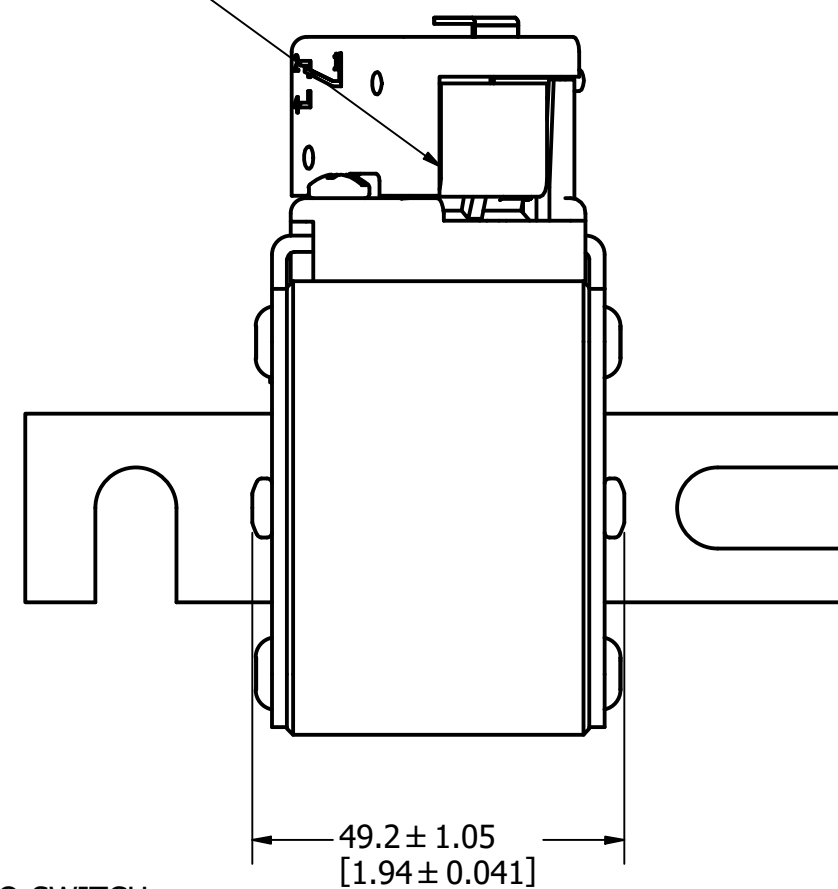
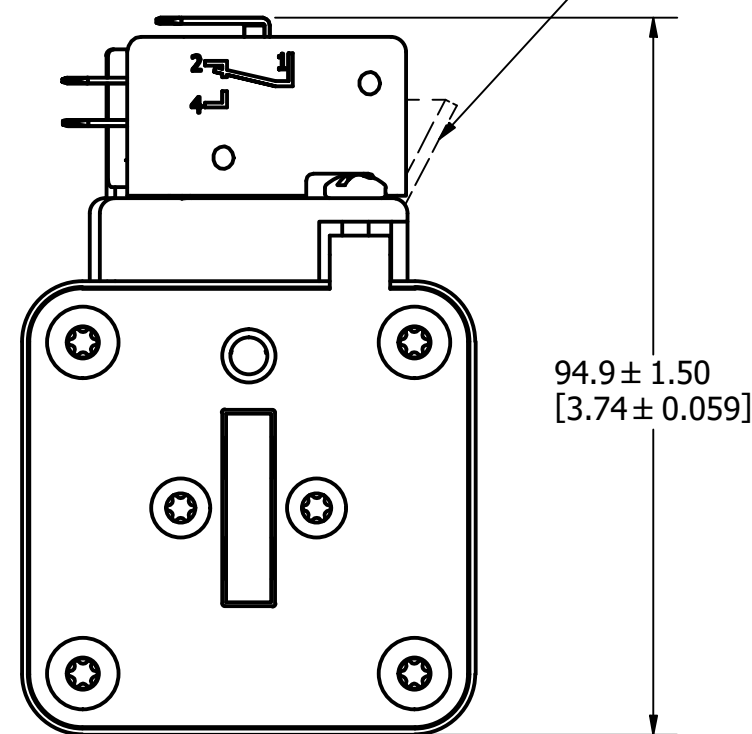


FUSE

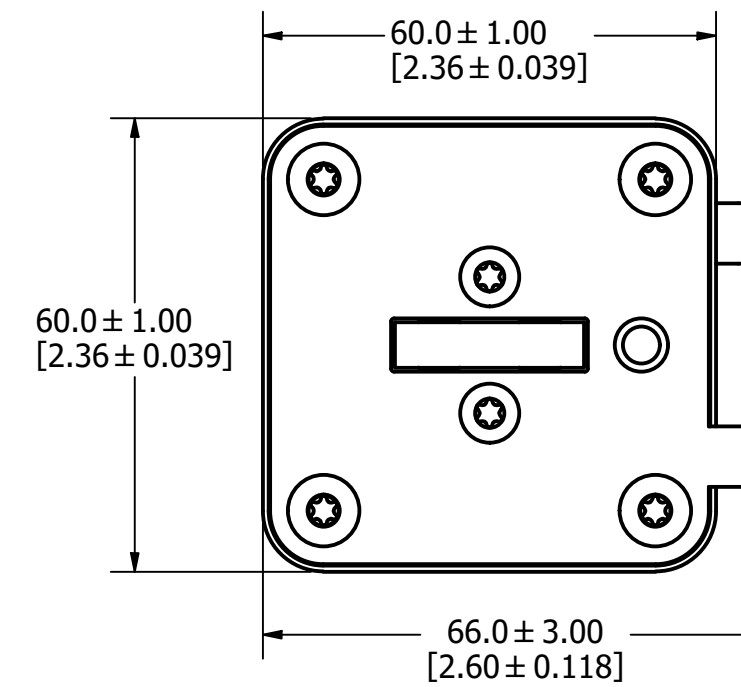
INTERNAL INDICATOR



VISUAL INDICATOR



FUSE WITH MICRO-SWITCH



FOR REFERENCE ONLY

<S>	CRITICAL CHARACTERISTIC FOR PART SAFETY/COMPLIANCE
●	DENOTES CRITICAL CHARACTERISTICS.
CPK	DENOTES CPK DIMENSIONS, -MINIMUM CPK VALUE
(ST)	DENOTES A CHARACTERISTIC THAT PROVIDES AN INDICATION OF PROCESS PERFORMANCE. PROCEDURE FOR MEASUREMENT AND TRACKING TO BE DEFINED IN LITTELFUSE INSPECTION INSTRUCTIONS.
CP	DENOTES CP DIMENSIONS, -MINIMUM CP VALUE MUST BE WITHIN THE DIMENSIONAL LIMITATIONS SHOWN ON DRAWING AND INITIALLY LOCATED TO ALLOW FOR MAXIMUM TOOL LIFE.

MATL SPEC		FINISH	
DRW myork	DATE 1/12/2024	SCALE NTS	FINISH GOOD WT GRAMS/PIECE

UNLESS OTHERWISE SPECIFIED, DIMENSIONS ARE IN MILLIMETERS, DIMENSIONS IN BRACKETS [] ARE INCHES DIMENSIONING AND DO NOT INCLUDE PLATING. TOLERANCING TO BE INTERPRETED IN ACCORDANCE WITH ANSI Y14.5M-1994

3RD ANGLE PROJECTION	
----------------------	--

TITLE PSR SIZE 32 DIN 80 (DS) FUSE OUTLINE

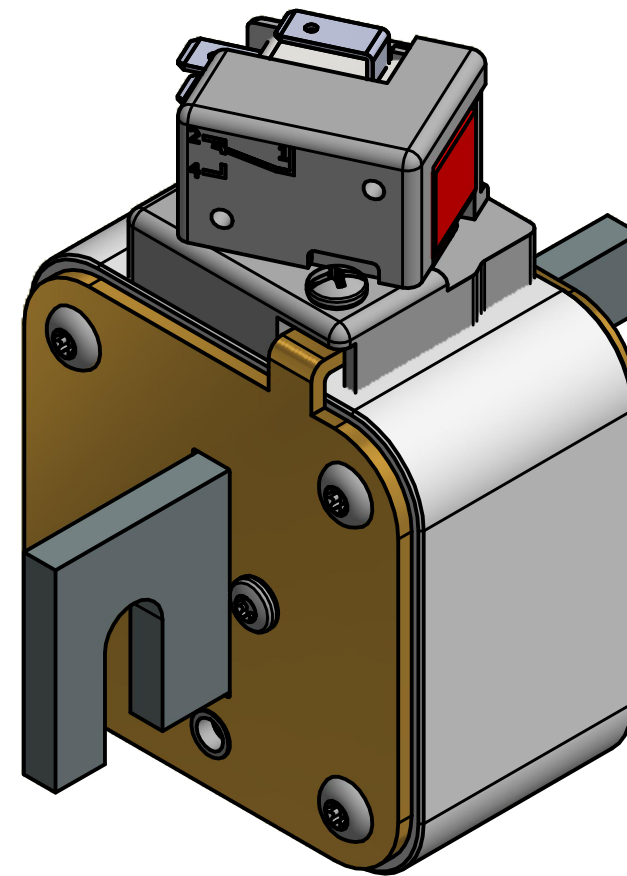
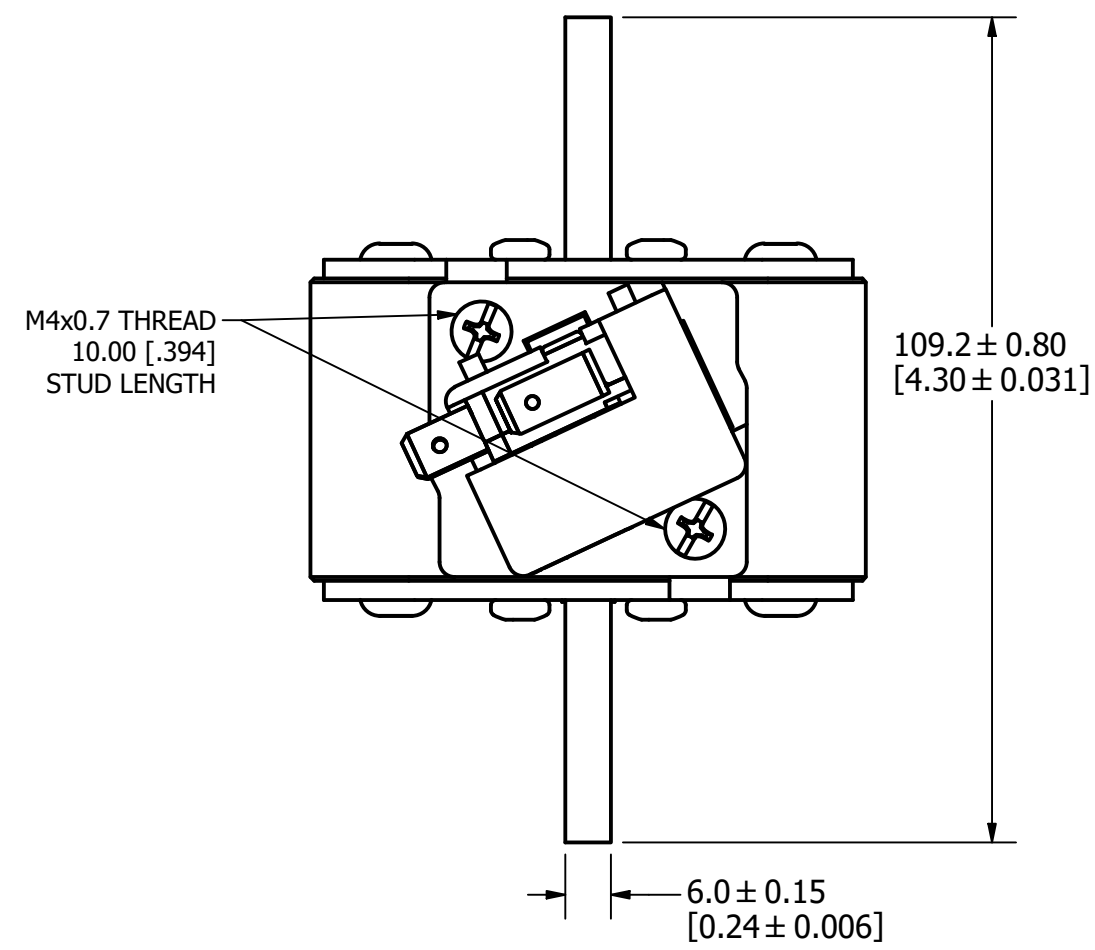
Littelfuse CHICAGO, ILLINOIS 60631	REVISION D	DRWG NO. OL-PSR032DS0000	SHEET 1 OF 1
--	------------	--------------------------	--------------

MOUNTING SPECS:

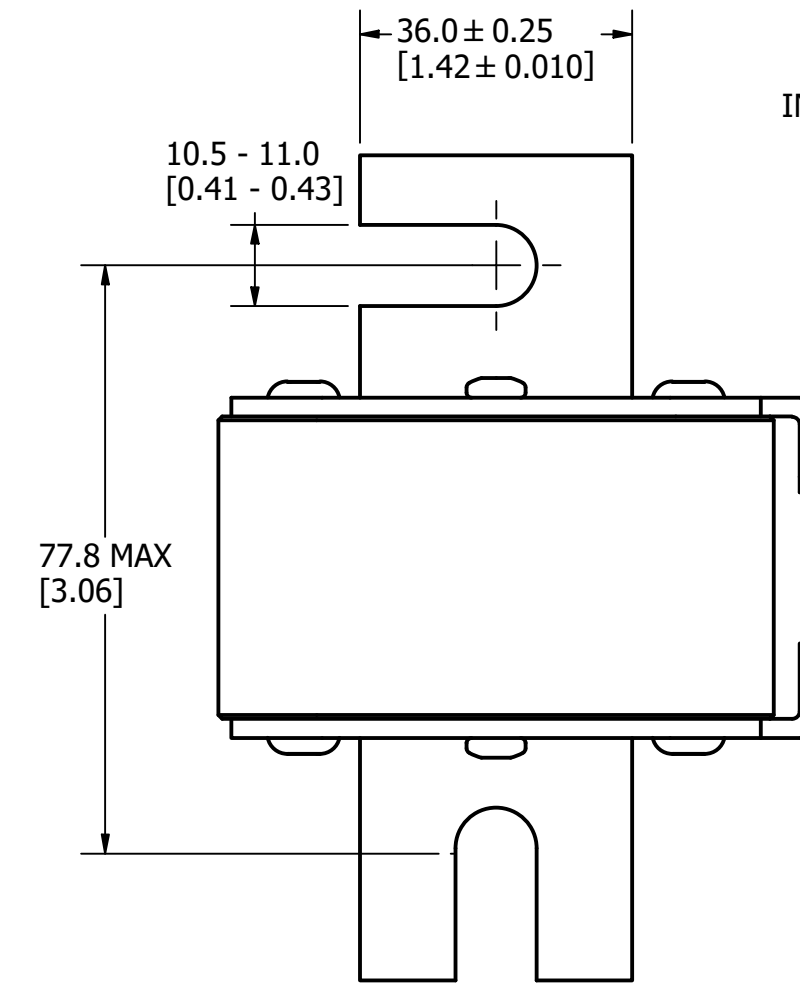
RECOMMENDED FASTENER: M10 OR 3/8"
TIGHTENING TORQUE (REFERENCE ONLY): 26Nm

REVISION		
REV	DATE	DESCRIPTION
A	3/11/20	522093GCP - RELEASE MRY
B	4/20/20	522239ECP/D - ADD TOLERANCES MRY
C	5/10/22	525179ECP/D - CHANGE HEIGHT DIMENSION MRY
D	1/17/24	526835CP/D - ADDED VIEW WITHOUT MICRO-SWITCH JTM

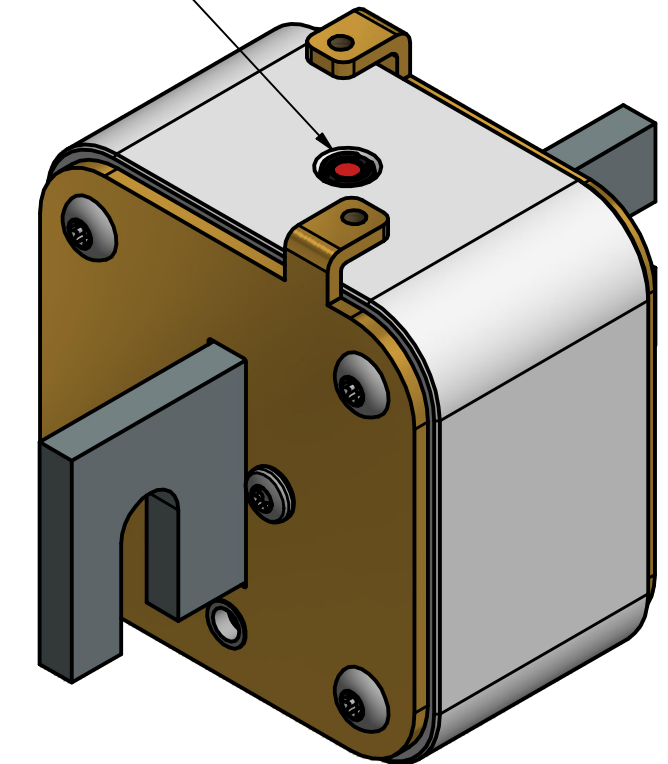
FUSE WITH MICRO-SWITCH



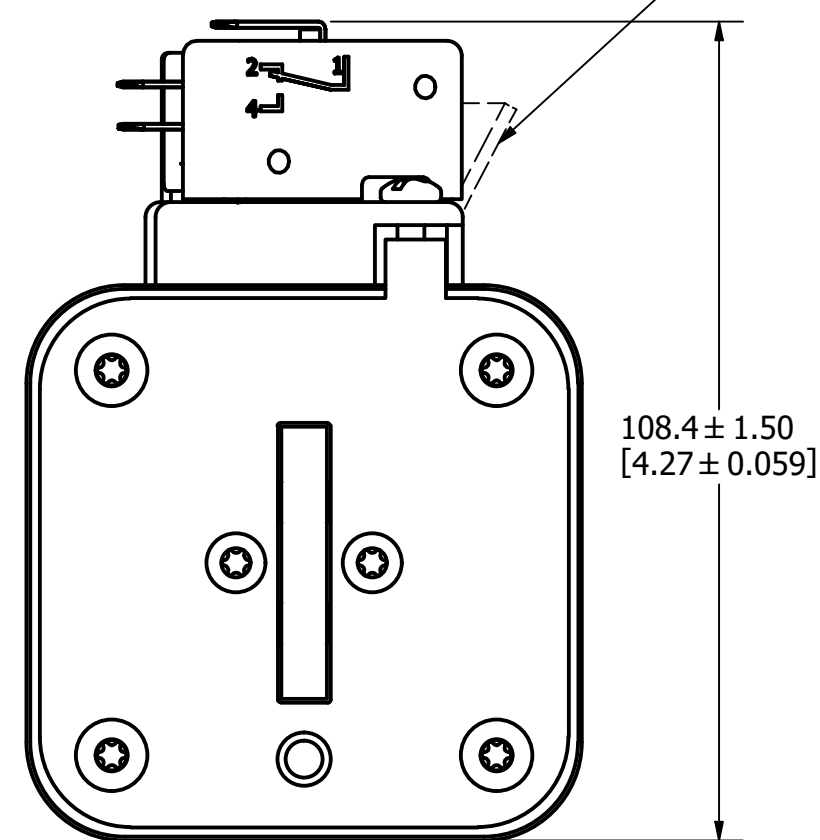
FUSE



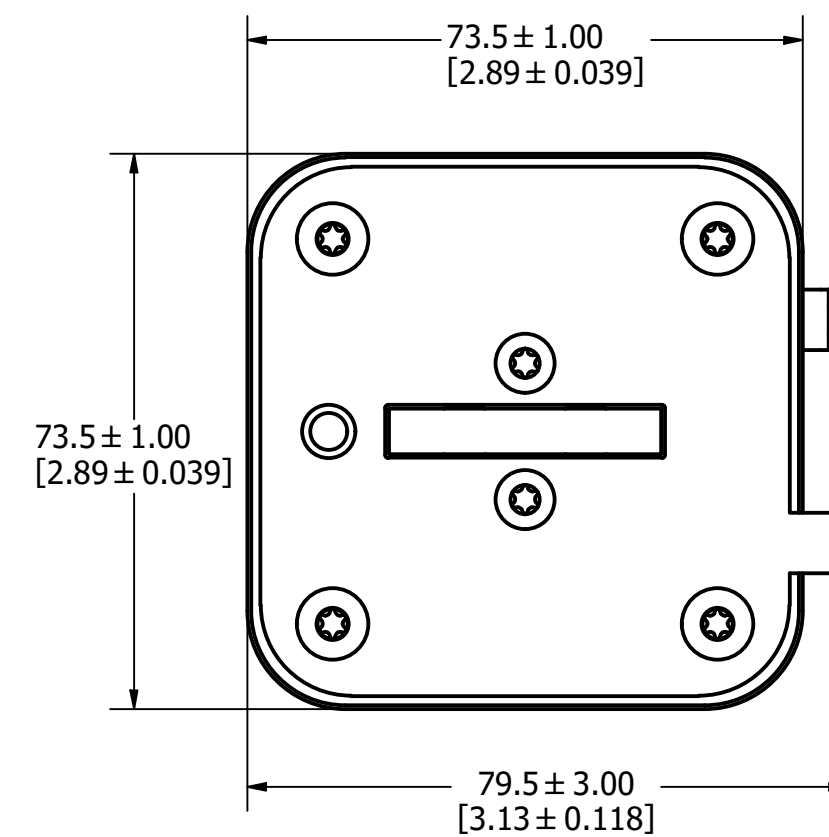
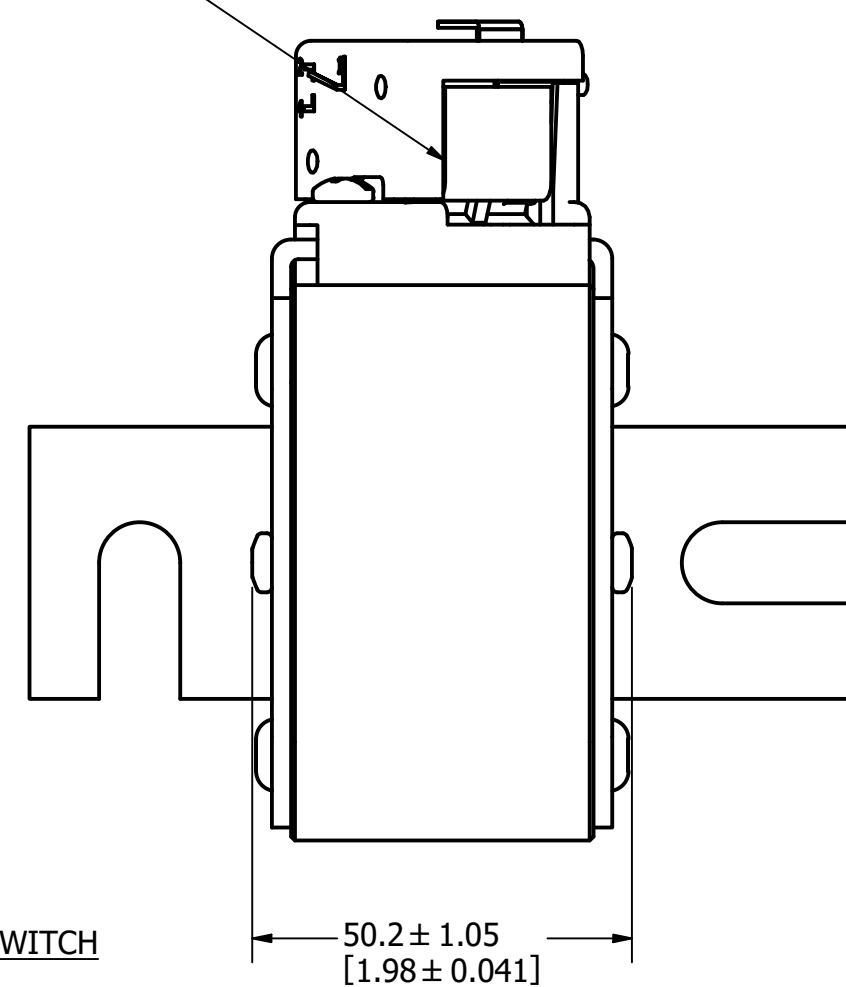
INTERNAL INDICATOR



VISUAL INDICATOR



FUSE WITH MICRO-SWITCH



FOR REFERENCE ONLY

<S>	CRITICAL CHARACTERISTIC FOR PART SAFETY/COMPLIANCE		
●	DENOTES CRITICAL CHARACTERISTICS.		
CPK	DENOTES CPK DIMENSIONS, -MINIMUM CPK VALUE		
(ST)	DENOTES A CHARACTERISTIC THAT PROVIDES AN INDICATION OF PROCESS PERFORMANCE. PROCEDURE FOR MEASUREMENT AND TRACKING TO BE DEFINED IN LITTELFUSE INSPECTION INSTRUCTIONS.		
CP	DENOTES CP DIMENSIONS, -MINIMUM CP VALUE MUST BE WITHIN THE DIMENSIONAL LIMITATIONS SHOWN ON DRAWING AND INITIALLY LOCATED TO ALLOW FOR MAXIMUM TOOL LIFE.		
MATL SPEC		FINISH	
DRW myork	DATE 12/31/1969	SCALE NTS	FINISH GOOD WT GRAMS/PIECE
UNLESS OTHERWISE SPECIFIED, DIMENSIONS ARE IN MILLIMETERS, DIMENSIONS IN BRACKETS [] ARE INCHES DIMENSIONING AND DO NOT INCLUDE PLATING. TOLERANCING TO BE INTERPRETED IN ACCORDANCE WITH ANSI Y14.5M-1994			
3RD ANGLE PROJECTION			
TITLE PSR SIZE 33 DIN 80 (DS) FUSE OUTLINE			
Littelfuse® CHICAGO, ILLINOIS 60631		REVISION D	DRWG NO. OL-PSR033DS0000
		SHEET 1 OF 1	