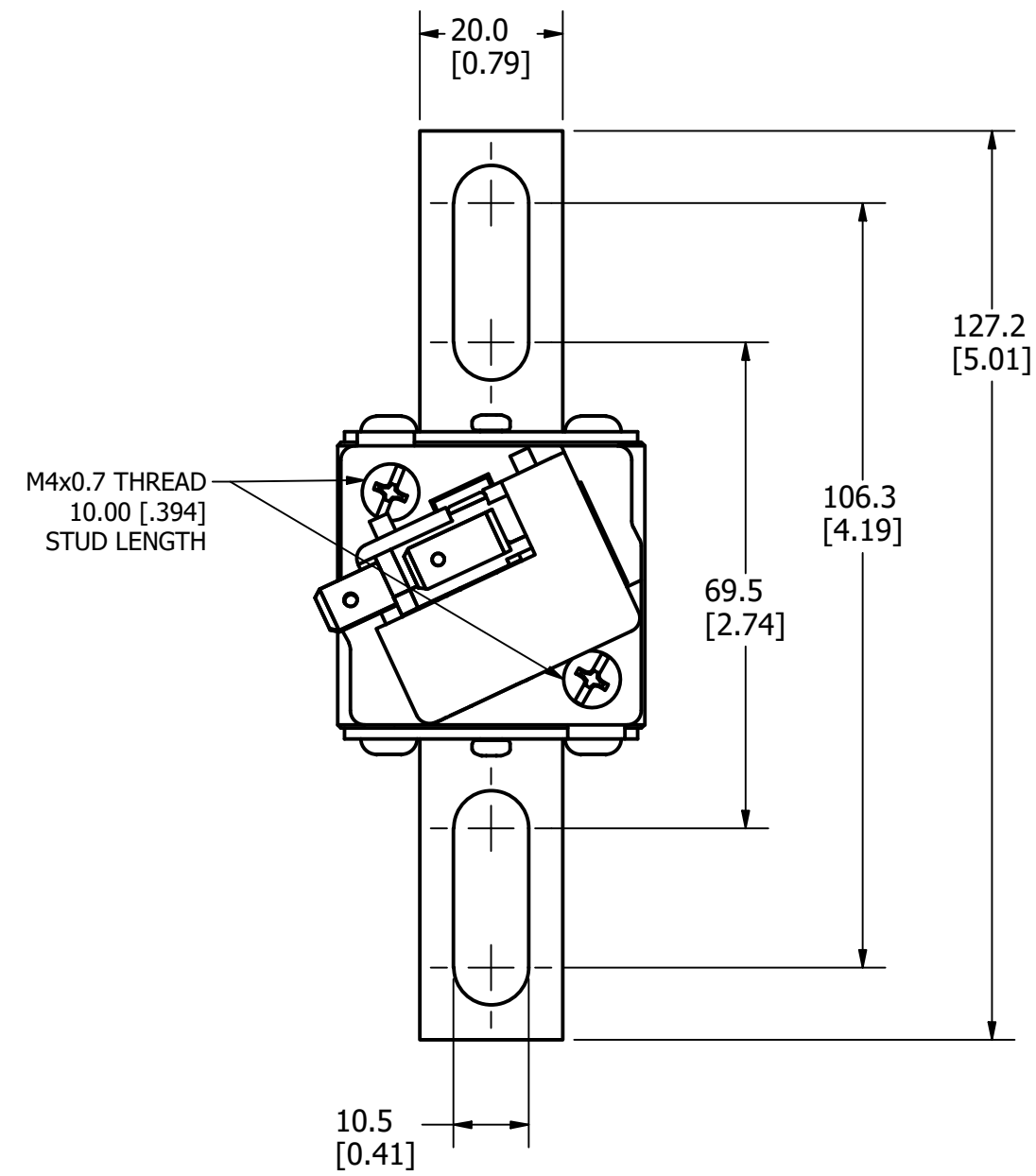


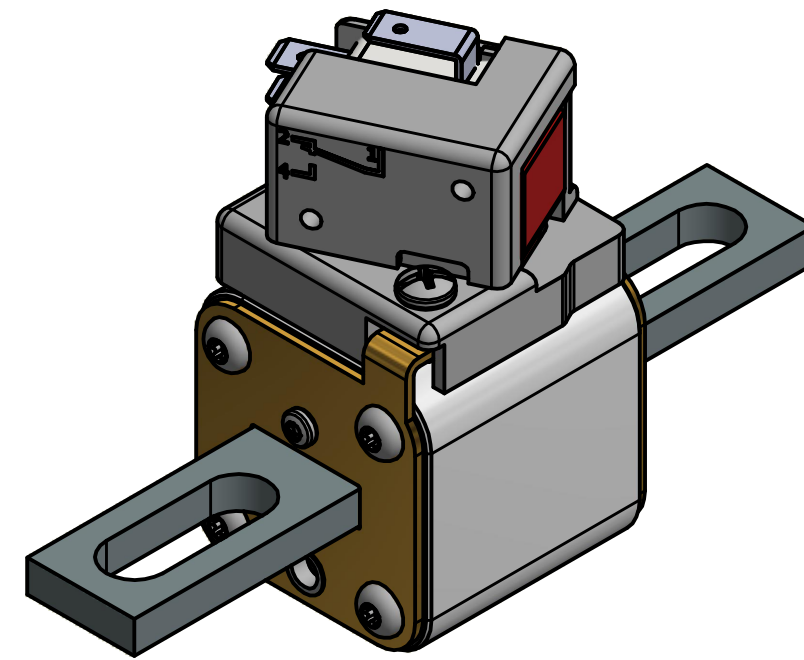
MOUNTING SPECS:

RECOMMENDED FASTENER: M10 OR 3/8"
TIGHTENING TORQUE (REFERENCE ONLY): 26Nm

| REVISION | | |
|----------|---------|---|
| REV | DATE | DESCRIPTION |
| A | 3/4/20 | 522052GCP - RELEASE MRY |
| B | 5/10/22 | 525179ECP/D - CHANGE HEIGHT DIMENSION, ADD TOLERANCES MRY |
| C | 1/10/24 | 526835ECP/D - ADDED VIEW WITHOUT MICRO-SWITCH JTM |

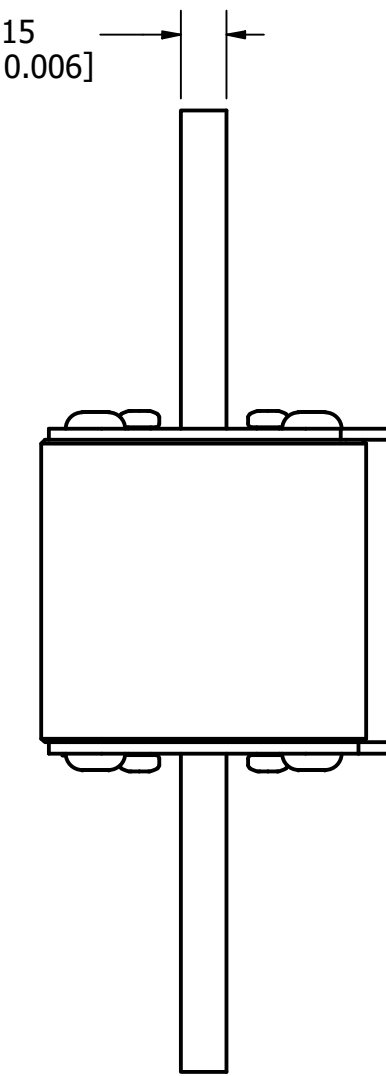


FUSE WITH MICRO-SWITCH

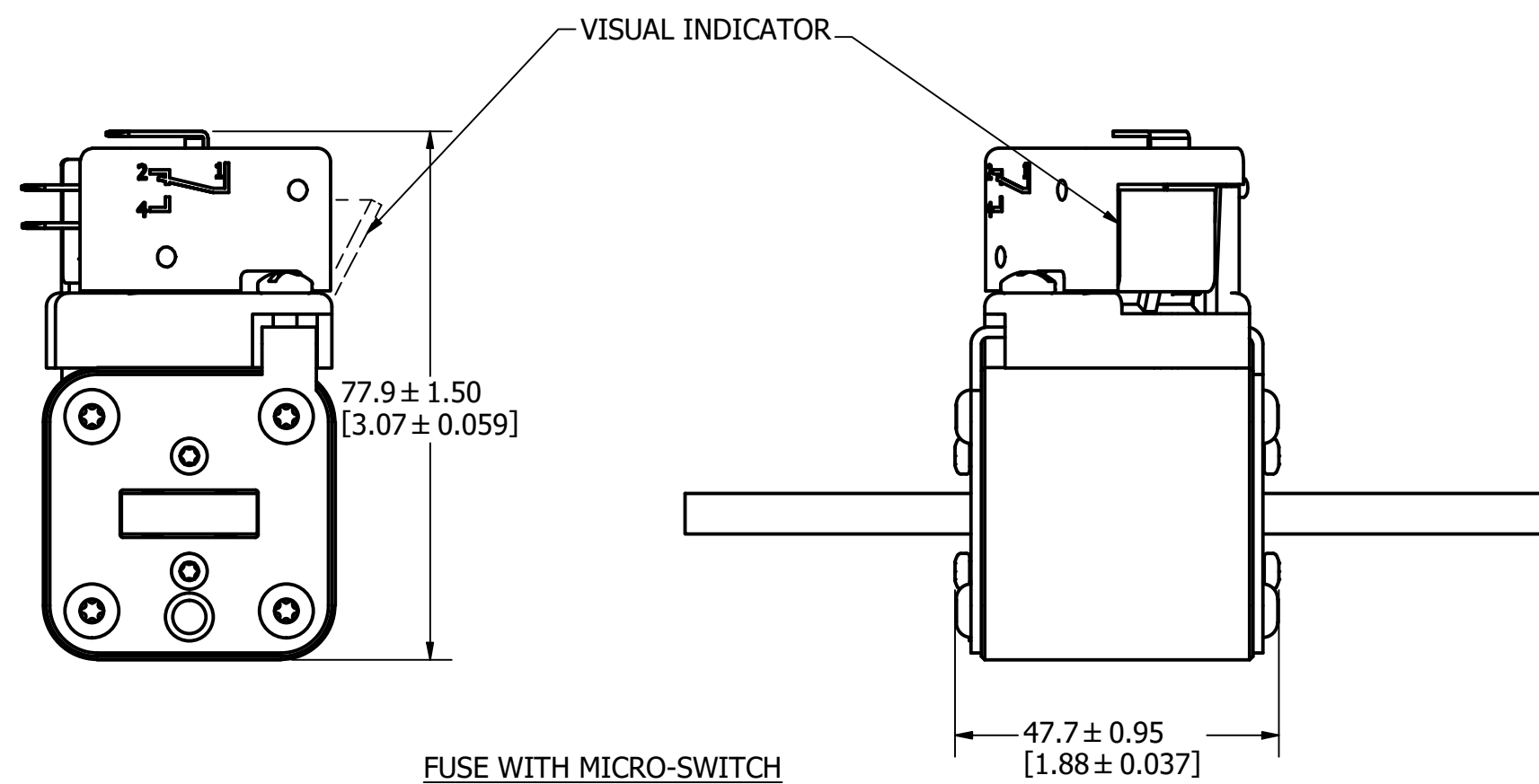
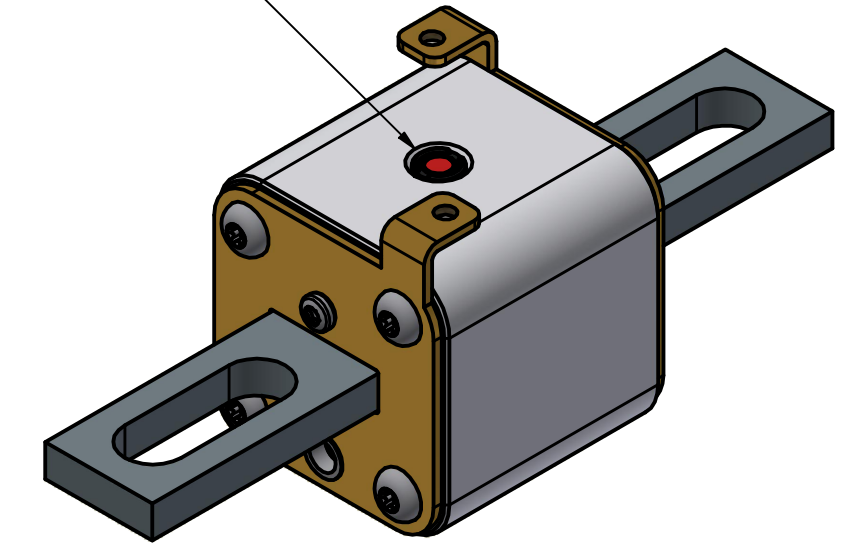


6.0 ± 0.15
[0.24 ± 0.006]

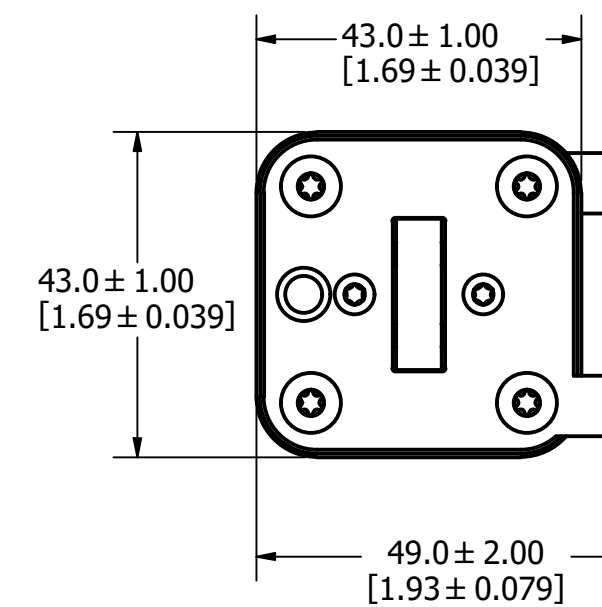
FUSE



INTERNAL INDICATOR



FUSE WITH MICRO-SWITCH



FOR REFERENCE ONLY

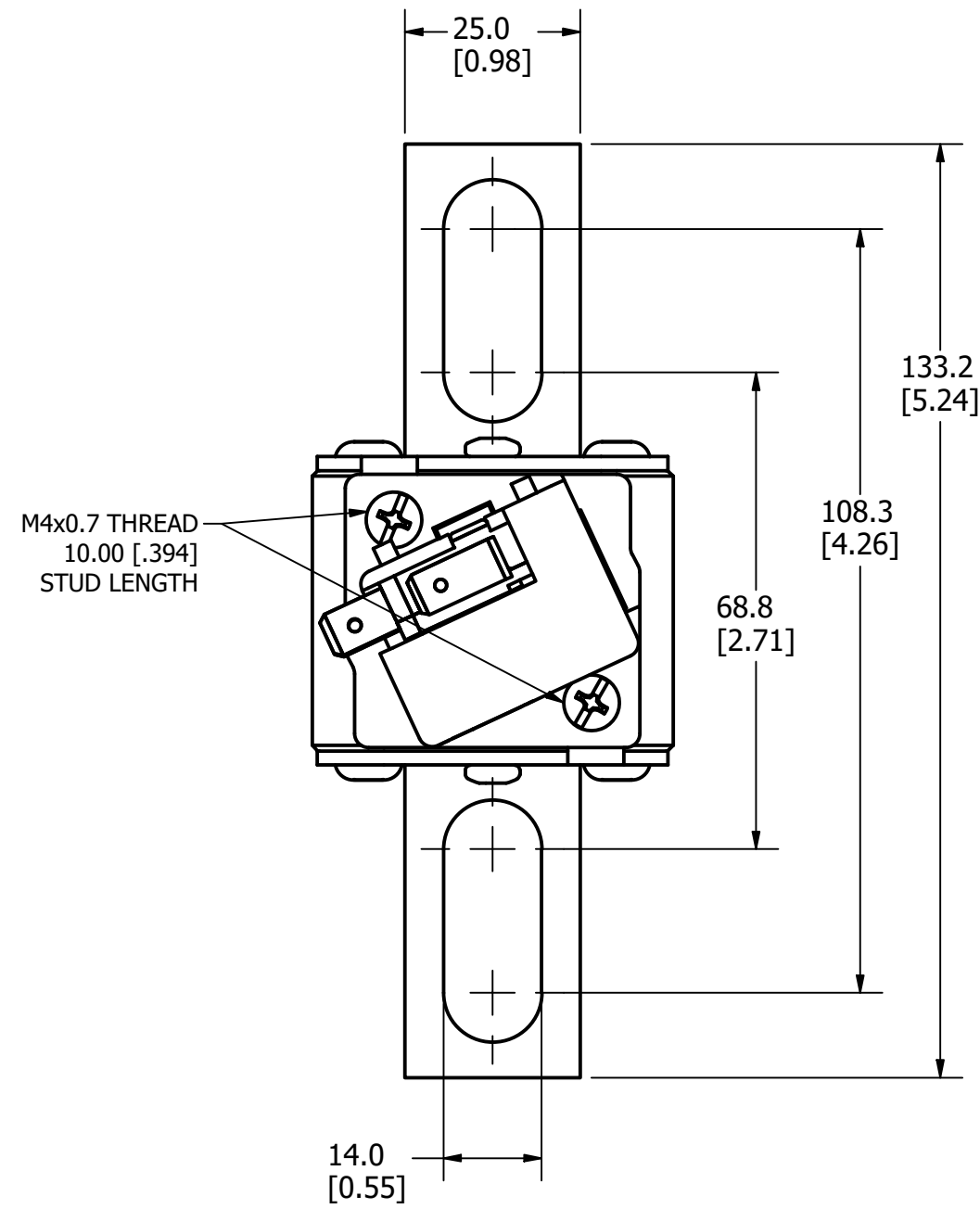
| | | | |
|---|--|-----------|----------------------------|
| <S> | CRITICAL CHARACTERISTIC FOR PART SAFETY/COMPLIANCE | | |
| ● | DENOTES CRITICAL CHARACTERISTICS. | | |
| CPK | DENOTES CPK DIMENSIONS, -MINIMUM CPK VALUE | | |
| (ST) | DENOTES A CHARACTERISTIC THAT PROVIDES AN INDICATION OF PROCESS PERFORMANCE. PROCEDURE FOR MEASUREMENT AND TRACKING TO BE DEFINED IN LITTELFUSE INSPECTION INSTRUCTIONS. | | |
| CP | DENOTES CP DIMENSIONS, -MINIMUM CP VALUE MUST BE WITHIN THE DIMENSIONAL LIMITATIONS SHOWN ON DRAWING AND INITIALLY LOCATED TO ALLOW FOR MAXIMUM TOOL LIFE. | | |
| MATL SPEC | | FINISH | |
| DRW myork | DATE 1/31/2024 | SCALE NTS | FINISH GOOD WT GRAMS/PIECE |
| UNLESS OTHERWISE SPECIFIED, DIMENSIONS ARE IN MILLIMETERS, DIMENSIONS IN BRACKETS [] ARE INCHES DIMENSIONING AND DO NOT INCLUDE PLATING. TOLERANCING TO BE INTERPRETED IN ACCORDANCE WITH ANSI Y14.5M-1994 | | | |
| 3RD ANGLE PROJECTION | | | |

| | | | |
|--|------------|--------------------------|--------------|
| TITLE PSR SIZE 30 NORTH AMERICAN SHORT (US) FUSE OUTLINE | | | |
| Littelfuse CHICAGO, ILLINOIS 60631 | REVISION C | DRWG NO. OL-PSR030US0000 | SHEET 1 OF 1 |

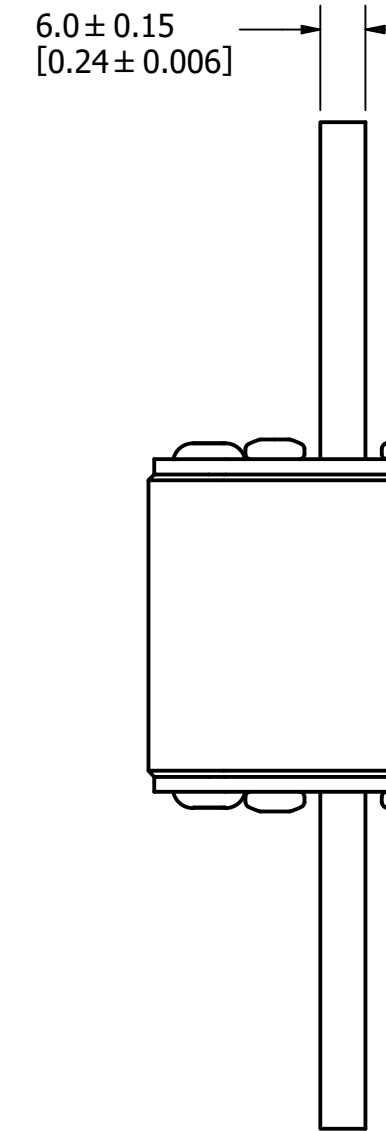
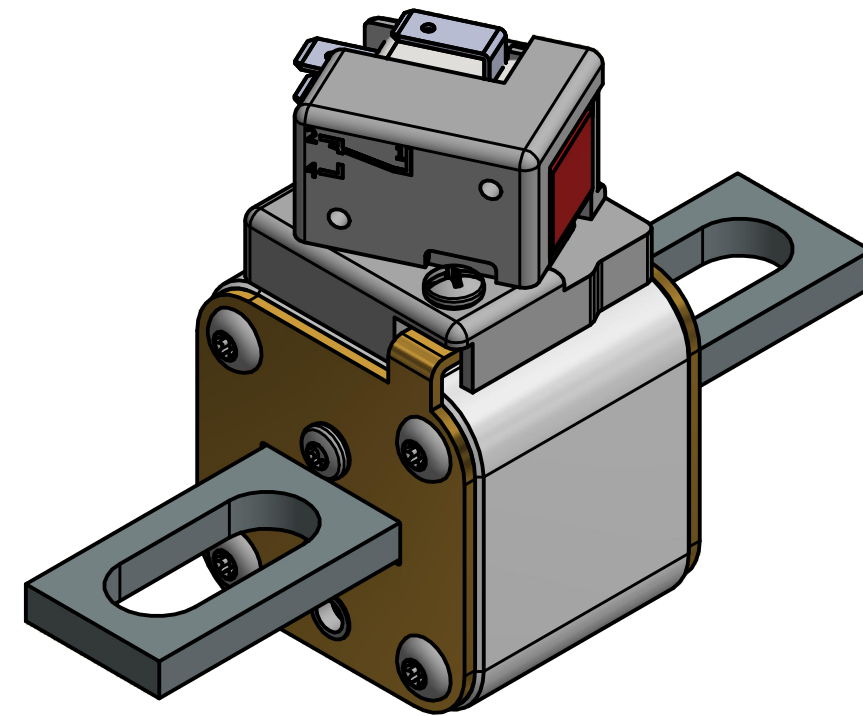
MOUNTING SPECS:

RECOMMENDED FASTENER: M12 OR 1/2"
TIGHTENING TORQUE (REFERENCE ONLY): 64Nm

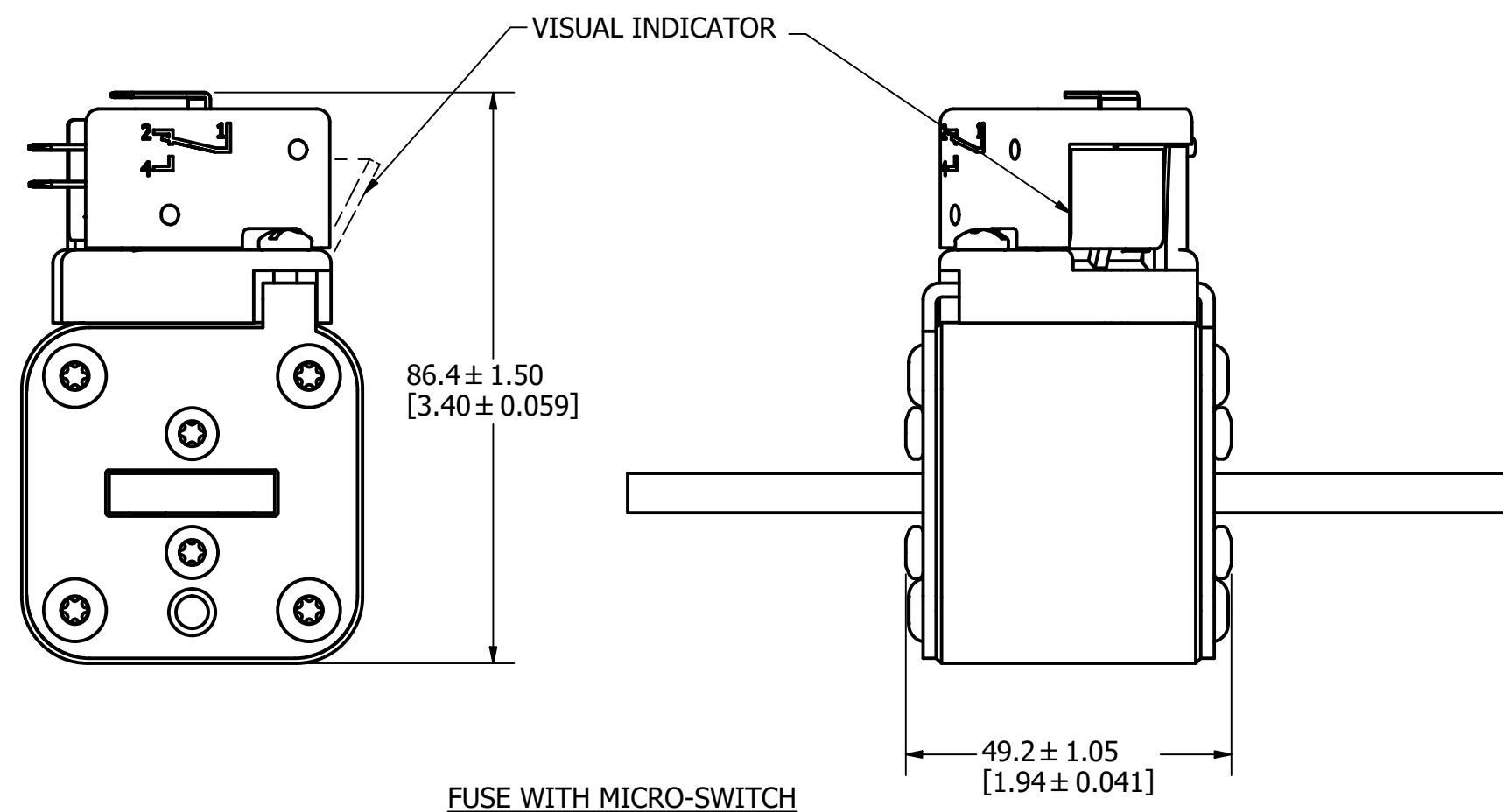
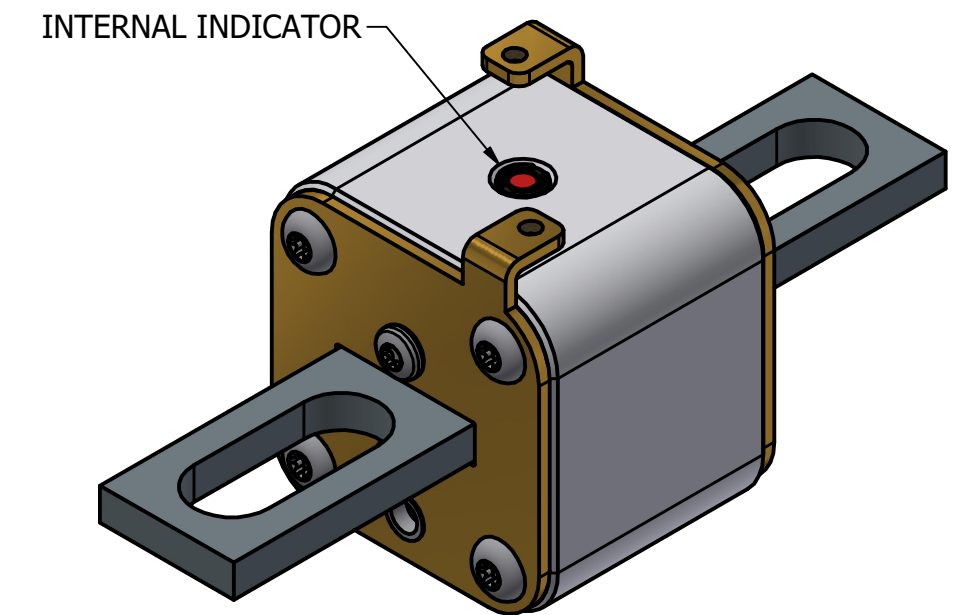
| REVISION | | |
|----------|---------|---|
| REV | DATE | DESCRIPTION |
| A | 3/4/20 | 522052GCP - RELEASE MRY |
| B | 5/10/22 | 525179ECP/D - CHANGE HEIGHT DIMENSION, ADD TOLERANCES MRY |
| C | 1/12/24 | 526835ECP/D - ADDED VIEW WITHOUT MICRO-SWITCH JTM |



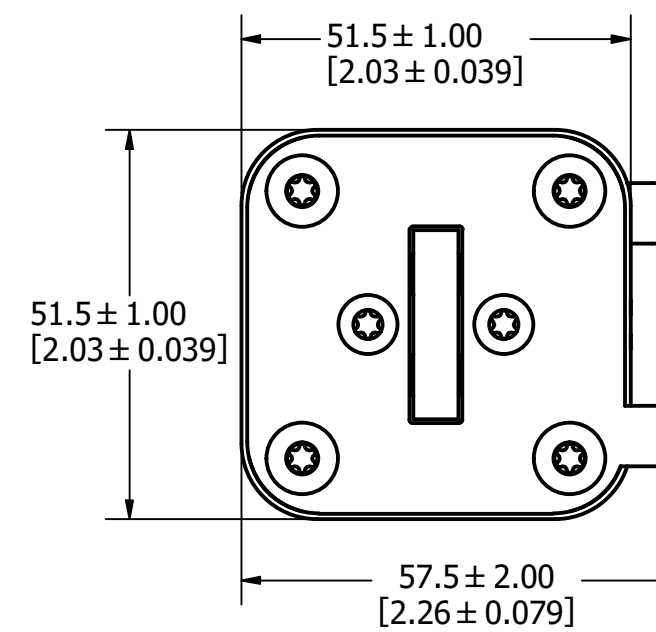
FUSE WITH MICRO-SWITCH



FUSE



FUSE WITH MICRO-SWITCH



FOR REFERENCE ONLY

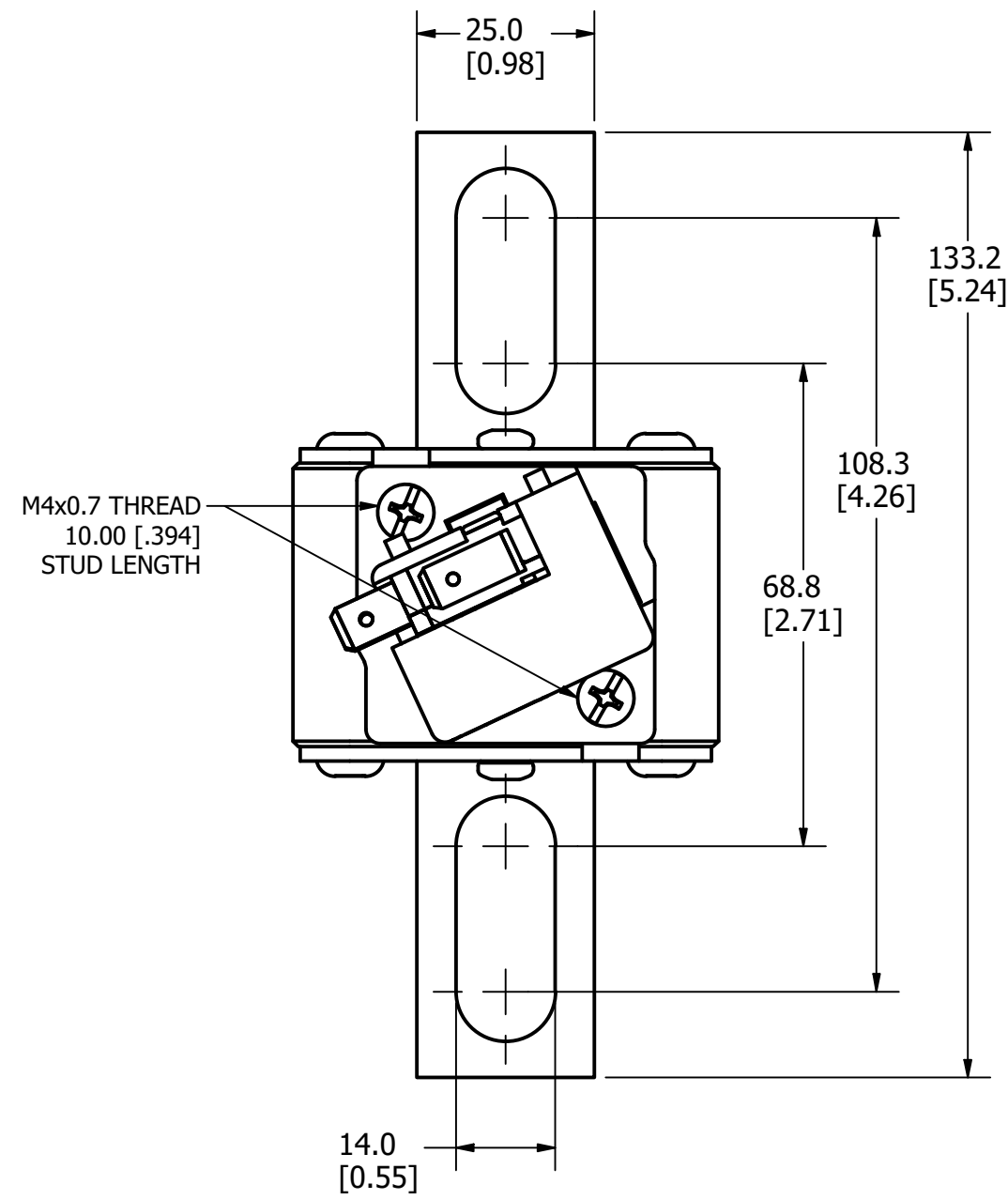
| | | | |
|---|--|-----------|----------------------------|
| <S> | CRITICAL CHARACTERISTIC FOR PART SAFETY/COMPLIANCE | | |
| ● | DENOTES CRITICAL CHARACTERISTICS. | | |
| CPK | DENOTES CPK DIMENSIONS, -MINIMUM CPK VALUE | | |
| (ST) | DENOTES A CHARACTERISTIC THAT PROVIDES AN INDICATION OF PROCESS PERFORMANCE. PROCEDURE FOR MEASUREMENT AND TRACKING TO BE DEFINED IN LITTELFUSE INSPECTION INSTRUCTIONS. | | |
| CP | DENOTES CP DIMENSIONS, -MINIMUM CP VALUE MUST BE WITHIN THE DIMENSIONAL LIMITATIONS SHOWN ON DRAWING AND INITIALLY LOCATED TO ALLOW FOR MAXIMUM TOOL LIFE. | | |
| MATL SPEC | FINISH | | |
| DRW myork | DATE 1/12/2024 | SCALE NTS | FINISH GOOD WT GRAMS/PIECE |
| UNLESS OTHERWISE SPECIFIED, DIMENSIONS ARE IN MILLIMETERS, DIMENSIONS IN BRACKETS [] ARE INCHES DIMENSIONING AND DO NOT INCLUDE PLATING. TOLERANCING TO BE INTERPRETED IN ACCORDANCE WITH ANSI Y14.5M-1994 | | | |
| 3RD ANGLE PROJECTION | | | |

TITLE PSR SIZE 31 NORTH AMERICAN SHORT (US) FUSE OUTLINE

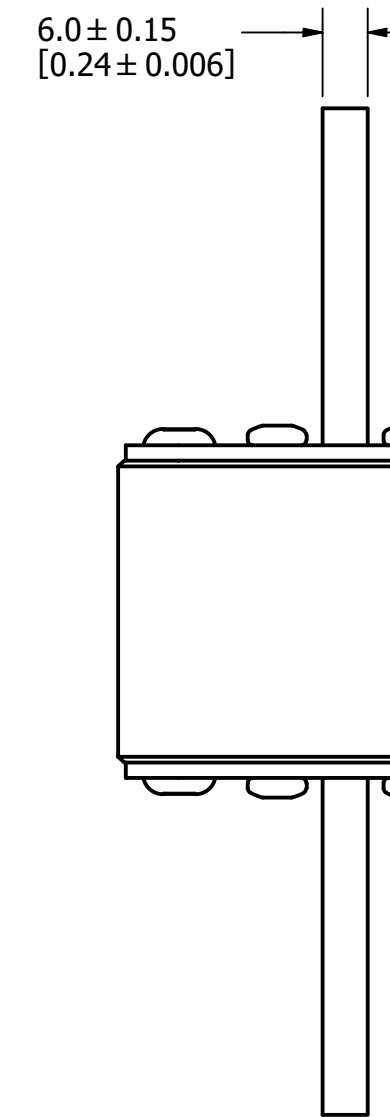
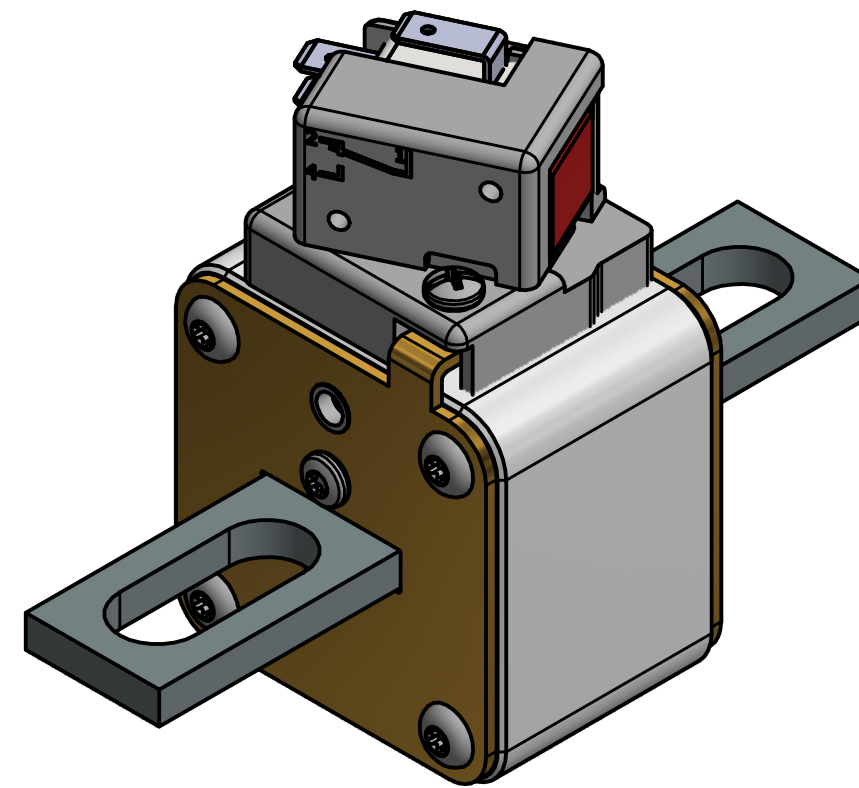
MOUNTING SPECS:

RECOMMENDED FASTENER: M12 OR 1/2"
TIGHTENING TORQUE (REFERENCE ONLY): 64Nm

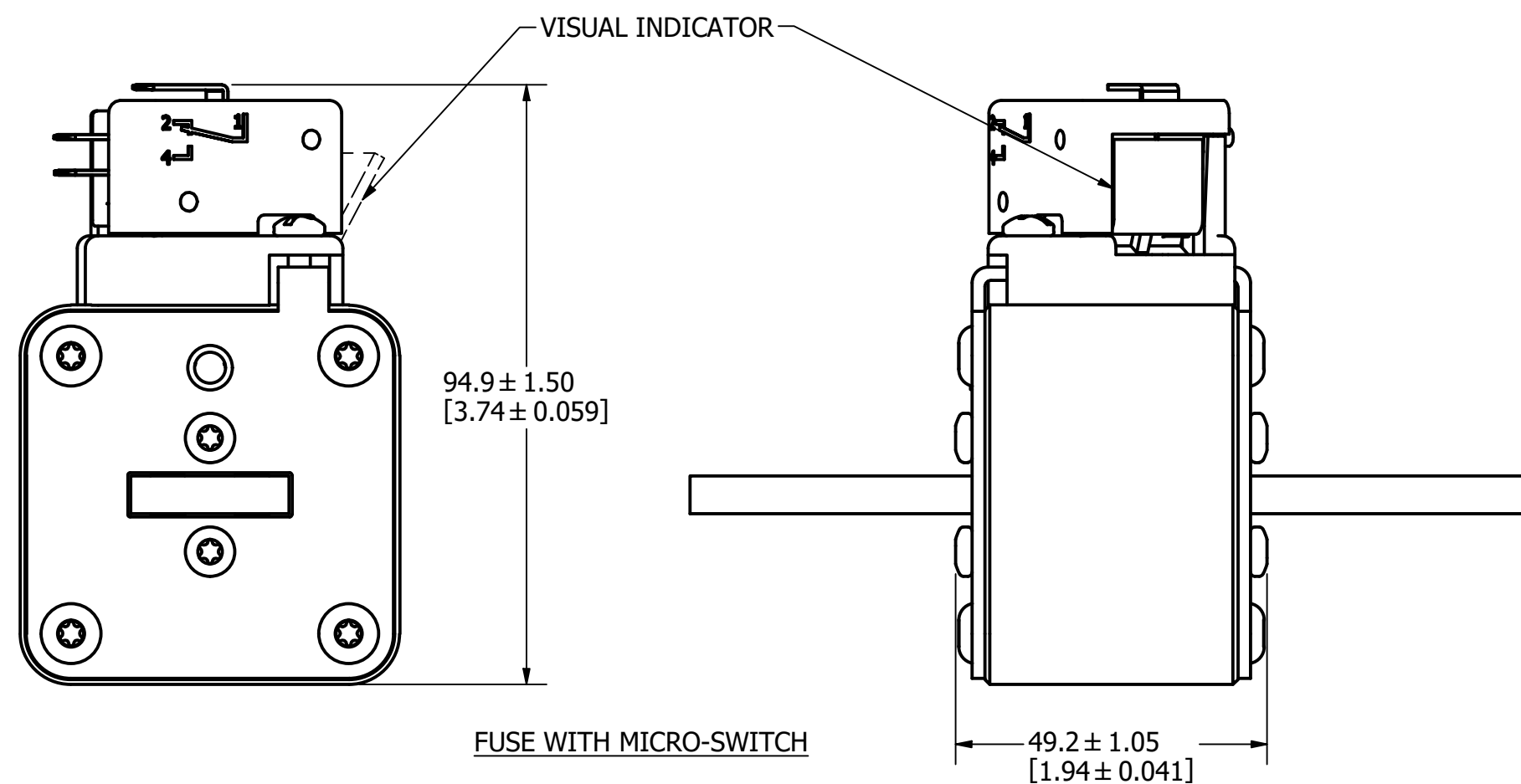
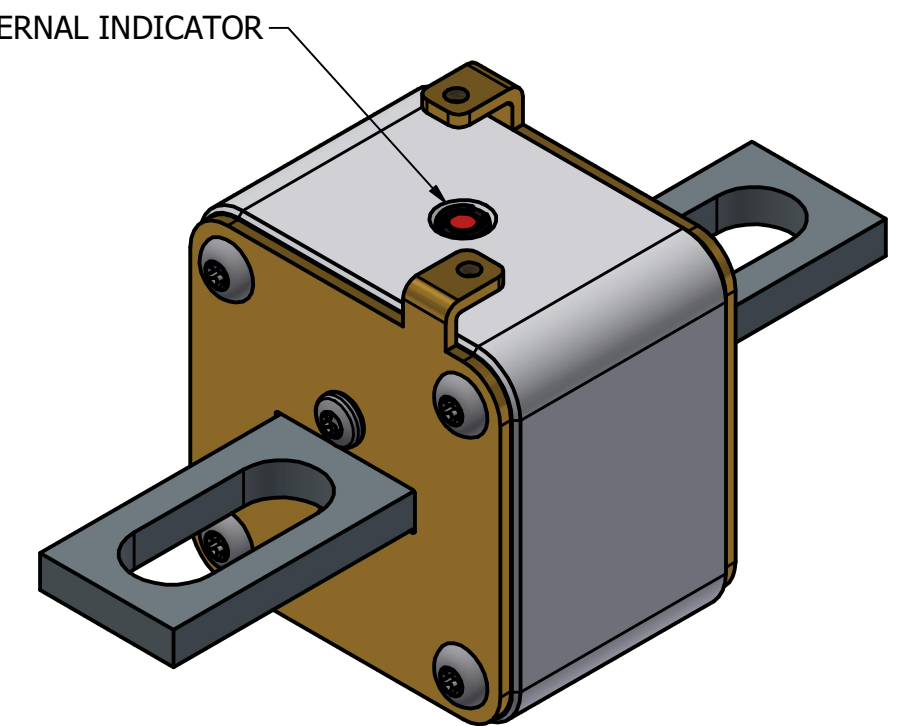
| REVISION | | DESCRIPTION |
|----------|---------|---|
| REV | DATE | |
| A | 3/4/20 | 522052GCP - RELEASE MRY |
| B | 5/10/22 | 525179ECP/D - CHANGE HEIGHT DIMENSION, ADD TOLERANCES MRY |
| C | 1/16/24 | 526835ECP/D - ADDED VIEW WITHOUT MICRO-SWITCH JTM |



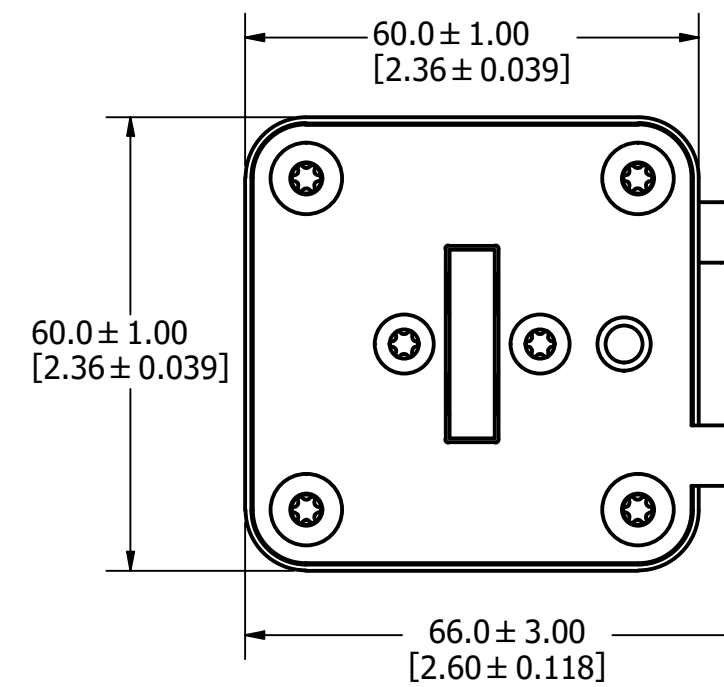
FUSE WITH MICRO-SWITCH



FUSE



FUSE WITH MICRO-SWITCH



FOR REFERENCE ONLY

| | |
|------|--|
| <S> | CRITICAL CHARACTERISTIC FOR PART SAFETY/COMPLIANCE |
| ● | DENOTES CRITICAL CHARACTERISTICS. |
| CPK | DENOTES CPK DIMENSIONS, -MINIMUM CPK VALUE |
| (ST) | DENOTES A CHARACTERISTIC THAT PROVIDES AN INDICATION OF PROCESS PERFORMANCE. PROCEDURE FOR MEASUREMENT AND TRACKING TO BE DEFINED IN LITTELFUSE INSPECTION INSTRUCTIONS. |
| CP | DENOTES CP DIMENSIONS, -MINIMUM CP VALUE MUST BE WITHIN THE DIMENSIONAL LIMITATIONS SHOWN ON DRAWING AND INITIALLY LOCATED TO ALLOW FOR MAXIMUM TOOL LIFE. |

| MATL SPEC | FINISH |
|-----------|----------------------------|
| DRW myork | DATE 12/31/1969 |
| SCALE NTS | FINISH GOOD WT GRAMS/PIECE |

UNLESS OTHERWISE SPECIFIED, DIMENSIONS ARE IN MILLIMETERS, DIMENSIONS IN BRACKETS [] ARE INCHES DIMENSIONING AND DO NOT INCLUDE PLATING. TOLERANCING TO BE INTERPRETED IN ACCORDANCE WITH ANSI Y14.5M-1994

| | |
|----------------------|--|
| 3RD ANGLE PROJECTION | |
|----------------------|--|

TITLE PSR SIZE 32 NORTH AMERICAN SHORT (US) FUSE OUTLINE

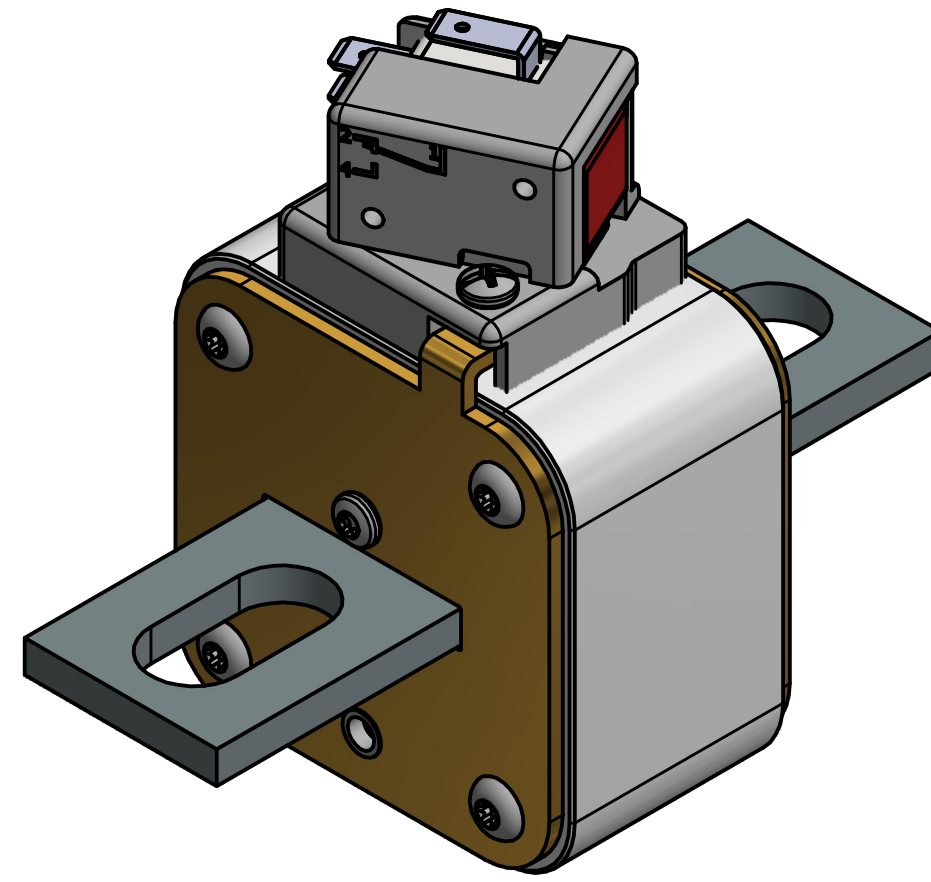
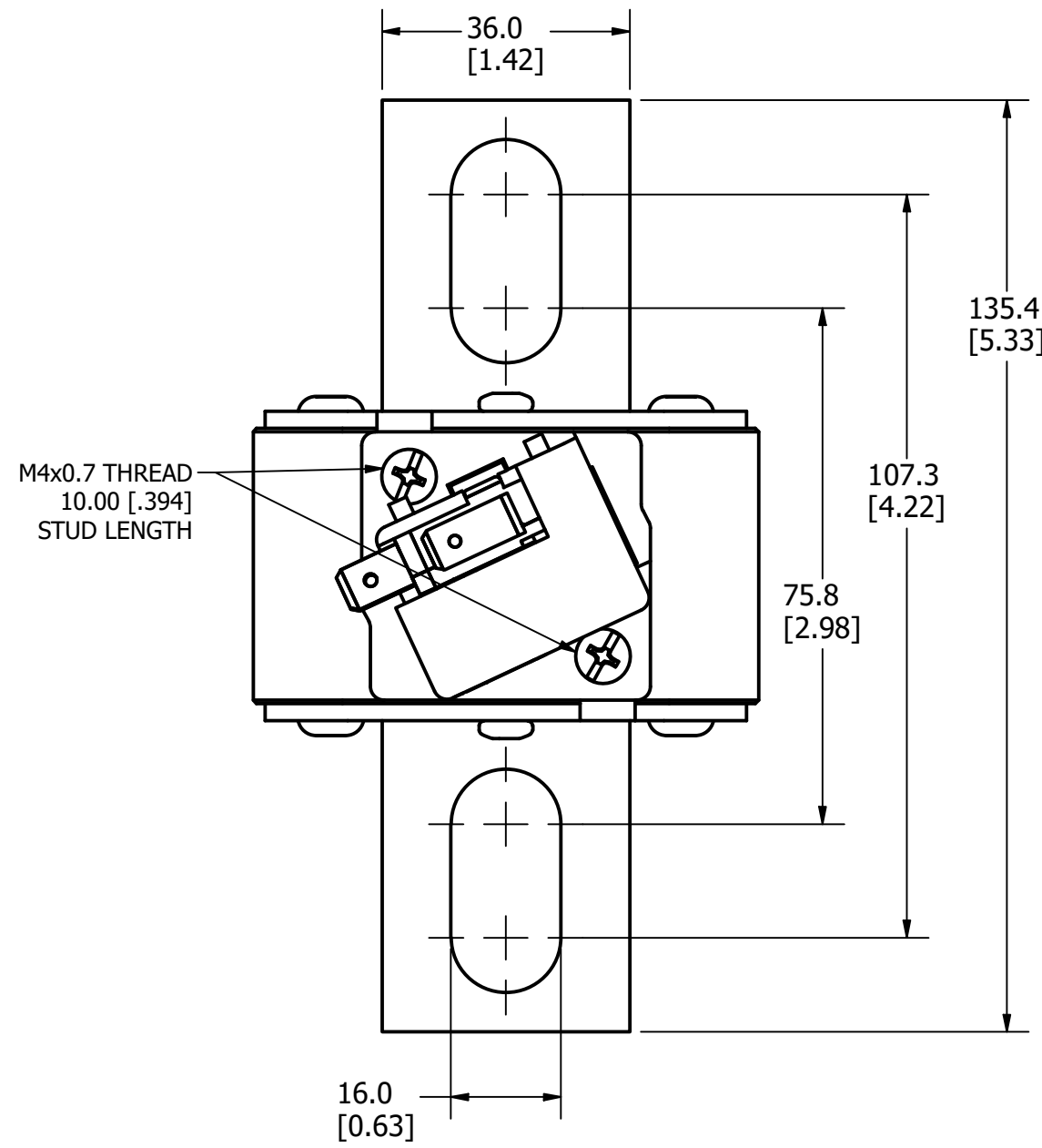
| | | | |
|--|------------|--------------------------|--------------|
| Littelfuse CHICAGO, ILLINOIS 60631 | REVISION C | DRWG NO. OL-PSR032US0000 | SHEET 1 OF 1 |
|--|------------|--------------------------|--------------|

MOUNTING SPECS:

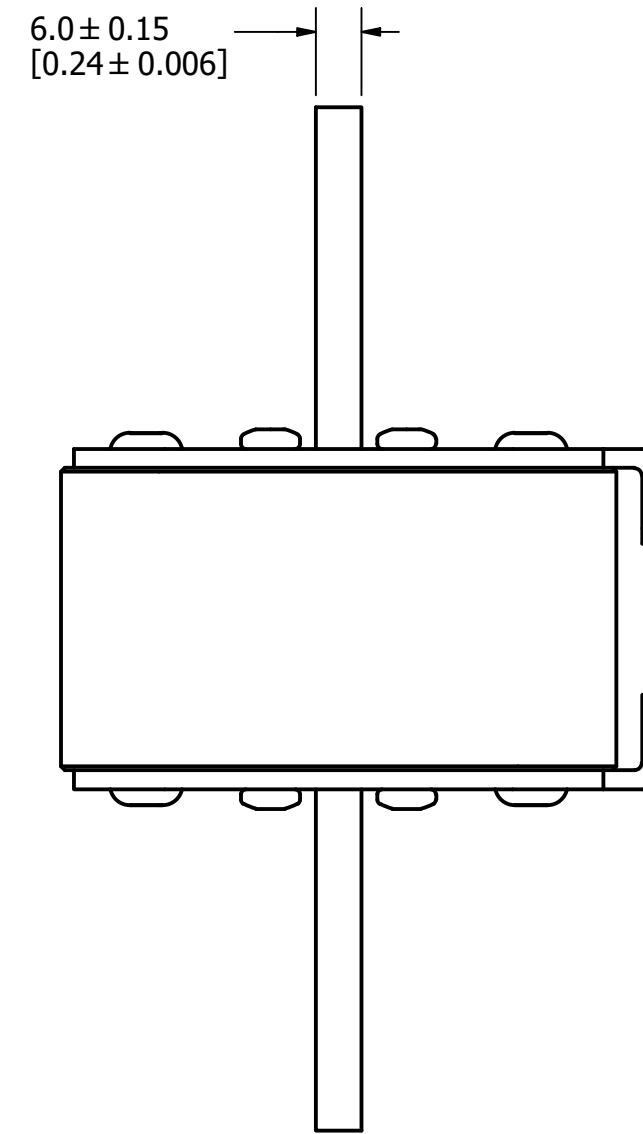
RECOMMENDED FASTENER: M14 OR 9/16"
TIGHTENING TORQUE (REFERENCE ONLY): 92Nm

| REVISION | | |
|----------|---------|---|
| REV | DATE | DESCRIPTION |
| A | 3/4/20 | 522052GCP - RELEASE MRY |
| B | 5/10/22 | 525179ECP/D - CHANGE HEIGHT DIMENSION, ADD TOLERANCES MRY |
| C | 1/17/24 | 526835ECP/D - ADDED VIEW WITHOUT MICRO-SWITCH JTM |

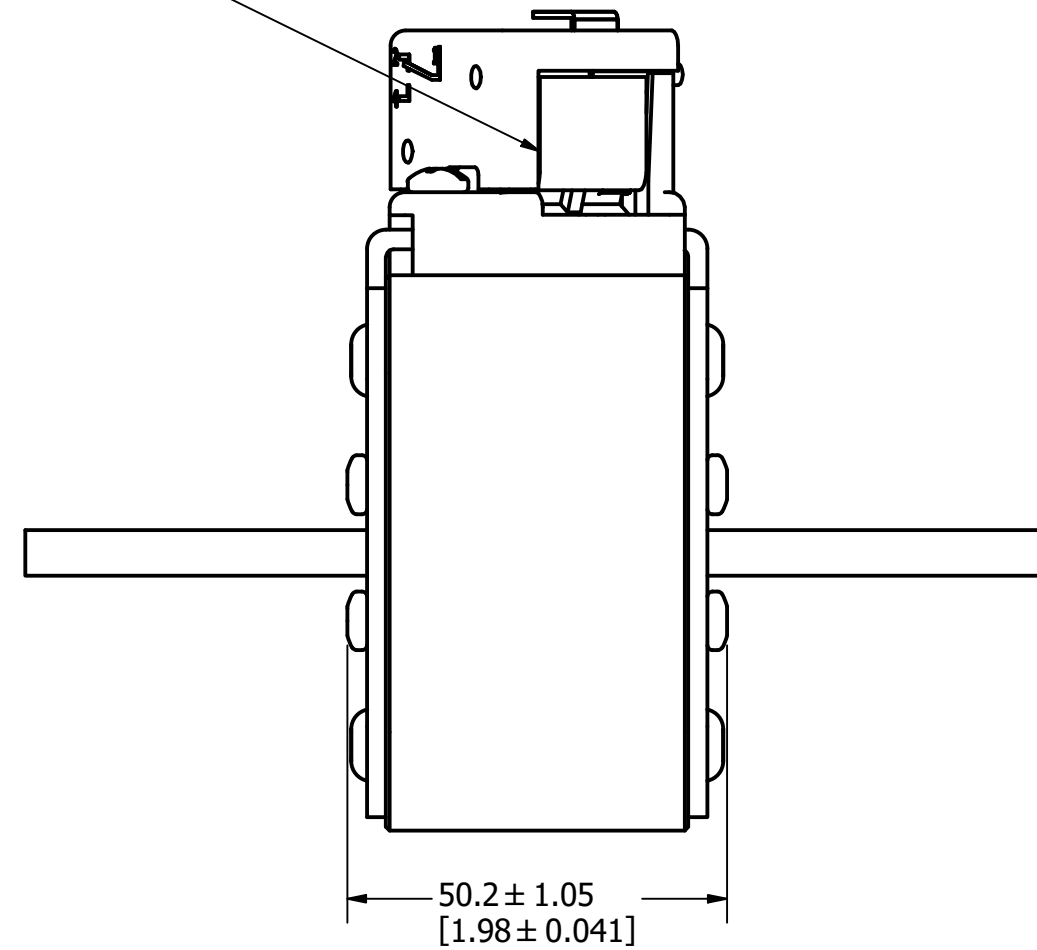
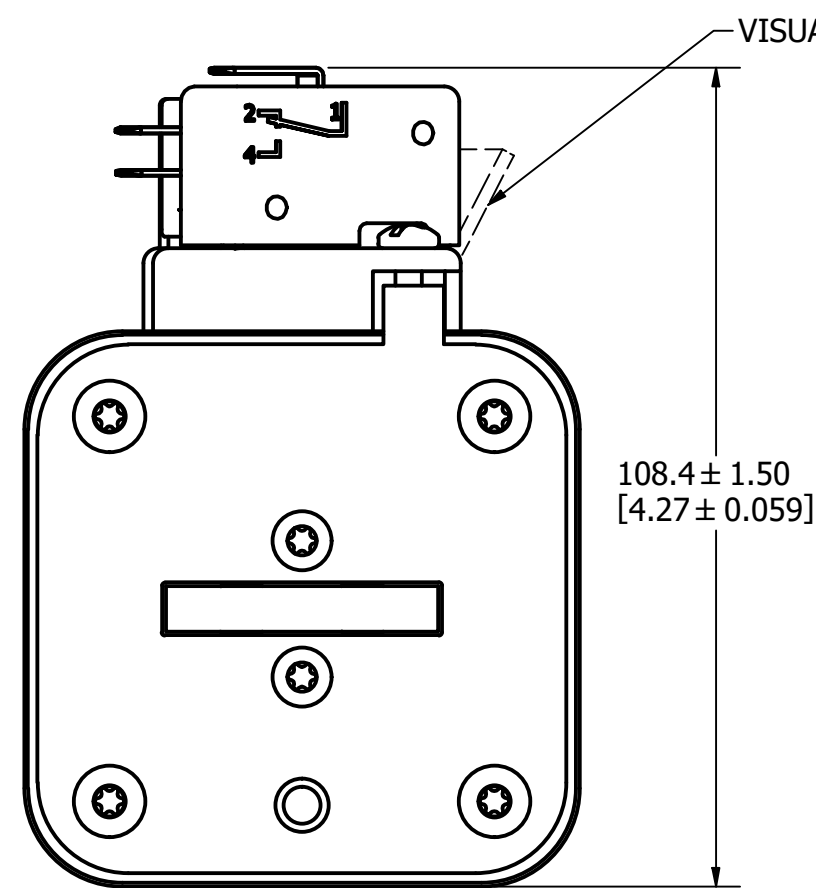
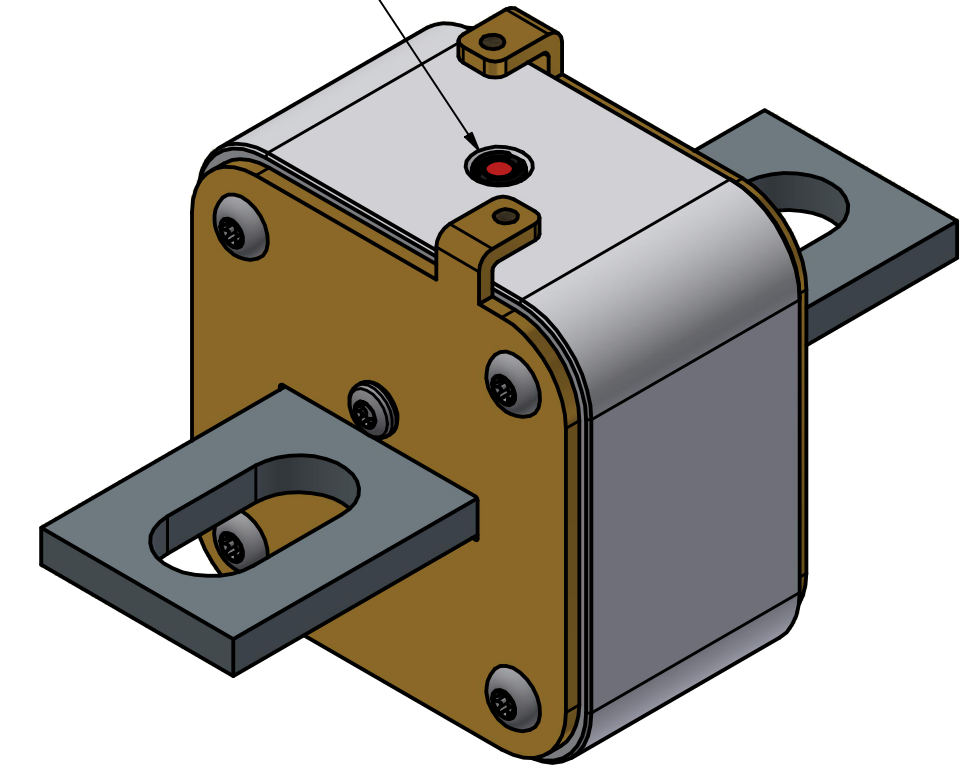
FUSE WITH MICRO-SWITCH



FUSE

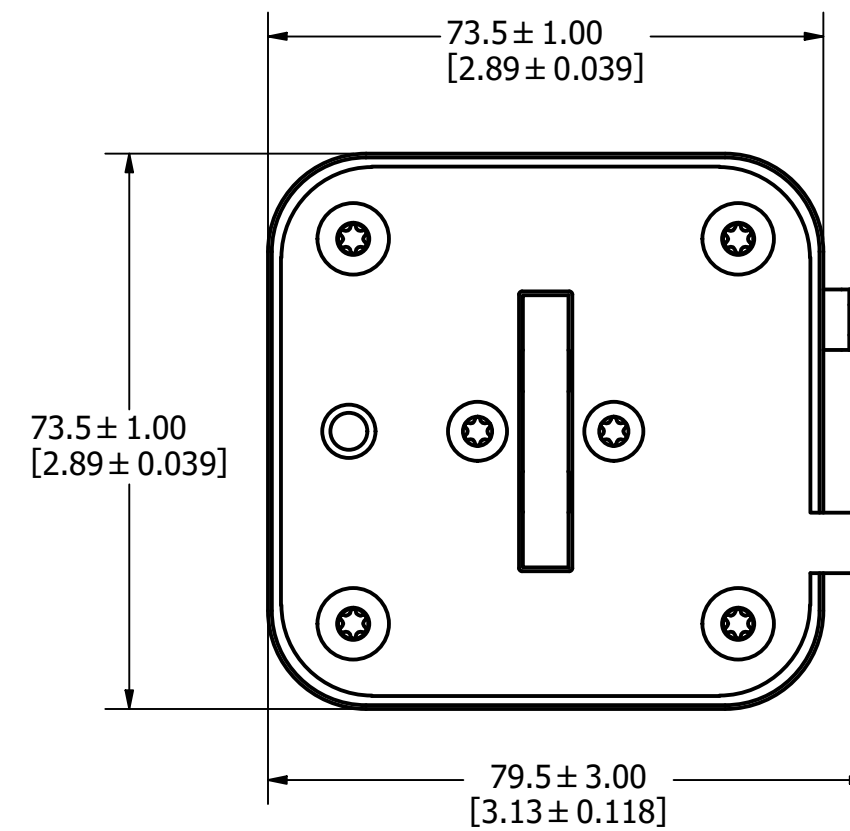


INTERNAL INDICATOR



FUSE WITH MICRO-SWITCH

FOR REFERENCE ONLY



| | |
|------|--|
| <S> | CRITICAL CHARACTERISTIC FOR PART SAFETY/COMPLIANCE |
| ● | DENOTES CRITICAL CHARACTERISTICS. |
| CPK | DENOTES CPK DIMENSIONS, -MINIMUM CPK VALUE |
| (ST) | DENOTES A CHARACTERISTIC THAT PROVIDES AN INDICATION OF PROCESS PERFORMANCE. PROCEDURE FOR MEASUREMENT AND TRACKING TO BE DEFINED IN LITTELFUSE INSPECTION INSTRUCTIONS. |
| CP | DENOTES CP DIMENSIONS, -MINIMUM CP VALUE MUST BE WITHIN THE DIMENSIONAL LIMITATIONS SHOWN ON DRAWING AND INITIALLY LOCATED TO ALLOW FOR MAXIMUM TOOL LIFE. |

| MATL SPEC | FINISH |
|-----------|----------------------------|
| DRW myork | DATE 3/3/2020 |
| SCALE NTS | FINISH GOOD WT GRAMS/PIECE |

UNLESS OTHERWISE SPECIFIED, DIMENSIONS ARE IN MILLIMETERS, DIMENSIONS IN BRACKETS [] ARE INCHES DIMENSIONING AND DO NOT INCLUDE PLATING. TOLERANCING TO BE INTERPRETED IN ACCORDANCE WITH ANSI Y14.5M-1994

| | |
|----------------------|--|
| 3RD ANGLE PROJECTION | |
|----------------------|--|

TITLE PSR SIZE 33 NORTH AMERICAN SHORT (US) FUSE OUTLINE