

Shock Block - GFCI

SB4000 Series

Industrial Shock Block for Personnel Protection



Description

Ratings and Models

The Industrial Shock Block® SB4000 series is available for use in single-phase, split-phase, three-phase and 4-wire systems from 208 -240 V on 30 A branch circuits. The power system can be either solidly or high-resistance grounded. All SB4000 models equipped with connections for a neutral wire have built-in grounded-neutral protection per the UL 943 standard. The standard enclosure is IP 69K/NEMA 4X and outdoor rated, suitable for all industrial environments including high temperature washdown used in food production applications. The SB4000 includes advanced harmonic filtering, an automatic self-test feature, and is compliant to the UL 1998 Software in Programmable Components standard.

Ground-Fault Circuit Interrupter (GFCI), Class A

The SB4000 is available as a 208 - 240 V Class A GFCI, allowing new construction or retro-fit projects to meet NEC 210.8 for a wide variety of single-phase, split-phase, three-phase and 4-wire (neutral supported) loads on 30 A circuits.

Features & Benefits

FEATURES	BENEFITS
UL 943 inverse time trip curve	Inverse time detection circuit protects people while also reducing the probability of nuisance tripping
Advanced digital filtering algorithm	Eliminates nuisance trips due to harmonics
Streamlined design	No flying leads to take up precious wall space; knockouts can be placed where you want them, and the mounting feet are adjustable
Fixed 6 mA (UL 943) trip level	UL Listed GFCI personnel protection for industrial, commercial, and residential loads on 30 A circuits
Quick install and configuration	Screwless terminal blocks make wiring fast and easy. Selectable manual reset or auto-reset for brownout, power-up, and ground monitor interruptions to fit any plant safety protocols with one part number
Conformal coating	Equipped with conformally coated circuit boards to protect against corrosion and moisture
Automatic self-test	The SB4000 will continuously test itself and will trip if there is an internal failure

Shock Block - GFCI

SB4000 Series

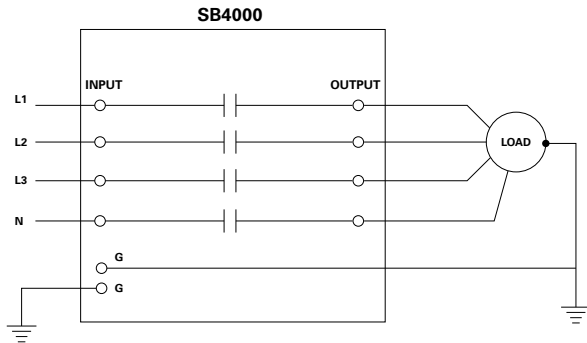
Applications

- For applications where people, electrical equipment, and water are present
- Agriculture
- Amusement parks
- Commercial kitchens
- Construction
- Food and beverage
- HVAC equipment
- Maintenance shops
- Manufacturing
- Marinas
- Mining sites
- Oil and gas
- Pools, spas, fountains, water features
- Vehicle service centers
- Water/wastewater

Specifications

Voltage Rating	208/120 V, 240/120 V, 208 V, 240 V
Current Rating	For use on 30 A branch circuits. Maximum continuous FLA of 26 A
System Type	Three-phase, 3-wire, 60 Hz; Three-phase, 4-wire, 60 Hz; Split-phase, 3-wire, 60 Hz; Single-phase, 2-wire, 60 Hz
Short-Circuit Current Rating	10,000 A
Trip Level Settings	Fixed at 6 mA (Class A models)
Trip Time Setting	Inverse time curve according to UL 943
Enclosure	Polycarbonate: IP 69K and NEMA 4X (Outdoor), Polycarbonate
Operating Temperature	-35 °C (-31 °F) to 40 °C (104 °F), up to 66 °C (151 °F) with derating
Dimensions	H 164.2 mm (6.47 in.); W 109.4 mm (4.31 in.); D 96.28 mm (3.79 in.) – with enclosure and mounting feet H 164.2 mm (6.47 in.); W 109.4 mm (4.31 in.); D 72.7mm (2.86 in.) – without enclosure

Simplified Circuit Diagram



Note: The SB4000 must be installed on the line-side of any variable-frequency drives for any applications that utilize those devices.

Certification & Compliance

UL Listed	UL1998
CSA	LR 53428 (Pending)
cULus Listed	Class A GFCI (UL 943) E330856

Ordering Information

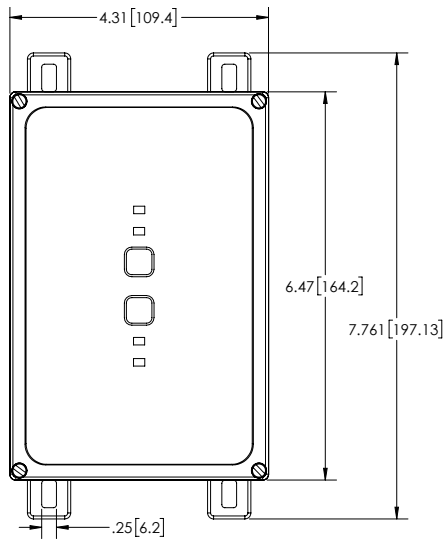
Permanent Versions Include NEMA 4X & IP69K Rated Enclosure

GFCI (UL 943 CLASS A)			
6mA Fixed Trip Level			
Circuit Rating (A)	Voltage (V)	System Config	Ordering Number
30	208-240	2P+N, 3P+N	SB4030-521-00

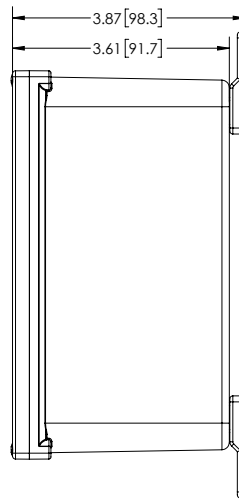
Shock Block - GFCI

SB4000 Series

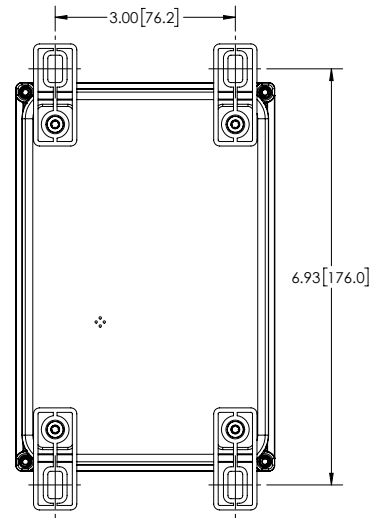
Dimensions Millimeters [inches]



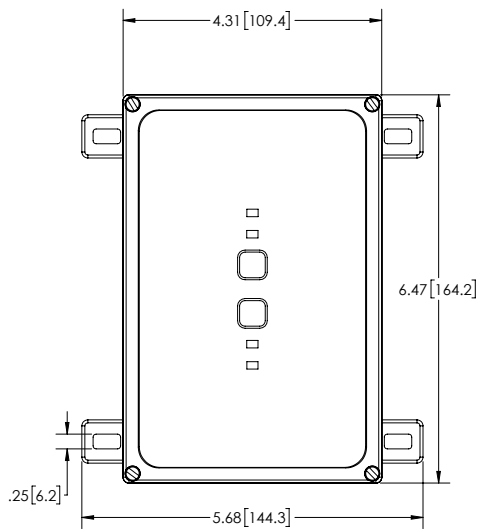
FRONT



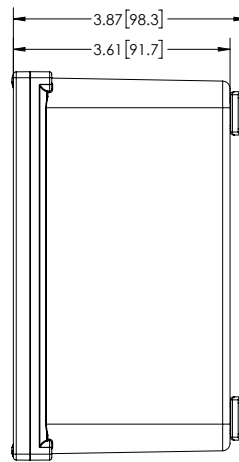
SIDE



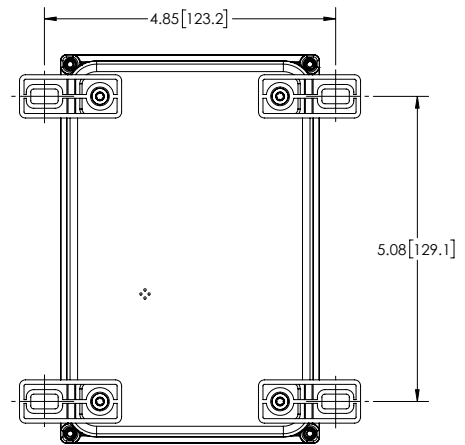
BACK



FRONT



SIDE



BACK

Disclaimer Notice – Information furnished is believed to be accurate and reliable. However, users should independently evaluate the suitability of and test each product selected for their own applications. Littelfuse products are not designed for, and may not be used in, all applications. Read complete Disclaimer Notice at www.littelfuse.com/product-disclaimer.