

Certificate



for European Product Safety

Reference No. 1706869

Miniature fuse-link

Type designation 0216***

Certificate holder **Suzhou Littelfuse OVS Ltd.**
6 Xinghai Street
Suzhou Industrial Park, Suzhou City
Jiangsu Province 215021
CHINA

The product complies with the standard(s) EN 60127-2:2014
EN 60127-7:2016

Date of expiry 1 December 2021

EU Directive information According to the principle of presumption of conformity, this certificate constitutes support for an EC Declaration of Conformity and CE marking according to the Low Voltage Directive 2014/35/EU.

Additional information in Appendix.

Certification Body Intertek Semko AB, Product Certification Place Kista - Stockholm

Signed 
Bo Berglöf Date 8 February 2017
Page 1 of 3

This certificate is issued in accordance with the terms and conditions set out in the Appendix.

Handwritten mark



Intertek
Appendix

Reference No. 1706869

Technical data

Type designation 0216***
Rated voltage (V) 250V AC
Rated current (A) 50mA 63mA 80mA 100mA 125mA 160mA 200mA
 250mA 315mA 400mA 500mA 630mA 800mA 1A
 1,25A 1,6A 2A 2,5A 3,15A 4A 5A
 6,3A 8A 10A
Standard sheet 1
Trade mark L^F.
Product information Miniature fuses with or without pigtails
 Quick-acting, high-breaking capacity (1500A 250V AC). Size 5 x 20 mm.

Type designation 0216016
Rated voltage (V) 250V AC
Rated current (A) 16A
Standard sheet 1
Trade mark L^F.
Product information Miniature fuse with or without pigtails according to EN 60127-7
 Quick-acting, Size 5 x 20 mm.
 Rated breaking capacity: 750A a.c., power factor: 1.
 Max. power dissipation: 4,0 W.

0216 Series includes of type ref. nos.

0216.050; 0216.063; 0216.080; 0216.100; 0216.125; 0216.160; 0216.200; 0216.250; 0216.315;
 0216.400; 0216.500; 0216.630; 0216.800; 0216001.; 02161.25; 021601.6; 0216002.; 021602.5;
 02163.15; 0216004.; 0216005.; 021606.3; 0216008.; 0216010.; 0216016.

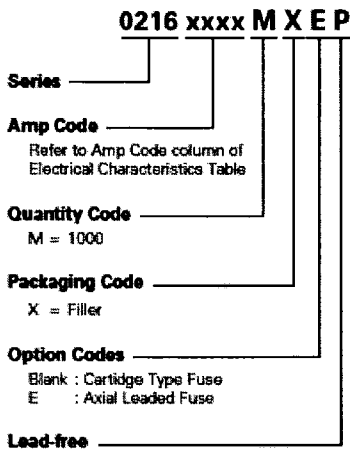
This Certificate is for the exclusive use of Intertek's Client and is provided pursuant to the Certification agreement between Intertek and its Client. Intertek's responsibility and liability are limited to the terms and conditions of the agreement. Intertek assumes no liability to any party, other than to the Client in accordance with the agreement, for any loss, expense or damage occasioned by the use of this certificate. Only the Client is authorized to permit copying or distribution of this certificate and then only in its entirety. Use of Intertek's Certification mark is restricted to the conditions laid out in the agreement. Any further use of the Intertek name for the sale or advertisement of the tested material, product or service must first be approved in writing by Intertek. Initial Factory Assessments and Follow up Services are for the purpose of assuring appropriate usage of the Certification mark in accordance with the agreement, they are not for the purposes of production quality control and do not relieve the Client of their obligations in this respect.



**Intertek
Appendix**

Reference No. 1706869

Part Numbering System



Manufacturing site(s) Suzhou Littelfuse OVS Ltd.
6 Xinghai Street
Suzhou Industrial Park, Suzhou City
Jiangsu Province 215021
CHINA

According to the principle of presumption of conformity, this certificate, which includes production control, constitutes support for an EC Declaration of Conformity and CE marking according to the Low Voltage Directive 2014/35/EU.

This presumption can expire before end of validity of this certificate due to new issued Standard or Amendment and changes within the EU legislation.

This certificate replaces previously issued ref. No. 1402843 dated 21 March 2014.
A new certificate has been issued on account of renewal testing.

Certification Body Intertek Semko AB, Product Certification **Place** Kista - Stockholm

Signed  **Date** 8 February 2017

This Certificate is for the exclusive use of Intertek's Client and is provided pursuant to the Certification agreement between Intertek and its Client. Intertek's responsibility and liability are limited to the terms and conditions of the agreement. Intertek assumes no liability to any party, other than to the Client in accordance with the agreement, for any loss, expense or damage occasioned by the use of this certificate. Only the Client is authorized to permit copying or distribution of this certificate and then only in its entirety. Use of Intertek's Certification mark is restricted to the conditions laid out in the agreement. Any further use of the Intertek name for the sale or advertisement of the tested material, product or service must first be approved in writing by Intertek. Initial Factory Assessments and Follow up Services are for the purpose of assuring appropriate usage of the Certification mark in accordance with the agreement, they are not for the purposes of production quality control and do not relieve the Client of their obligations in this respect.

Handwritten mark