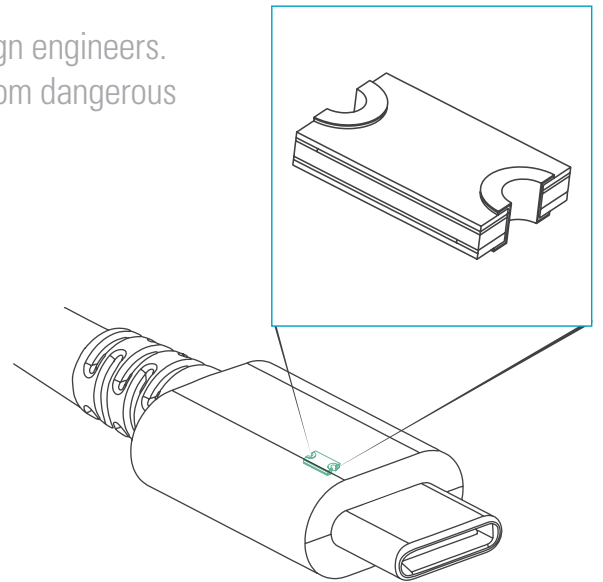
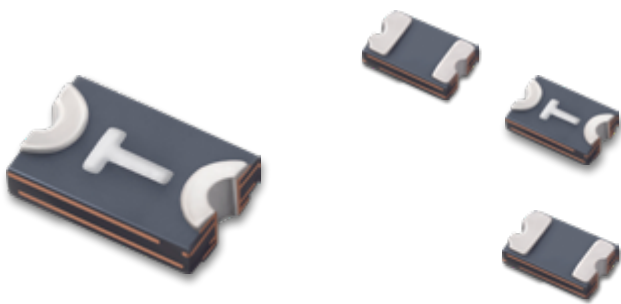


Over Heating **Protection**
Fully **USB-PD** Compliant



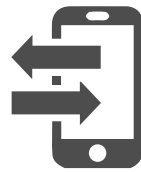
Implementing USB Type-C charging presents challenges to design engineers. Littelfuse temperature indicator solutions help protect cables from dangerous overheating due to resistive faults from power line to ground.



Fast-Charging
for
Mobile



Reversible
Connector



Fast
Data
Transfer



Low
Temperature
with **setP™**

setP™ Key Characteristics

| Function | Applications | Ordering Number | Indicating Temperature | Resistance @ 25°C | Indicating Resistance | Footprint |
|-----------------------------|-----------------------------------|-----------------|------------------------|-------------------|-----------------------|-----------|
| Over-temperature Protection | Captive cable USB Type-C Chargers | SETP0805-100-SE | 100°C ±10° | 12Ω or less | 35kΩ or greater | 0805 |
| Over-temperature Protection | USB Type-C to Type-C Cables | SETP0805-100-CC | 100°C ±10° | 6Ω or less | 35kΩ or greater | 0805 |

Keeps the Plug Surface Cool

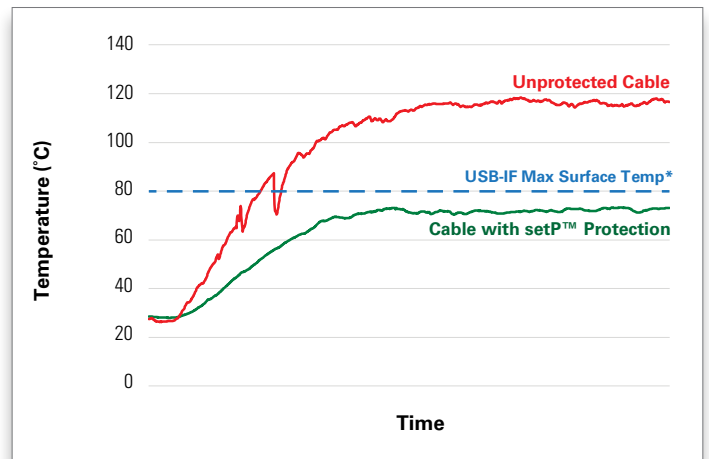
Problem Condition

- More Power
 - Smaller pin-to-pin
 - Universal Fit
- Higher Risk

Easier for contamination or deformed pins to cause a fault. Higher power increases risk of thermal event.

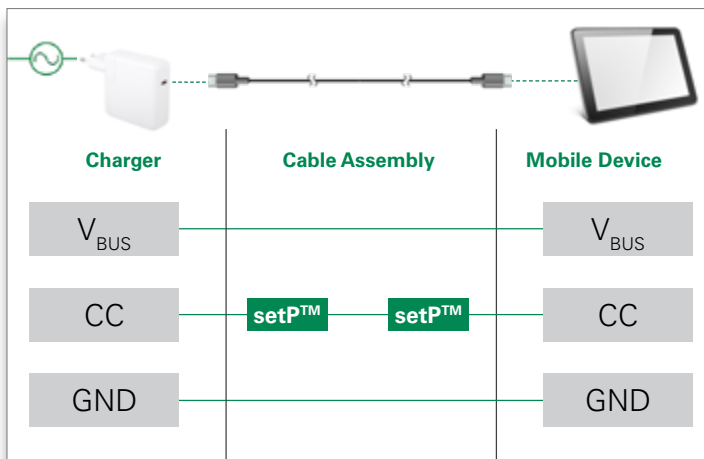


Surface Temperature During Over-temperature Fault



* Reference temperature set by USB-IF within Table 6-14 of the USB Type-C Cable and Connector Specification.

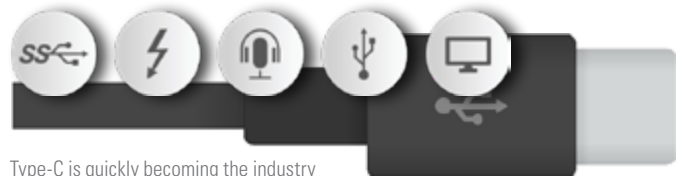
Circuit Diagram & Protection Explanation



setP™, located inside the Type-C plug, senses the temperature of the USB Type-C Connector.

- Charger is connected to the AC power line and cable is connected to the mobile device
- Fault occurs causing heat (either at charger or mobile device side),
 1. setP™ senses heat, then resistance (R_{setP}) increase
 2. R_{setP} increase causes voltage on CC Line to increase beyond specified value*
 3. System assumes cable detached due to voltage on CC being higher than specified value*, thus V_{BUS} power is turned off
- The system is protected
- To clear the fault: Disconnect the cable and remove debris

* vOpen value is defined by USB-IF as either 1.65V or 2.75V



Type-C is quickly becoming the industry standard connector