

CG Series

Single Pole Power Rocker Switches



Description

CG series single pole power rocker switch are designed with a beveled frame and easy panel mount installation, making it perfect for today's innovative product designs. With optional illumination, the CG switches are most often used in small appliances, instrument panels and industrial controls.

Features & Benefits

- Beveled frame
- Easy panel mount installation
- Illuminated versions available

Applications

- Computers and peripherals
- Small appliances
- Instrument panels
- Industrial controls
- RoHS compliant

Agency Approvals

Agency	Agency File Number
	E42363

Specifications

Contact Rating	16(4) A @ 125/250 VAC, 16RA @ 12 VDC, 10RA @ 28 VDC.
Electrical Life	10,000 make-and-break cycles at full load.
Dielectric Strength	1,500 Vrms min. @ sea level.
Insulation Resistance	10 ⁸ Ω min.
Operating Temperature	-20°C to 85°C

Materials

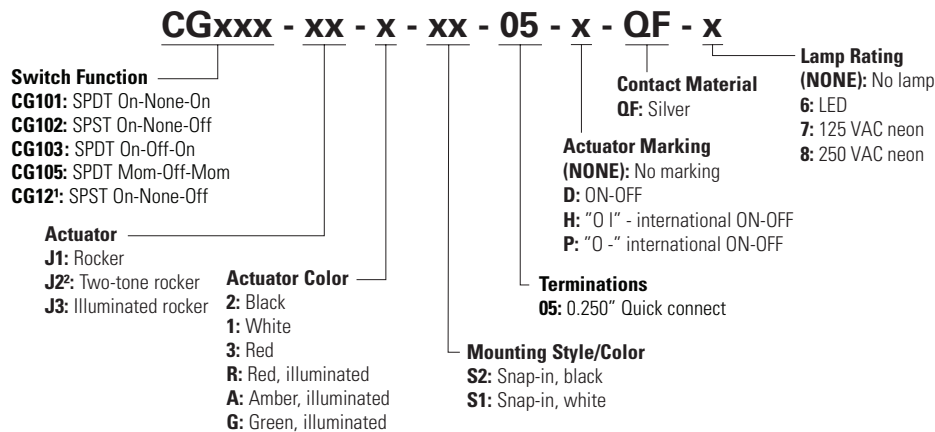
Actuator & Housing	6/6 nylon (UL 94V-2), black, matte finish.
Illuminated Actuator	Polycarbonate, matte finish.
Center Contacts	Silver plated, copper alloy.
End Contacts	AgCd0
All Terminals	Silver plated, copper alloy.

Notes:

Specifications and materials listed above are for switches with standard options. For information on specific and custom switches, consult Customer Service Center.

Ordering Number

To order, simply select desired option from each category and place in the appropriate box. For additional options not shown in catalog, consult Customer Service Center.



Notes:

1. CG12 — for switches with both marking and illumination
2. J2 — refer to table on next page for actuator options

CG Series

Single Pole Power Rocker Switches



Actuator Color

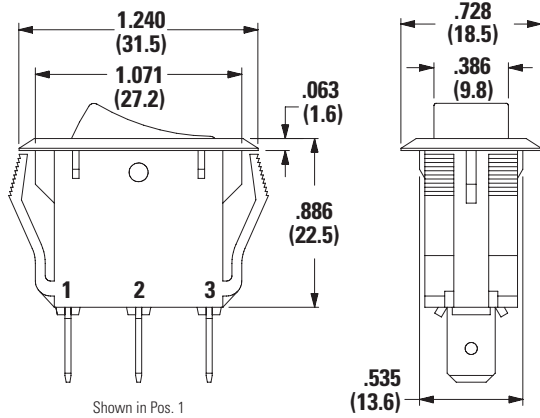
Actuator	Option Code	Actuator Color
J1	2	Black
	1	White
	3	Red
J3	R	Red, Illuminated
	A	Amber, Illuminated
	G	Green, Illuminated

Actuator	Option Code	Actuator Color	
		Top	Bottom
J2	1	White	Red
	2		Black
	3	Red	White
	4	Black	White
	5		Red

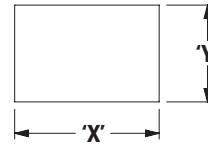
Note: J2 actuator only

Mounting Style/Color inches (mm)

S2 Snap-in, Black
S1 Snap-in, White



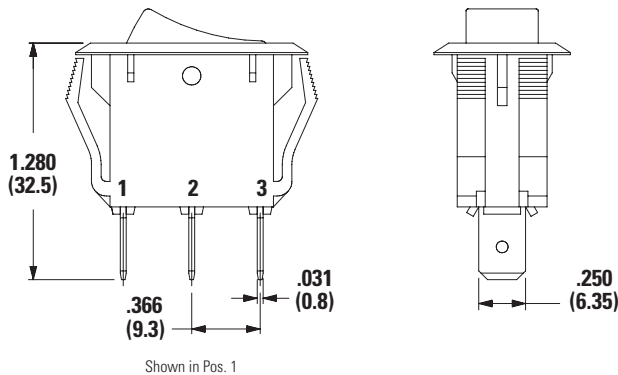
Panel Mounting



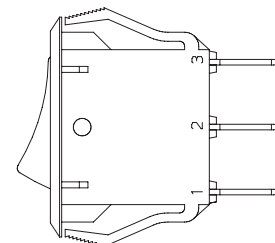
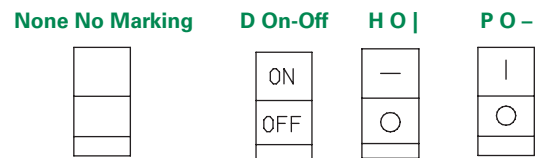
Panel Thickness	"X"	"Y"
0.030-0.049 (0.75-1.25)	1.087-0.004 (27.6-0.1)	0.543 + 0.004 (13.8+0.1)
0.049-0.079 (1.25-2.0)	1.094-0.004 (27.8-0.1)	
0.079-0.118 (2.0-3.0)	1.102-0.004 (28.0-0.1)	

Terminations inches (mm)

05 0.250" Quick Connect



Actuator Markings



NOTE: Orientation of actuator marking and terminals.

Shown in Pos. 1

CG Series

Single Pole Power Rocker Switches



Contact Material

Option Code	Contact and Terminal Material	Ratings	
QF	Silver	Power	16(4)A 125/250 Vac;16RA 12Vdc;10RA 28Vdc

Notes: See Technical Data section of this catalog for RoHS compliant and compatible definitions and specifications. 

Lamp Rating

- (NONE) No Lamp
- 7 125 VAC 33k Ω Neon
- 8 250 VAC 150k Ω Neon

Note: Lamp rating for J3 actuator option.

Disclaimer Notice - Information furnished is believed to be accurate and reliable. However, users should independently evaluate the suitability of and test each product selected for their own applications. Littelfuse products are not designed for, and may not be used in, all applications. Read complete Disclaimer Notice at <http://www.littelfuse.com/disclaimer-electronics>.