

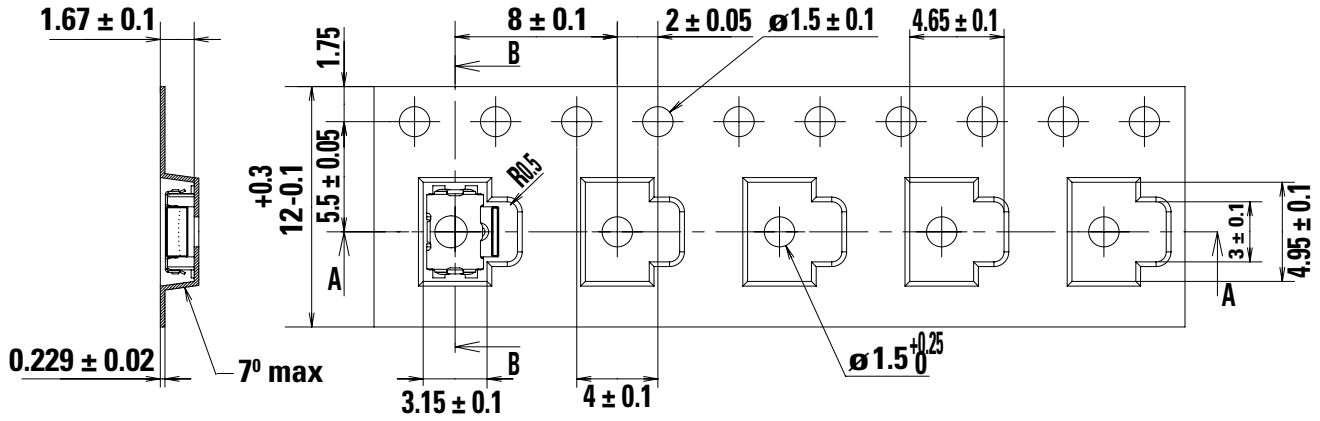


# KMS Series

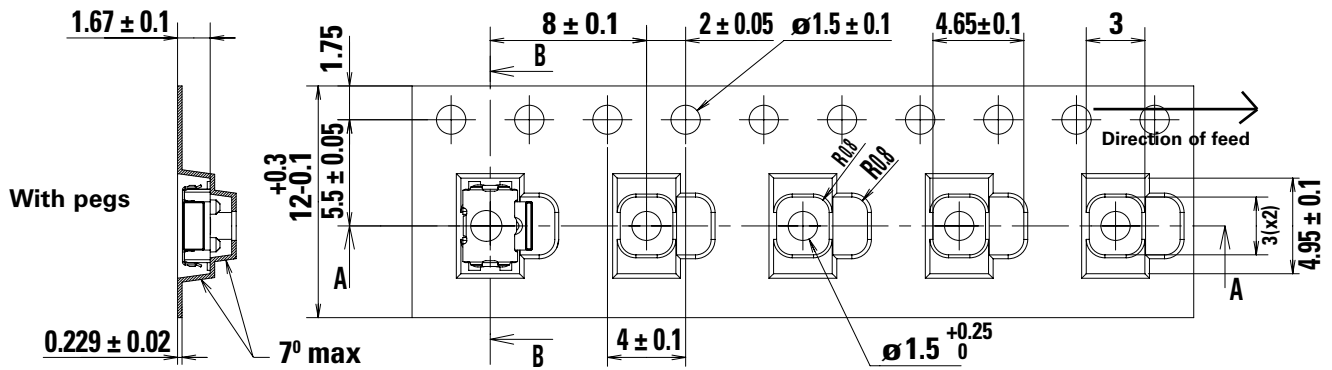
Micro Miniature Side Actuated Tactile Switch for SMT 4.2 x 3.55 mm, with 1.42 mm Height Actuator



### Tape & Reel



### With Pegs



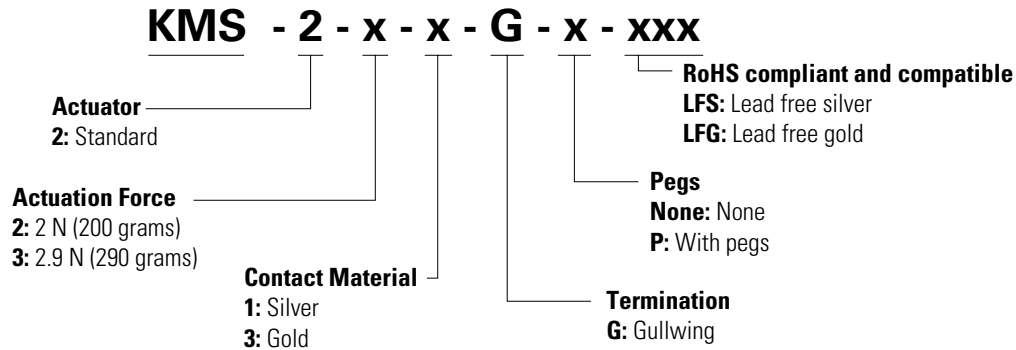
# KMS Series

## Micro Miniature Side Actuated Tactile Switch for SMT 4.2 x 3.55 mm, with 1.42 mm Height Actuator



### Ordering Number

For any part number different from those listed above, please consult your local representative.



### Mechanical Characteristics

| Supply status | Littelfuse Orderable Part Number | Description  | Contact & Terminals Plating | Peg | Operating Force Fa (Newtons) | Tactile ratio (Min) | Operating Life (operations) | Electrical Travel (mm) |
|---------------|----------------------------------|--------------|-----------------------------|-----|------------------------------|---------------------|-----------------------------|------------------------|
| ✓             | Y28B22110FP                      | KMS221G LFS  | Silver                      | No  | 2±0.5                        | Min 15%             | 100,000                     | 0.25±0.15              |
| ✓             | Y28B22112FP                      | KMS221GP LFS | Silver                      | Yes | 2±0.5                        | Min 15%             | 100,000                     | 0.25±0.15              |
| ✓             | Y28B22310FP                      | KMS223G LFG  | Gold                        | No  | 2±0.5                        | Min 15%             | 100,000                     | 0.25±0.15              |
| ✓             | Y28B22312FP                      | KMS223GP LFG | Gold                        | Yes | 2±0.5                        | Min 15%             | 100,000                     | 0.25±0.15              |
| ✓             | Y28B23110FP                      | KMS231G LFS  | Silver                      | No  | 2.9±0.7                      | Min 25%             | 100,000                     | 0.3±0.15               |
| ✓             | Y28B23112FP                      | KMS231GP LFS | Silver                      | Yes | 2.9±0.7                      | Min 25%             | 100,000                     | 0.3±0.15               |
| ✓             | Y28B23310FP                      | KMS233G LFG  | Gold                        | No  | 2.9±0.7                      | Min 25%             | 100,000                     | 0.3±0.15               |
| ✓             | Y28B23312FP                      | KMS233GP LFG | Gold                        | No  | 2.9±0.7                      | Min 25%             | 100,000                     | 0.3±0.15               |

**Notes:**

Supply status: ✓ : Available for ordering.

### Liability Limitation

This datasheet does not provide enough information for applications that require a certain level of quality or safety such as automotive, medical systems, or safety equipment. Please contact customer service for the contractual specification package.

**Disclaimer Notice** - Information furnished is believed to be accurate and reliable. However, users should independently evaluate the suitability of and test each product selected for their own applications. Littelfuse products are not designed for, and may not be used in, all applications. Read complete Disclaimer Notice at <http://www.littelfuse.com/disclaimer-electronics>.