

823A Series

1000VDC Rated



Description

Littelfuse 823A Series is an AEC-Q200 Qualified high voltage rated fuse with high interrupting ratings. These are the SMD equivalent version of the Through Hole 5x20 high voltage fuse.

Features and Benefits

- AEC-Q200 Qualified
- High reliability solderless fuse
- Operating temperature of -40°C to 125°C
- Lead-free – compatible with lead-free solder and higher temperature profiles
- Halogen-free and Pb-Free fuse

Applications

- Automotive - Fuel Cell Cooling Systems
- Battery Management Systems (BMS)
- HV DC/DC Converter
- LCD Inverter
- White Goods
- Power Supplies
- Battery Disconnect Unit (BDU)

Web Resources



Download ECAD models, order samples, and find technical resources at www.littelfuse.com

Agency Approvals

Agency	Agency File Number	Ampere Range
cULUS	E10480	1A - 2A

Electrical Characteristics for Series

% of Ampere Rating	Opening Time
100%	4 hours, Minimum
250%	120 seconds, Maximum

Electrical Specifications by Item

Ampere Rating (A)	Amp Code	Max Voltage Rating (V) ⁴	Interrupting Rating ¹	Nominal Cold Resistance (Ohms) ²	Nominal Melting I ² t (A ² sec) ³	Nominal Voltage Drop (mV)	Agency Approvals cULUS
1	001.	1000VDC	100A @ 1000VDC	0.1780	1.30	221	x
2	002.	1000VDC		0.0515	2.88	136	x

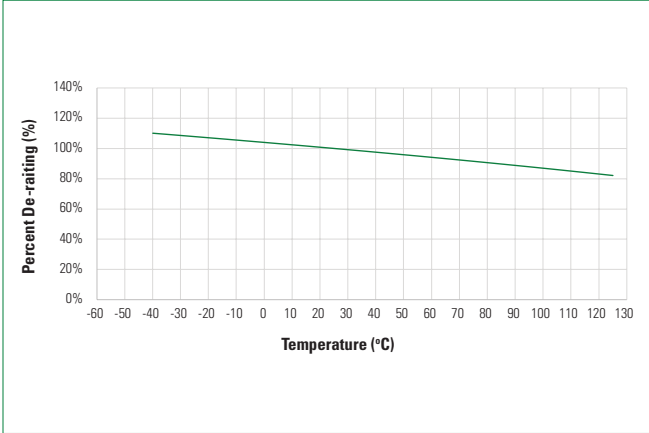
Notes:

1. DC interrupting rating tested with time constant less than 0.043ms at 1,000VDC.
2. Cold resistance measured at less than 10% of rated current at 25°C.
3. I²t values measured at 1ms opening time
4. Pollution degree 2 level as per IEC 60664-1

823A Series

1000VDC Rated

Temperature Re-rating Curve



Note:
Re-rating depicted in this curve is in addition to the standard re-rating of 25% for continuous operation.

Example:
For continuous operation at 85°C, the fuse should be rerated as follows:
 $I = (0.75)(0.90)I_{RAT} = (0.675)I_{RAT}$

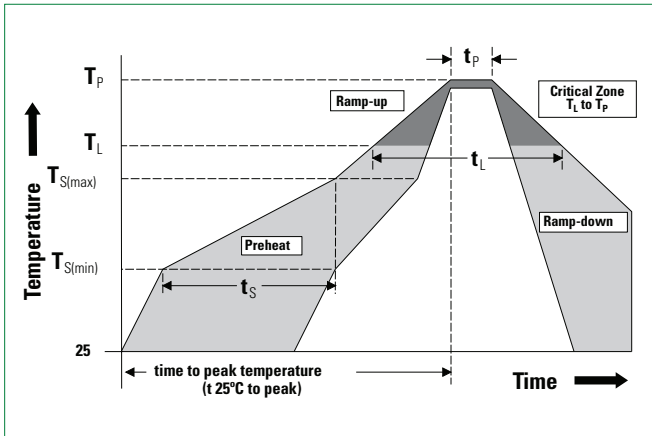
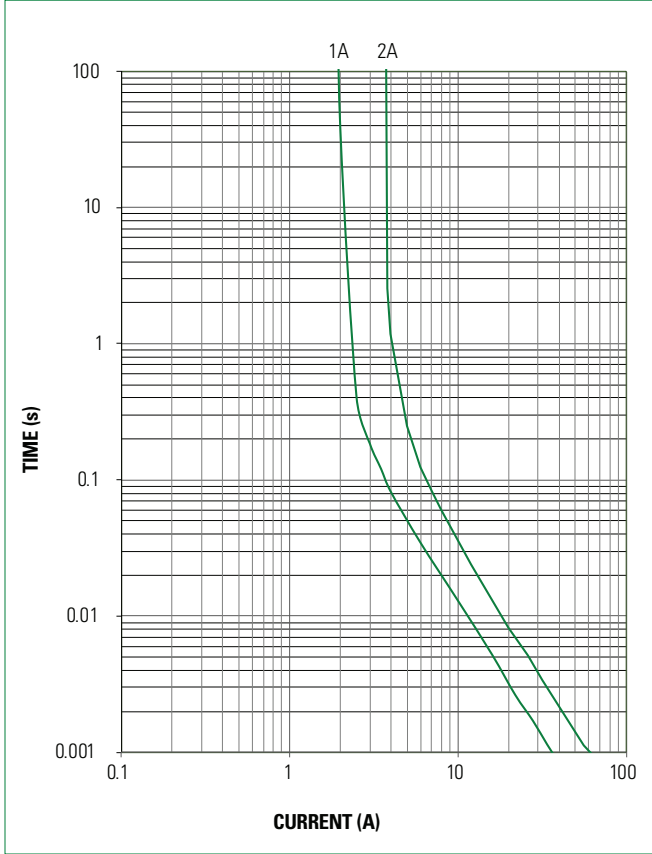
Pulse Cycle Withstand Capability

No. of Pulses to withstand	Ratio of Pulse I ² t to Nominal I ² t
100,000	Pulse I ² t = 10% of Nominal Melting I ² t
10,000	Pulse I ² t = 20% of Nominal Melting I ² t
1,000	Pulse I ² t = 38% of Nominal Melting I ² t
100	Pulse I ² t = 48% of Nominal Melting I ² t

Soldering Parameters

Reflow Condition		Pb – Free assembly
Pre Heat	- Temperature Min (Ts(min))	150°C
	- Temperature Max (Ts(max))	200°C
	- Time (Min to Max) (ts)	60 - 180 secs
Average ramp up rate (Liquidus Temp (TL) to peak)		5°C/second max.
TS(max) to TL - Ramp-up Rate		5°C/second max.
Reflow	- Temperature (TL) (Liquidus)	217°C
	- Time (tL)	60 - 150 secs
Peak Temperature (TP)		260+0/-5 °C
Time within 5°C of actual peak Temperature (tp)		20 – 40 seconds
Ramp-down Rate		5°C/second max.
Time 25°C to peak Temperature (TP)		8 minutes max.
Do not exceed		260°C
Wave Soldering Parameters		260°C Peak Temperature, 3 seconds max.

Average Time Current Curves



823A Series

1000VDC Rated

Product Characteristics

Materials	Body: Glass-Reinforced Epoxy Terminations: Cu/Ni/Sn (100% Pb Free)
Product Marking	Body: Current Rating (Code)
Insulation Resistance	IEC 60127-4 (0.1MΩ Min)

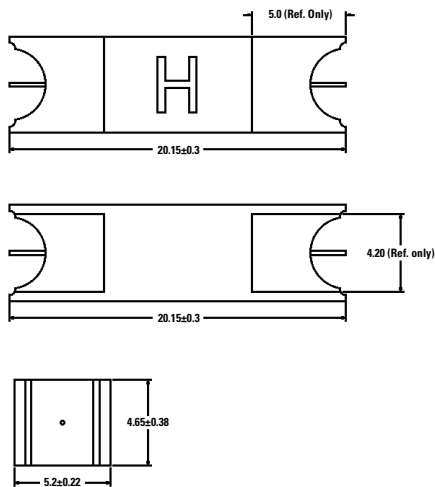
High Temperature Storage	MIL-STD-202, Method 108
Thermal Shock Test	JESD22 Method A104C
Biased Humidity	MIL-STD-202, Method 103, 85C/85% RH with 10% operating power for 1000 hrs

Operational Life	MIL-STD-202, Method 108, Test Condition D
Resistance to Solvents	MIL-STD-202, Method 215
Mechanical Shock	MIL-STD-202, Method 213, Test Condition C
High Frequency Vibration	MIL-STD-202, Method 204
Resistance to Soldering Heat	MIL-STD-202, Method 210 (Test K modified)

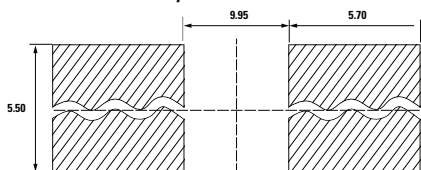
Solderability	JESD22-B102E Method 1 ^a
Moisture Resistance	MIL-STD-202 Method 106
Moisture Sensitivity Level 1	IPC/JEDEC J-STD-020D Level 1
Terminal Strength	AEC Q200-006
Board Bend/Flex	AEC Q200-005

Note: a) Meet at least 50% solder filler height and voids on terminal less than 5% area

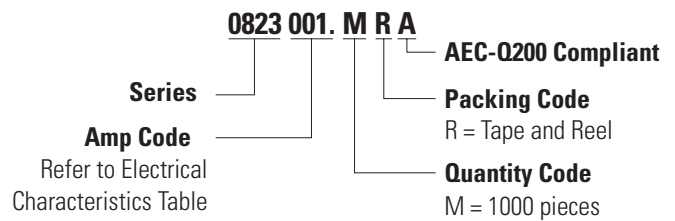
Dimensions in mm



Recommended Pad Layout



Part Numbering System



Part Marking System

Amp Code	Marking Code
001.	H
002.	F

Packaging

Packaging Option	Packaging Specification	Quantity	Quantity & Packaging Code
Tape and Reel	EIA-481-D	1000	MR

Disclaimer Notice - Information furnished is believed to be accurate and reliable. However, users should independently evaluate the suitability of and test each product selected for their own applications. Littelfuse products are not designed for, and may not be used in, all applications. Read complete Disclaimer Notice at <http://www.littelfuse.com/disclaimer-electronics>.