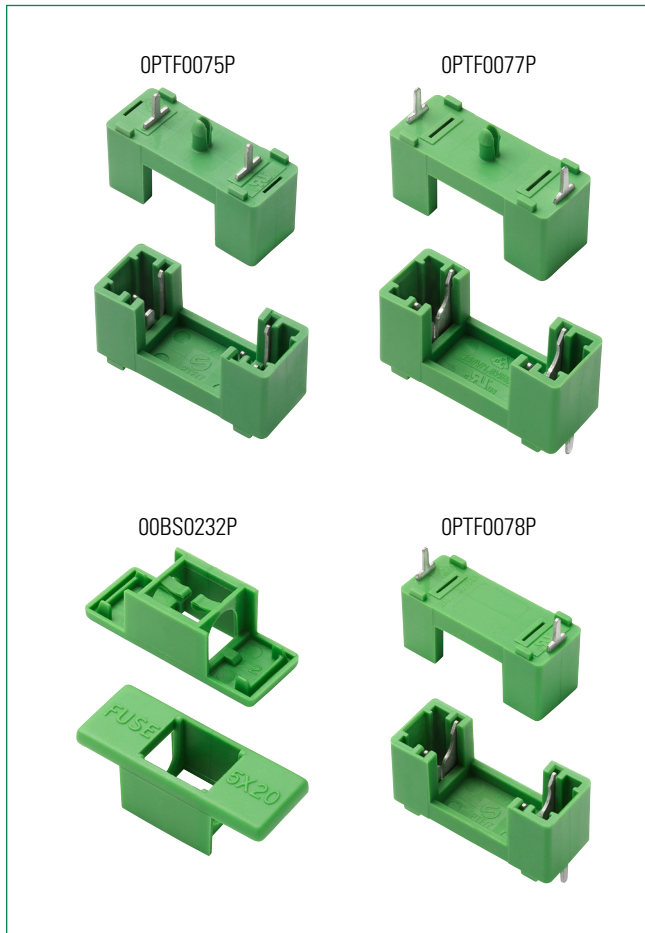


Cartridge Fuse Blocks

OPTF0075P, OPTF0077P, and OPTF0078P > Circuit Board Mountable



Product Characteristics

| OPTF0075P/OPTF0077P/OPTF0078P | |
|--|---|
| Compatible Fuses | 5x20 mm |
| Electrical Specifications | Rated Voltage: 250 V |
| | Rated Current: 6.3 A |
| | Rated Power: 1.6 W |
| Materials | Molded Holder (Block) and Cover: Green VE PA6/66 (UL94 V-0) |
| | PCB Terminals: Tin plated brass |
| Protection Class & Category | PC1 (IEC 60127-6) |
| Contact Resistance | ≤ 5 mΩ |
| Degree of Protection | IP 00 |
| Ambient Temperature | -30 °C to 120 °C |
| Solder Pot Temperature | 260 °C |
| Solder Dwell Time | 10 seconds |

Features and Benefits

- RoHS compliant and Lead-free
- UL recognized to UL 4248-1
- Include version of plug in to maintain the fuseblock into the correct position, while soldering process
- Low profile design for PC board mountable terminals for Pb-free wave soldering process
- Tin-plated leads for easy soldering process

Ordering Information

| Ordering PN | Description | Packaging |
|-------------|------------------|------------------------|
| OPTF0075P | Horizontal Mount | 1000 pieces, bulk pack |
| OPTF0077P | Horizontal Mount | 1000 pieces, bulk pack |
| OPTF0078P | Horizontal Mount | 1000 pieces, bulk pack |
| 00BS0232P | Cover | 1000 pieces, bulk pack |

Note
Panel minimum 0,8 mm and maximum 4,5 mm

Agency Approvals

| Agency | Agency File Number |
|--------|--------------------|
| | E14721 |
| | 7316 |
| | 97121 |

Additional Information



Resources



Accessories

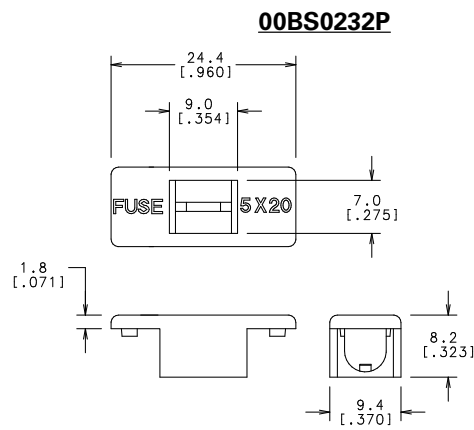
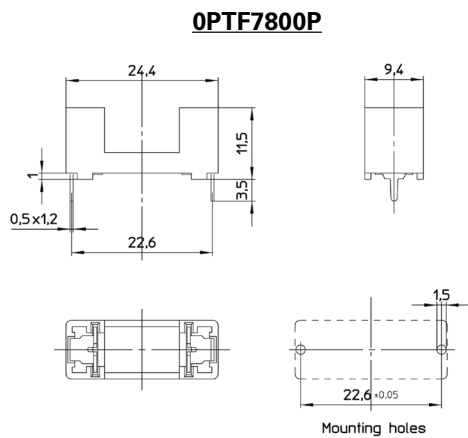
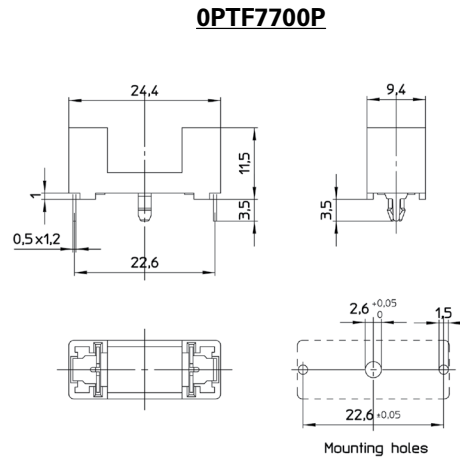
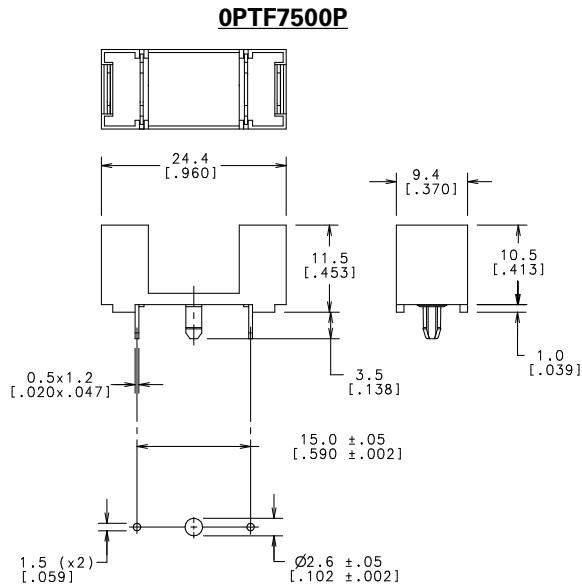


Samples

Cartridge Fuse Blocks

OPTF0075P, OPTF0077P, and OPTF0078P > Circuit Board Mountable

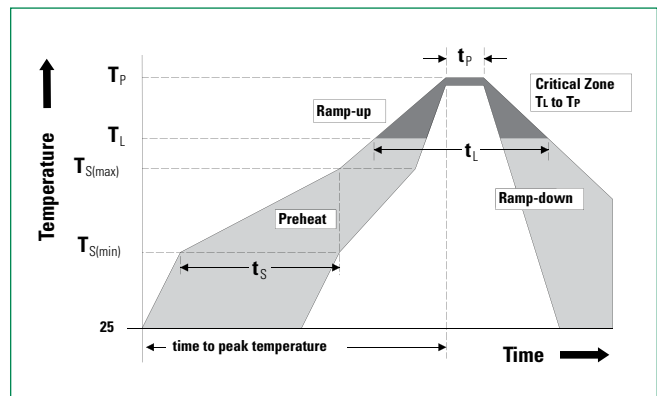
Product Dimensions (in mm)



Soldering Parameters—Wave Soldering

| Wave Parameter | Lead-Free Recommendation |
|---|-----------------------------------|
| Preheat: (Depends on Flex Activation Temperature) | (Typical Industry Recommendation) |
| Temperature Minimum | 100° C |
| Temperature Maximum | 150° C |
| Preheat Time | 60–180 seconds |
| Solder Pot Temperature | 260° C Maximum |
| Solder Dwell Time | 2–5 seconds |

Recommended Hand-Solder Parameters:
Solder Iron Temperature: 350° C +/- 5° C
Heating Time: 5 seconds max.



Disclaimer Notice - Information furnished is believed to be accurate and reliable. However, users should independently evaluate the suitability of and test each product selected for their own applications. Littelfuse products are not designed for, and may not be used in, all applications. Read complete Disclaimer Notice at <http://www.littelfuse.com/disclaimer-electronics>.