

Leaded Thermistors

NXU Series

Epoxy-Coated, Uninsulated NTC Thermistor

REACH 



Description

The NXU series leaded, epoxy-coated NTC thermistors are manufactured using state-of-the-art manufacturing techniques that result in a product with superior, long-term reliability characteristics suitable for temperature measurement, temperature control, and temperature compensation applications. These thermistors are epoxy-encapsulated for optimum performance and deliver precision accuracy with a fast thermal response time. Options include non-standard resistance values and tolerances, special lead materials and lengths, and point matching at specified temperatures.

Features

- Low cost
- Epoxy-encapsulated
- Small size
- Fast thermal response time
- High stability

Benefits

- Precision accuracy
- Cost-effective
- High stability
- Superior reliability

Applications

- Automotive
- Medical devices
- Wind turbines
- Personal computers
- Aerospace devices
- Fire alarms
- Temperature measurement, control, and compensation applications

Leaded Thermistors

NXU Series

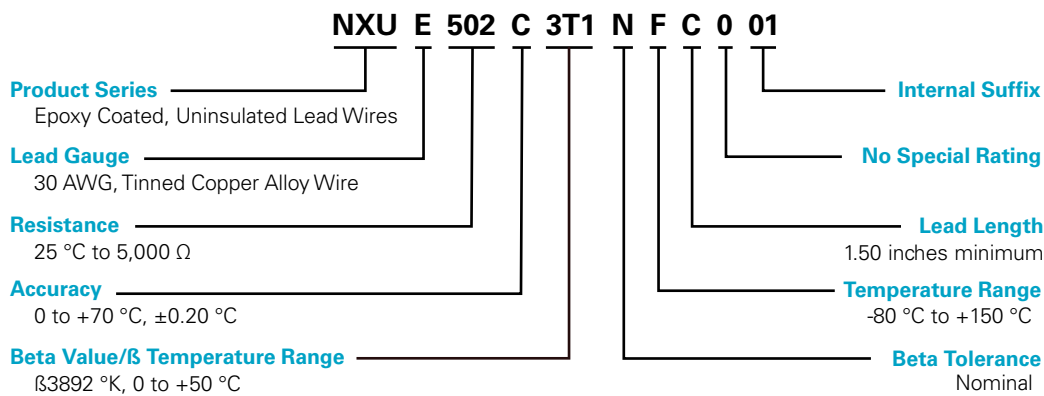
Specifications

PART NUMBER	RESISTANCE IN OHMS AT 25 C (Ω)	RESISTANCE TOLERANCE ± % @ 25 °C	BETA K 0-50 °C	OPERATING TEMPERATURE MAX °C	TEMPERATURE COEFFICIENT @ 25 °C	RESISTANCE-TEMPERATURE CURVE
NXUE502C3T1NFC001	5000	Nom	3892	150	-4.4% / °C	J
NXUF103J3T1NFC001	10000	5	3892	150	-4.4% / °C	J
NXUJ103F3T1NFB001	10000	1	3892	150	-4.4% / °C	J

Certification & Compliance

REACH	Reach Regulation (EC) No. 1907/2006
RoHS	RoHS 2 Directive 2011/65/EU; Directive (EU) 2015/863

Part Numbering System



Ordering Information

CATALOG NUMBER	PACKAGING
NXUE502C3T1NFC001	Bulk
NXUF103J3T1NFC001	Bulk
NXUJ103F3T1NFB001	Bulk

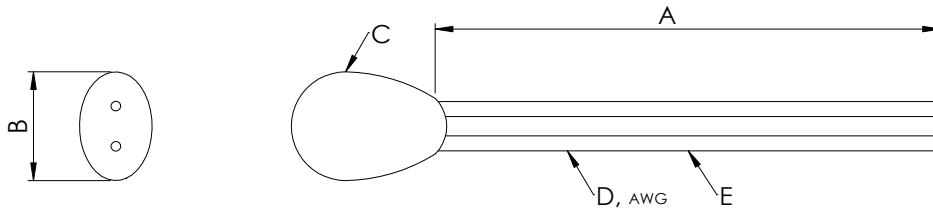
Electrical Specifications

RESISTANCE (25 °C) Ω	RESISTANCE TOLERANCE, ±%	ACCURACY (± °C)	TEMP. COEFFICIENT (%/°C)	BETA (K)	TEMP RATING (°C)	DISSIPATION CONSTANT (MW/ C)	THERMAL TIME CONSTANT(SEC)
100 to 100000	1 to 10	0.1 ~ 1	3.31 to 4.4	2000 ~ 5000	-55 ~ +150	2 ~ 4	1 ~ 15

Leaded Thermistors

NXU Series

Dimensions Inches (mm)



A	B	C	D	E
0.500" ~ 1.500" (12.7 ± 38.1 mm)	0.080" ~ 0.150" (2.032 to 3.81 mm)	Epoxy Coating	20 ~ 34 AWG	Tinned Solderable Wire

Disclaimer Notice – Information furnished is believed to be accurate and reliable. However, users should independently evaluate the suitability of and test each product selected for their own applications. Littelfuse products are not designed for, and may not be used in, all applications. Read complete Disclaimer Notice at www.littelfuse.com/product-disclaimer.