

# Surge Protection Devices

## SPD2 3P+1 SERIES

Class II/Type 2/Type 1 CA Pluggable Multi-Pole

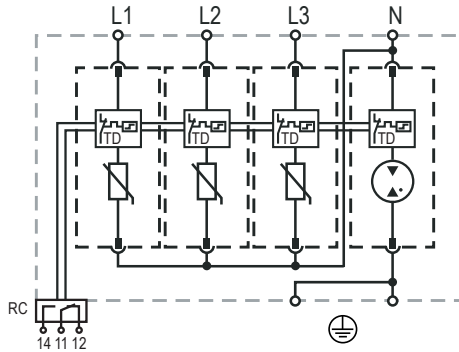


### Description

Surge protection devices (SPDs) provide equipment protection from transient overvoltage events lasting micro-seconds. By limiting the overvoltage to the equipment during these events, costly damage and downtime can be mitigated.

The surge protection devices for the 3+1 configuration are available for 240 V to 277 V nominal voltage sub-distribution board applications.

### Internal Configuration



### Legend

- L Line
- N Neutral
- ⊕ Protective Earth
- RC Remote Contacts
- TD Thermal Disconnection

### Features & Benefits

FEATURES	BENEFITS
<b>Capability to clamp and withstand high-energy transients</b>	Ensures low-residual voltage during high-energy surge events and higher nominal discharge current to prevent disruption, downtime, and degradation or damage to equipment
<b>UL Recognized and VDE-IEC compliant in single part number</b>	One component can be utilized globally, reducing inventory needs and simplifying allocation of parts
<b>Interlocking tab mechanism</b>	Secures module to withstand vibration
<b>No additional overcurrent protection devices required in UL applications</b>	Reduces the number of components and costs required for protection
<b>Compact footprint</b>	Increases panel design flexibility
<b>Visual life indicator</b>	Quick visual determines module replacement status to avoid loss of protection
<b>Pluggable modules</b>	Fast and simple to replace, minimizing maintenance and downtime. No tools required
<b>Thermal protection</b>	Eliminates catastrophic failure
<b>IP20 protection rating</b>	Finger-safe design increases worker protection

### Module & Base Ordering Information

Ordering Number	IEC Electrical									UL Electrical					Single Unit Weight
	Nominal AC Voltage (50/60Hz) ( $U_p/U_n$ )	Maximum Continuous Operating AC Voltage (L-N / N-PE $U_p$ )	Nominal Discharge Current (8/20 $\mu$ s) (L-N / N-PE $I_n$ )	Maximum Discharge Current (8/20 $\mu$ s) ( $I_{max}$ ) (L-N / N-PE $I_{max}$ )	Voltage Protection Level (L-N / N-PE $U_p$ )	Follow Current Interrupt Rating (N-PE $I_p$ )	Short-Circuit AC Current Rating (L-N) ( $I_{SCCR}$ )	TOV Withstand 5 s (L-N) ( $U_T$ )	TOV 120 min (L-N) ( $U_T$ ) / Mode	TOV Withstand 200 ms (N-PE) ( $U_T$ )	Maximum Continuous AC Operating Voltage (L-N / N-PE (MCOV))	Voltage Protection Rating (L-N / N-PE (VPR))	Nominal Discharge Current (8/20 $\mu$ s) (L-N / N-PE $I_n$ )	Short-Circuit Current Rating (L-N (SCCR))	
SPD2-300-3P1-R	240 V	300 V / 305 V	20 kA / 40 kA	50 kA / 65 kA	1500 V / 1500 V	100 A <sub>RMS</sub>	25 kA / 50 kA	337 V	442 V / Safe Fail	1200 V	300 V / 305 V	900 V / 1000 V	20 kA / 20 kA	150 kA	486 g (1.072 lb)
SPD2-350-3P1-R	277 V	350 V / 305 V	20 kA / 40 kA	50 kA / 65 kA	1750 V / 1500 V	100 A <sub>RMS</sub>	25 kA / 50 kA	403 V	529 V / Safe Fail	1200 V	350 V / 305 V	1000 V / 1000 V	20 kA / 20 kA	200 kA	501 g (1.105 lb)

# Surge Protection Devices

## SPD2 3P+1 SERIES

### Module & Base Part Numbering System



### Module Only Part Numbering System



### Replacement Module Ordering Information

Ordering Number	IEC Electrical										UL Electrical				Single Unit Weight
	Nominal AC Voltage (50/60Hz) (U <sub>o</sub> /U <sub>n</sub> )	Maximum Continuous Operating AC Voltage (L-N / N-PE U <sub>c</sub> )	Nominal Discharge Current (8/20 μs) (L-N / N-PE I <sub>n</sub> )	Maximum Discharge Current (8/20 μs) (L-N / N-PE I <sub>max</sub> )	Voltage Protection Level (L-N / N-PE U <sub>v</sub> )	Follow Current Interrupt Rating (N-PE I <sub>f</sub> )	Short-Circuit AC Current Rating (L-N I <sub>scip</sub> )	TOV/Withstand 5s (L-N U <sub>t</sub> )	TOV 120 min (L-N U <sub>t</sub> ) / Mode	TOV Withstand 200 ms (N-PE U <sub>t</sub> )	Maximum Continuous AC Operating Voltage (L-N / N-PE MCOV)	Voltage Protection Rating (L-N / N-PE VPR)	Nominal Discharge Current (8/20 μs) (L-N / N-PE I <sub>n</sub> )	Short-Circuit Current Rating (L-N SCCR)	
SPD2-040-M	0 V	40 V / 305 V	20 kA / 40 kA	50 kA / 65 kA	1500 V (N-PE)	100 A <sub>RMS</sub>	25 kA / 50 kA	N/A	N/A	1200 V	305 V (N-PE)	1000 V (N-PE)	20 kA / 20 kA	N/A	42 g (0.093 lb)
SPD2-300-M	240 V	300 V / 305 V	20 kA / 40 kA	50 kA / 65 kA	1500 V / 1500 V	100 A <sub>RMS</sub>	25 kA / 50 kA	337 V	442 V / Safe Fail	1200 V	300 V / 305 V	900 V / 1000 V	20 kA / 20 kA	150 kA	61 g (0.135 lb)
SPD2-350-M	277 V	350 V / 305 V	20 kA / 40 kA	50 kA / 65 kA	1750 V / 1500 V	100 A <sub>RMS</sub>	25 kA / 50 kA	403 V	529 V / Safe Fail	1200 V	350 V / 305 V	1000 V / 1000 V	20 kA / 20 kA	200 kA	66 g (0.146 lb)

### Specifications

<b>Network Systems</b>	IT, TT, TN-S
<b>Mode of Protection</b>	L-N, N-PE
<b>Nominal Discharge Current (8/20 μs) (L-N / N-PE I<sub>n</sub>)</b>	20 kA/40 kA
<b>Maximum Discharge Current (8/20 μs) (L-N / N-PE I<sub>n</sub>)</b>	50 kA/65 kA
<b>Protective Elements</b>	High Energy MOV and GDT
<b>Response Time (L-N / N-PE t<sub>A</sub>)</b>	< 25 ns
<b>Back-Up Fuse (max)</b>	315 A/250 A Gg
<b>Number of Ports</b>	1
<b>Mechanical &amp; Environmental</b>	
<b>Operating Temperature Range (T<sub>a</sub>)</b>	-40 °C to +80 °C (-40 °F to +185 °F)
<b>Permissible Operating Humidity (RH)</b>	5% to 95%
<b>Altitude (max)</b>	4,000 m (13,123 ft)
<b>Terminal Screw Torque (M<sub>max</sub>)</b>	4.5 Nm (39.9 lbf-in)
<b>Conductor Cross Section (max)</b>	35 mm <sup>2</sup> (2 AWG) (Solid, Stranded) / 25 mm <sup>2</sup> (4 AWG) (Flexible)
<b>Mounting</b>	35 mm DIN Rail, EN60715
<b>Degree of Protection</b>	IP20 (built-in)
<b>Housing Material</b>	Thermoplastic: Extinguishing Degree UL 94 V-0
<b>Thermal Protection</b>	Yes

### Operating State/Fault Indication

Green Flag/No Green Flag

### Remote Contact Switching Capacity

AC: 250 V/1 A, 125 V/1 A;  
DC: 48 V/0.5 A, 24 V/0.5 A, 12 V/0.5 A

### Remote Con Conductor Cross Section (max) Standards Passed

1.5 mm<sup>2</sup> (16 AWG) (Solid)  
IEC 61643-11:2011  
EN 61643-11:2012  
UL 1449, 4th edition; E320116

### Product Dimensions

#### 4TE Module and Base

**H** 90.0 mm (3.54"); **W** 72.0 mm (2.84");  
**D** 70.0 mm (2.76")

#### 1TE Replacement Module

**H** 45.0 mm (1.77"); **W** 18.0 mm (0.71");  
**D** 57.2 mm (2.25")

### Package Dimensions

#### 4TE Module and Base

**H** 102.0 mm (4.01"); **W** 82.0 mm (3.23");  
**D** 110.0 mm (4.33")

#### 1TE Replacement Module

**H** 102.0 mm (4.01"); **W** 28.0 mm (1.10");  
**D** 110.0 mm (4.33")

Warranty – Visit [www.littelfuse.com/warranty](http://www.littelfuse.com/warranty) for details.

Disclaimer Notice – Information furnished is believed to be accurate and reliable. However, users should independently evaluate the suitability of and test each product selected for their own applications. Littelfuse products are not designed for, and may not be used in, all applications. Read complete Disclaimer Notice at [www.littelfuse.com/product-disclaimer](http://www.littelfuse.com/product-disclaimer).