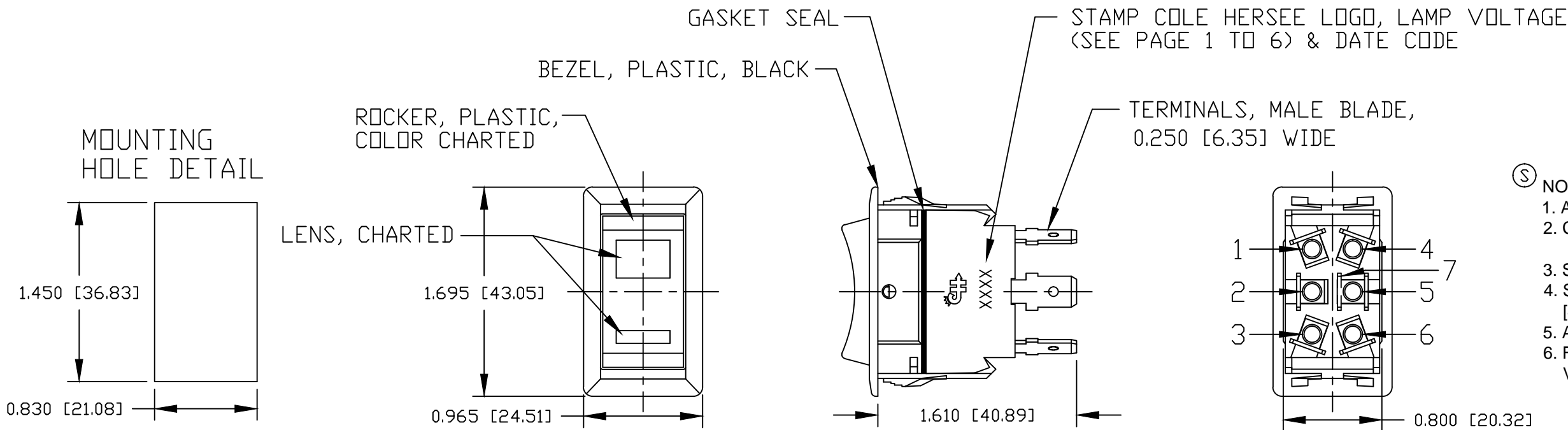


**Revision Control Record**

Rev.	Description of Change	ECN No.	Date
P	ADDED NOTE #4 & 5 on PG. 1 OBSOLETE -60 on PG. 5	02367	7/31/02
S	NOTE CHANGE	09378	7/30/09
T	NOTE CHANGE	17762	7/10/17



- Ⓢ NOTES:
1. ALL DIMENSION ARE REFERENCE ONLY
  2. CONTACT RATING; 25 AMPS @ 12V DC  
15 AMPS @ 24V DC
  3. SILVER CONTACTS
  4. SWITCH FITS IN 0.093 [2.36] THRU 0.158 [4.75] THICK PANEL
  5. ALL SWITCHES ARE WEATHER RESISTANT
  6. FOR PILOT VOLTAGE RATING SEE LAMP VOLTAGE CHART

ROCKER POSITIONS			IMPRINTING LOCATION						LENS LOCATION		
POSITION A	POSITION B	POSITION C	LOCATION D	LOCATION E	LOCATION F	LOCATION G	LOCATION H	LOCATION J	LOCATION K	LOCATION L	LOCATION M

ROCKER COLORS
BLACK
IMPRINT COLORS
WHITE
LAMP VOLTAGE
12V DC
24V DC

LENS COLORS
AMBER
BLUE
GREEN
RED
CLEAR

1	2	3	4	5	6	7	8	9	10	11

LAMP SCHEMATIC

<p><b>Tolerances</b> Unless otherwise specifically noted, the following are default tolerances;</p> <ul style="list-style-type: none"> <li>* 2-place Decimal Dimensions +/- .02"</li> <li>* 3-place Decimal Dimensions +/- .005"</li> <li>* Angular Dimensions +/- 1.0 Deg.</li> <li>* Metric: Refer to equivalent English Dimension Tolerance</li> </ul> <p>&gt;&gt;&gt; NOTE: All tolerances are Non-Cumulative. &lt;&lt;&lt;</p> <p><b>Dimensional Units</b> All dimensions are expressed in inches except those shown in brackets (xxx) are expressed in millimeters</p> <p>"REF." or an Asterisk (*) = Non-Toleranced Reference Dimension, shown for clarification purposes only.</p>	<p><b>PROPRIETARY INFORMATION</b> This Engineering Drawing, and the information contained herein, is proprietary to Cole Hersee Company and may not be disclosed, re-produced, or in any other way transferred or communicated to any other party without the express written consent of an authorized representative of Cole Hersee Company.</p> <p><b>DESIGN CONTROL</b> It is the responsibility of the individual using / referencing this drawing to assure that the noted design revision level agrees with the revision level of the Controlled Document (Master Drawing). This is a NON-CONTROLLED DOCUMENT unless otherwise specifically noted.</p> <p><b>DO NOT SCALE</b> - Dimensional variation may occur during printing / reproduction.</p>	<p><b>Key for Special Characteristics:</b></p> <ul style="list-style-type: none"> <li>Ⓢ Critical Characteristic, relating to Safety and/or Regulatory Compliance</li> <li>X Significant Characteristic relating to Process Control (SPC)</li> <li>Ⓢ Control Dimension relating to Form - Fit - Function as defined by Cole Hersee Company and/or the Customer</li> </ul> <p>(Note that the identification of any Characteristics as being "Special" does not alter the requirement that ALL specified dimensions &amp; tolerances must be met.)</p>	<p><b>Cole Hersee Co.</b> 20 Old Colony Ave., South Boston, MA, 02127 Phn: 617-268-2100 Web: www.colehersee.com</p>		
<p>Used On or Ref.:</p>	<p>Scale: <b>1:1</b></p>	<p>Drawn By: <b>MJT</b></p>	<p>Date: <b>2/7/95</b></p>	<p>Responsible Engineer:</p>	<p><b>Description:</b> <b>ROCKER SWITCH</b></p>
<p>Drawing / Part No.:</p>	<p><b>58328-CHART</b></p>	<p>Current Rev.:</p>	<p><b>T</b></p>	<p>Pg. 1 of 6</p>	<p><b>58328-CHART T</b></p>