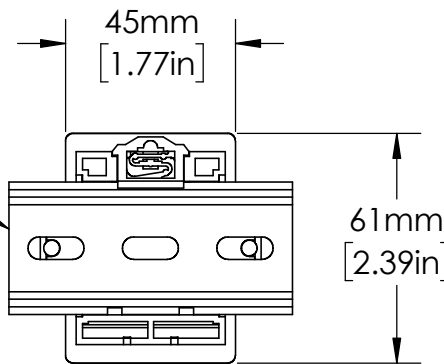


103mm  
[4.06in]

OT11PC  
RELAY SOCKET

EN550022 (35.0 x 7.5)  
DIN RAIL SHOWN



UNLESS NOTED OTHERWISE  
DIMENSIONS ARE IN INCHES  
TOLERANCES:  
TWO PLACE DECIMAL ±0.05  
NOT DRAWN TO SCALE

|                  |          |
|------------------|----------|
| MATERIAL         |          |
| NAME             | DATE     |
| DRAWN BY J.MOLER | 12/29/22 |



DESCRIPTION: PUMP AND LIQUID  
LEVEL CONTROL

PART NUMBER: LLC6 SERIES REV A

WEIGHT: SHEET 1 OF 1