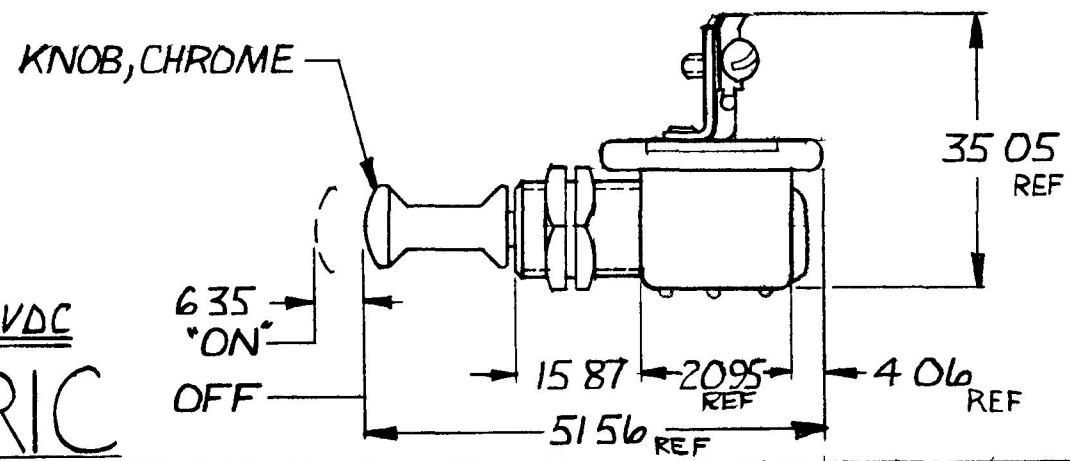
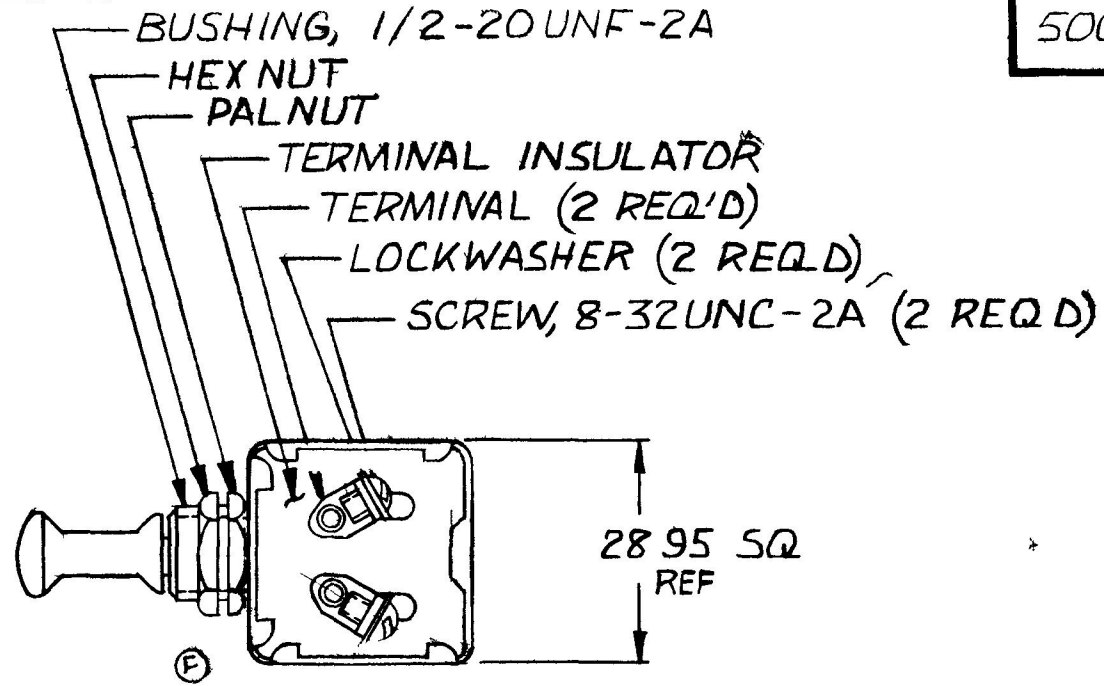


25 010
 4 06 120
 6 75 250
 15 87 625
 20 95 825
 23 95 140
 35 05 380
 51 56 2030

50002



NOTE
 1 SILVERED CONTACT SURFACES
 2 ALL STEEL PARTS PLATED
 3 ALL PARTS MUST BE ASSEMBLED DO NOT SCALE

LET	WAS	DATE	BY	LET	WAS	DATE	BY	MATERIAL	W	PPRV	SC LE	DATE DRAWN
								H	PJB	826-80	11	1-20-53
								FINISH				DATE BLUEPRINT
				G	E N #9974	5/1/54	RF		 Cole Hersee Co. <small>ON SOU BO ON MA</small>			
				F	ECN 27164 ADD CUTOUTS	2/23/58	JH	TOLERANCES				
				E	REDRAWN	8-2-81	W	DECIMAL ± METRIC ± .25	PUSH-PULL SWITCH			50002

CH 188(4 78)