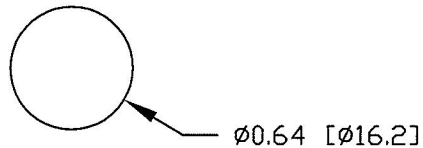
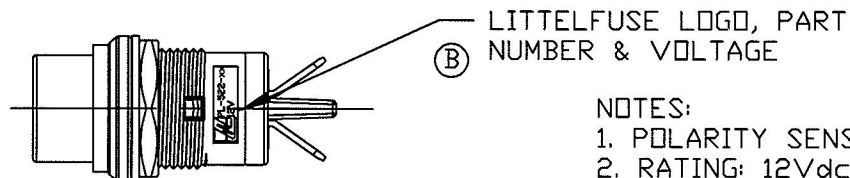
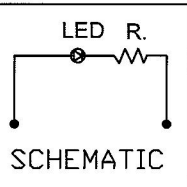
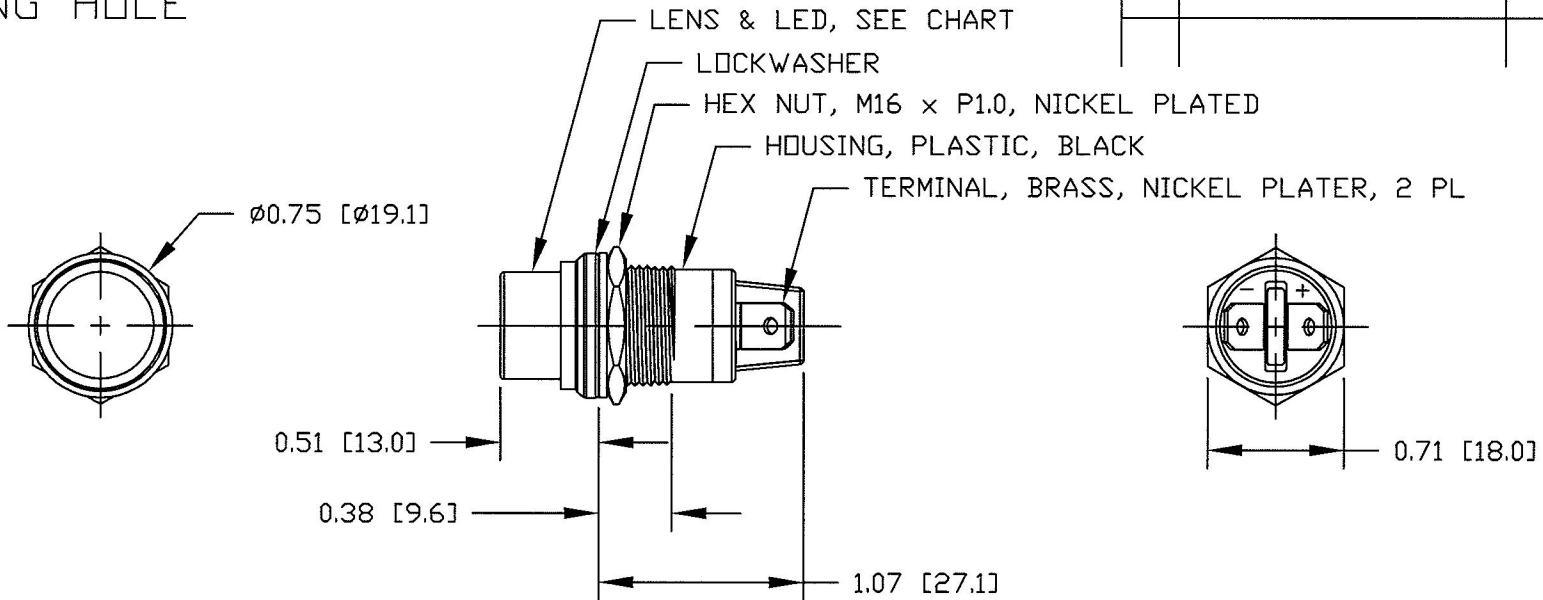


**Revision Control Record**

Rev.	Description of Change	ECN No.	Date
A	RELEASED DRAWING	11391	10/28/11
B	ADDED LABEL	12061	2/15/12



MOUNTING HOLE



- NOTES:  
 1. POLARITY SENSITIVE  
 2. RATING: 12Vdc  
 3. ILLUMINATION: 500 LUX

PL-522-RC	RED
PL-522-GC	GREEN
PL-522-AC	AMBER
PT NO	LENS & LED COLOR

**Tolerances** Unless otherwise specifically noted, the following are default tolerances;

**2-places**  $\pm 0.02''$     **3-places**  $\pm 0.005''$     **Angular**  $\pm 1'$

Metric: Shown in [ ] refers to equivalent English Dim Tol

"REF." or an Asterisk (\*) = Non-Toleranced Reference Dimension, shown for clarification purposes only.

NOTE: All tolerances are Non-Cumulative.

**PROPRIETARY INFORMATION**  
 This Engineering Drawing, and the information contained herein, is proprietary to Cole Hersee Company and may not be disclosed, re-produced, or in any other way transferred or communicated to any other party without the express written consent of an authorized representative of Cole Hersee Company.

**Special Characteristics:**

- CC** Critical Characteristic, relating to Safety and/or Regulatory Compliance
- X** Significant Characteristic relating to Process Control
- KC** Control Dimension relating to Form - Fit - Function as defined by Cole Hersee Company and/or the Customer



**Cole Hersee Co.**

20 Old Colony Ave., South Boston, MA, 02127  
 Phn: 617-268-2100 Web: www.colehersee.com

**Description:**

**PILOT LIGHT, LED**

Drawing / Part No.:

**PL-522**

Current Rev.

**B**