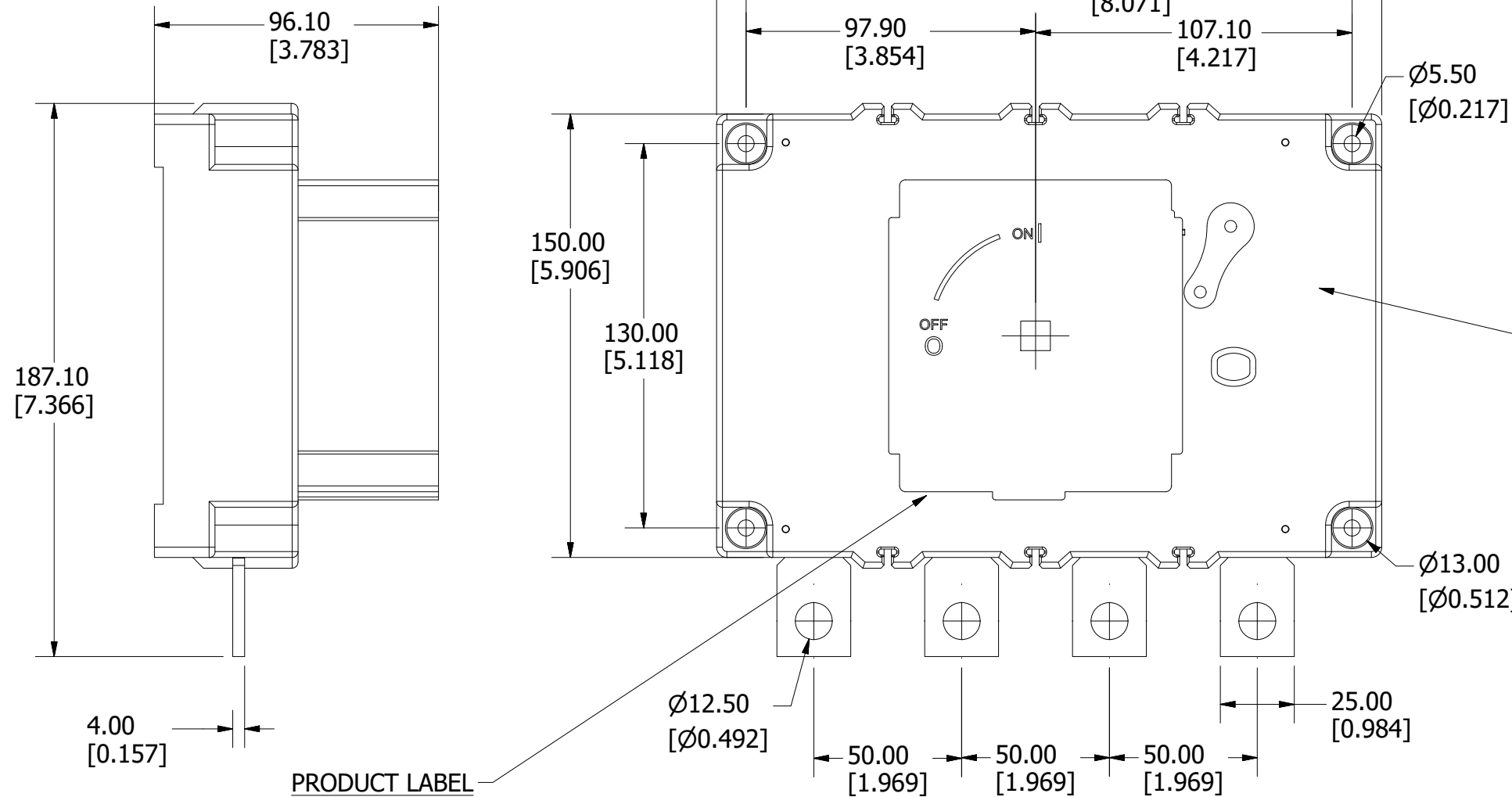


| | |
|---------------|-------------|
| PART NUMBER | UPC CODE |
| LS602502ES00L | 07945826641 |

| REVISION | | |
|----------|---------|----------------------------------|
| REV | DATE | DESCRIPTION |
| A | 4/21/20 | 522213GCP - RELEASE MRY |
| B | 7/20/20 | 522414ECP/D - ADD DIMENSIONS MRY |



SPEC LABEL

See instructions 44072012

Par apriete terminal lugs
Terminal torque
Couple de serrage 18 Nxm
des terminaux 159 lbfxin

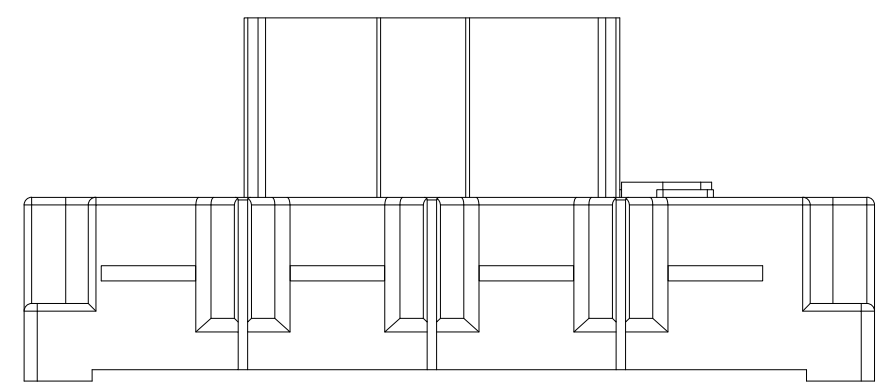
Bolsa terminales
Kit terminal lugs LDRTL11W
Kit de terminaux

Tipo cable
Wire type Cu
Type de câble

Rango de temperatura
Temperature rating
Intervale de
temperatures 75 °C

Fecha de fabricación
Manufacture date 01/08/20
Date de fabrication

PRODUCT LABEL



| | |
|-----|--|
| <S> | CRITICAL CHARACTERISTIC FOR PART SAFETY/COMPLIANCE |
| ● | DENOTES CRITICAL CHARACTERISTICS. |
| CPK | DENOTES CPK DIMENSIONS, -MINIMUM CPK VALUE |
| ⬡ | DENOTES A CHARACTERISTIC THAT PROVIDES AN INDICATION OF PROCESS PERFORMANCE. PROCEDURE FOR MEASUREMENT AND TRACKING TO BE DEFINED IN LITTELFUSE INSPECTION INSTRUCTIONS. |
| CP | DENOTES CP DIMENSIONS, -MINIMUM CP VALUE MUST BE WITHIN THE DIMENSIONAL LIMITATIONS SHOWN ON DRAWING AND INITIALLY LOCATED TO ALLOW FOR MAXIMUM TOOL LIFE. |

| | | | |
|-----------|-----------------|-----------|----------------------------|
| MATL SPEC | FINISH | | |
| DRW myork | DATE 11/11/2019 | SCALE NTS | FINISH GOOD WT GRAMS/PIECE |

UNLESS OTHERWISE SPECIFIED, DIMENSIONS ARE IN MILLIMETERS, DIMENSIONS IN BRACKETS [] ARE INCHES DIMENSIONING AND DO NOT INCLUDE PLATING. TOLERANCING TO BE INTERPRETED IN ACCORDANCE WITH ANSI Y14.5M-1994



TITLE DISCONNECT SWITCH 250A 1000VDC 2 POLE OUTLINE

| | | | |
|-------------------------|------------|---------------------------|--------------|
| CHICAGO, ILLINOIS 60631 | REVISION B | DRWG NO. OL-LS602502ES00L | SHEET 1 OF 1 |
|-------------------------|------------|---------------------------|--------------|