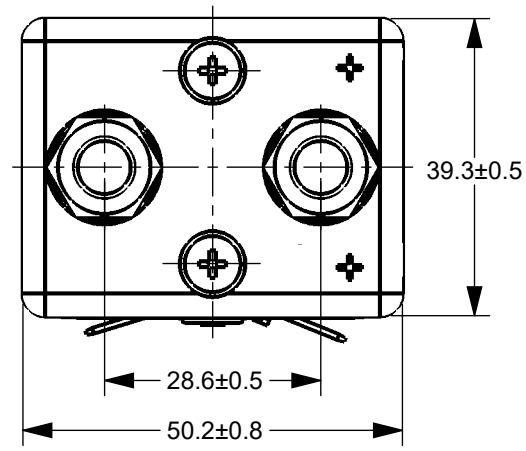
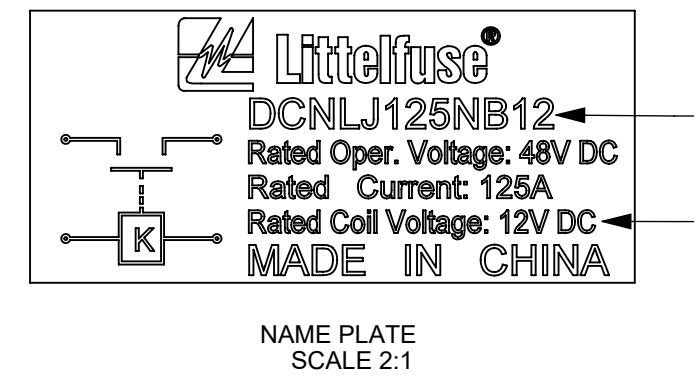
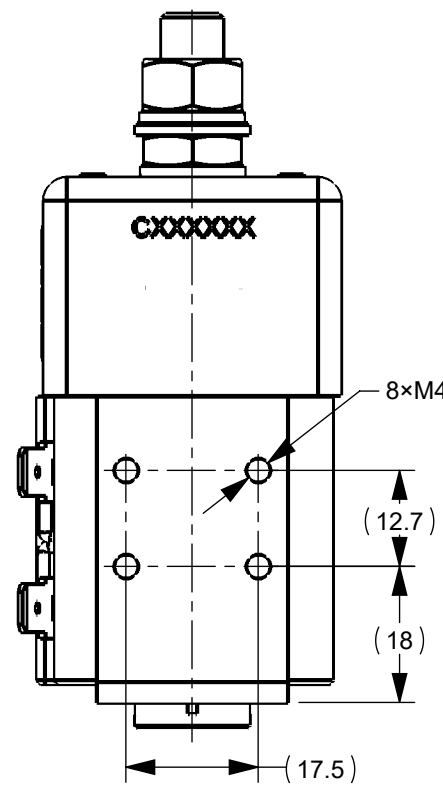
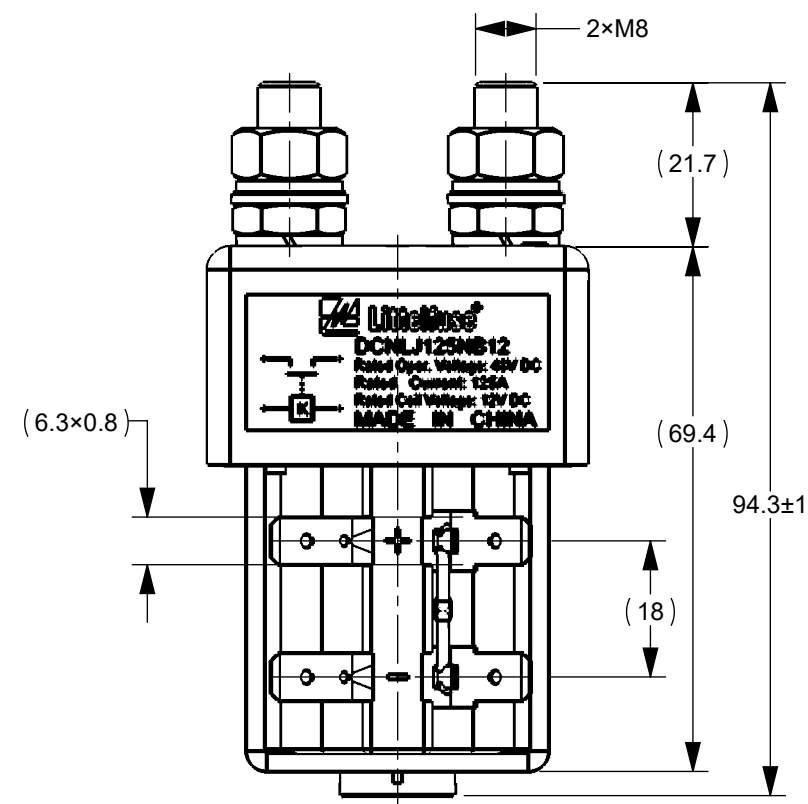
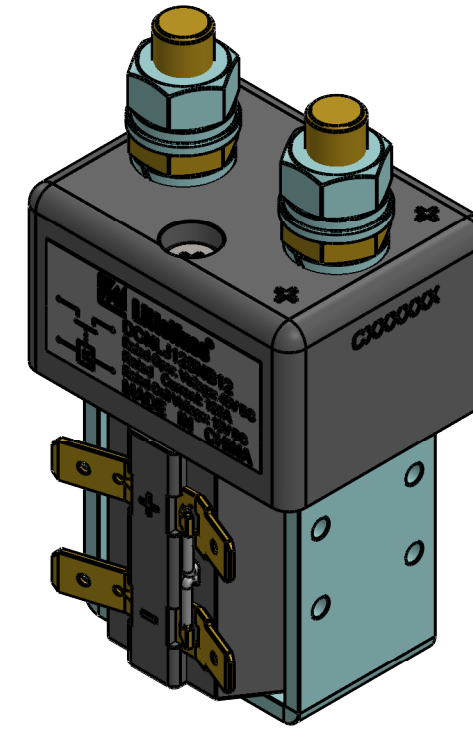
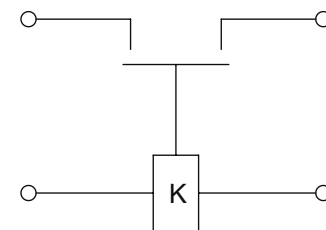


THIS DRAWING AND THE INFORMATION CONTAINED WITHIN IT ARE CONFIDENTIAL AND MAY NOT BE COPIED OR DISCLOSED WITHOUT THE WRITTEN PERMISSION OF LITTELFUSE.

REVISIONS				
ZONE	REV.	DESCRIPTION	DATE	APPROVED
	A	GCF#524672 INITIAL RELEASE	OCT./25/2021	D. ZHANG



CIRCUIT SCHEMATIC DIAGRAM



● TABLE 1: TECHNICAL PARAMETERS

ITEM	PARAMETER			
	DCNLJ125NB12	DCNLJ125NB24	DCNLJ125NB60	
MAXIMUM CONTACT VOLTAGE	60V DC			
RATED CONTACT VOLTAGE	48V DC			
RATED CONTACT CURRENT	125A			
RATED COIL VOLTAGE	12V DC	24V DC	60V DC	
OPERATING VOLTAGE IN COLD STATE @ (20±5)°C	PICKUP	8.4V MAX	16.8V MAX	42V MAX
	RELEASE	1V MIN	2V MIN	6V MIN
OPERATING TIME IN COLD STATE @ (20±5)°C	OPERATE TIME	MAX 30ms		
	RELEASE TIME	MAX 30ms		
	BOUNCE TIME	MAX 5ms		
CONTACT VOLTAGE DROP	≤80mV@100 A			
DIELECTRIC STRENGTH	1000V AC, 50Hz,1min, LEAKAGE CURRENT ≤1 mA			
INSULATION RESISTANCE	≥50 MΩ@500VDC			
ELECTRIC LIFE	6000 CYCLES			
MECHANICAL LIFE	100,000 CYCLES			
WORKING DUTY	CONTINUOUS			

TABLE 2

NO.	PN	NAME PLATE		REMARK
		"A"	"B"	
1	DCNLJ125NB12	DCNLJ125NB12	Rated Coil Voltage: 12V DC	
2	DCNLJ125NB24	DCNLJ125NB24	Rated Coil Voltage: 24V DC	
3	DCNLJ125NB60	DCNLJ125NB60	Rated Coil Voltage: 60V DC	

NOTES:

- ALL DIMENSIONS ARE REFERENCE ONLY.
- PRODUCT TYPE: NORMALLY OPEN RELAY.
- MATERIALS AND FINISH:
  - BASE: PHENOLPLASTIC, UL94V-0.
  - CONTACTS: SILVER ALLOY.
  - STUD: COPPER ROD.
- CONTACT STUD: M8 STUD, RECOMMENDED TORQUE: 7N•m~10N•m.
- PRODUCT TECHNICAL PARAMETERS: SEE TABLE 1.
- SEE TABLE 2 FOR CONFIGURATION AND PNs.

DIMENSIONS ARE SHOWN IN MILLIMETERS. DIMENSIONS AND TOLERANCES ARE DEFINED ACCORDING TO ANSI/ASME Y14.5-1994.

PER CHN-PPD-008 PROCEDURE	●	FTI/ FUNCTION CRITICAL CHARACTERISTICS
	<S>	SAFETY/ COMPLIANCE CRITICAL CHARACTERISTICS SYMBOL
	CPK	DENOTES CPK DIMENSIONS MINIMUM CPK VALUE
	(ST)	DENOTES A CHARACTERISTIC THAT PROVIDES AN INDICATION OF PROCESS PERFORMANCE. PROCEDURE FOR MEASUREMENT AND TRACKING TO BE DEFINED IN LITTELFUSE INSPECTION INSTRUCTIONS
	CP	DENOTES CP DIMENSIONS. -MINIMUM CP VALUE MUST BE WITHIN THE DIMENSIONAL LIMITATIONS SHOWN ON DRAWING AND INITIALLY LOCATED TO ALLOW FOR MAXIMUM TOOL LIFE

NAME	DATE	<p><b>Expertise Applied   Answers Delivered</b></p>	
DRAWN	JY. SHI		OCT./8/2021
CHECKED	J. LI		OCT./15/2021
FORM NO. CVP-PE40-0005 REV B	TITLE		DCNLJ 125A 48V CONTACTOR
THIRD ANGLE PROJECTION	SIZE		C
	DWG. NO.	REV.	A
DO NOT SCALE DRAWING	SCALE 1:1	SHEET 1 OF 1	