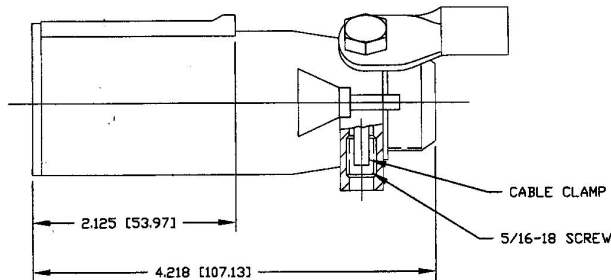
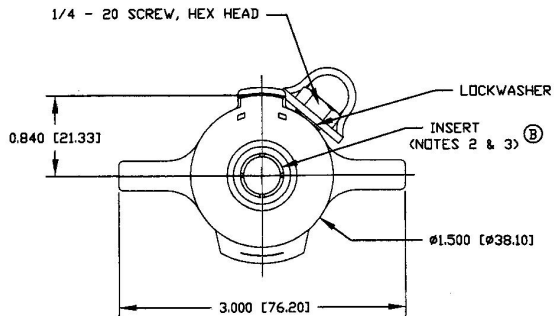
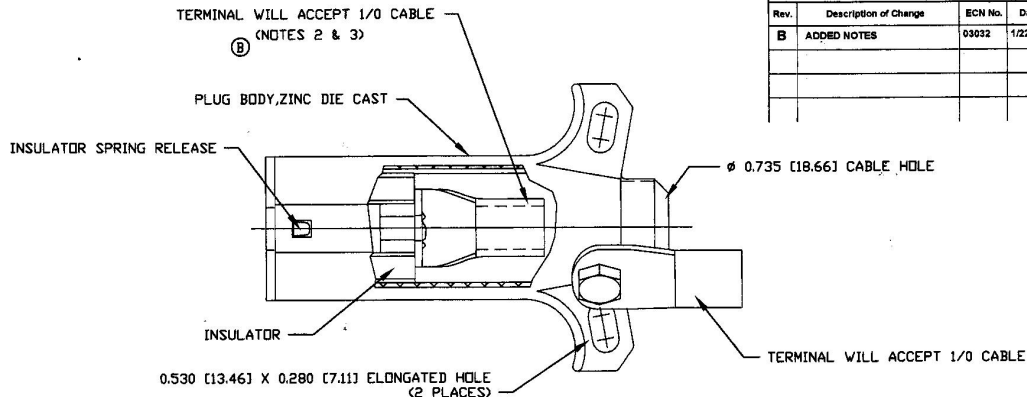


Revision Control Record

Rev.	Description of Change	ECN No.	Date
B	ADDED NOTES	03032	1/22/03



NOTES:

1. ALL STEEL PARTS PLATED
2. THE TERMINAL & INSERT SUB-ASSEMBLY MAY ROTATE IN THE INSULATOR.
3. THE TERMINAL MUST BE SECURELY STAKED TO THE INSERT.
4. ALL DIMENSIONS ARE REFERENCE ONLY

Tolerances: Unless otherwise specifically noted, the following are default tolerances:
 • Surface Textured Dimensions: ± 0.015
 • Surface Smooth Dimensions: ± 0.005
 • Angular Dimensions: ± 0.5 Deg.
 • Holes: Refer to approved English Dimensional Tolerances and NOTE: All tolerances are Plus-Unilateral, unless otherwise specified.
Dimensional Units: All dimensions are expressed in inches except those shown in brackets (xxx) are expressed in millimeters.
ASME or an ASME/ANSI Metric-Toleranced Reference Dimension, shown for identification purposes only.

MANUFACTURER'S RESPONSIBILITY: This Engineering Drawing, and the dimensions contained therein, is prepared by Cole Hersee Company and may not be dimensioned, reworked, or in any other way transferred or communicated to any other party without the express written consent of an authorized representative of Cole Hersee Company.
GENERAL NOTE: It is the responsibility of the individual using/replicating this Drawing to ensure that the initial design retains local agreement with the revision level of the Controlled Document (Master Drawing). This is a NON-CONTROLLED DOCUMENT unless otherwise specifically noted.
DO NOT SCALE: Dimensional variations may occur during printing/ reproduction.

Basic Characteristics:
 • Critical Characteristics, relating to Safety and/or Regulatory Compliance
 • Significant Characteristics relating to Process Control (PC)
 • Control Dimension relating to Form - Fit - Function as defined by Cole Hersee Company under the trademark
 (Note that the identification of any Characteristics as being "Special" does not alter the requirement that ALL specified dimensions & tolerances must be met.)

Used On: **EX22839C** Scale: **1:1** Date: **1/17/89** Responsible: **SAM** Pg. **1**
 of Rev.: Drawn By: **LIZ** Engineer:

Cole Hersee Co.
 20 Old Colony Ave., South Boston, MA, 02187
 Phone: 617-368-3100 Web: www.colehersee.com

Description: SINGLE POLE PLUG

Drawing / Part No.: **11042** Current Rev.: **B**