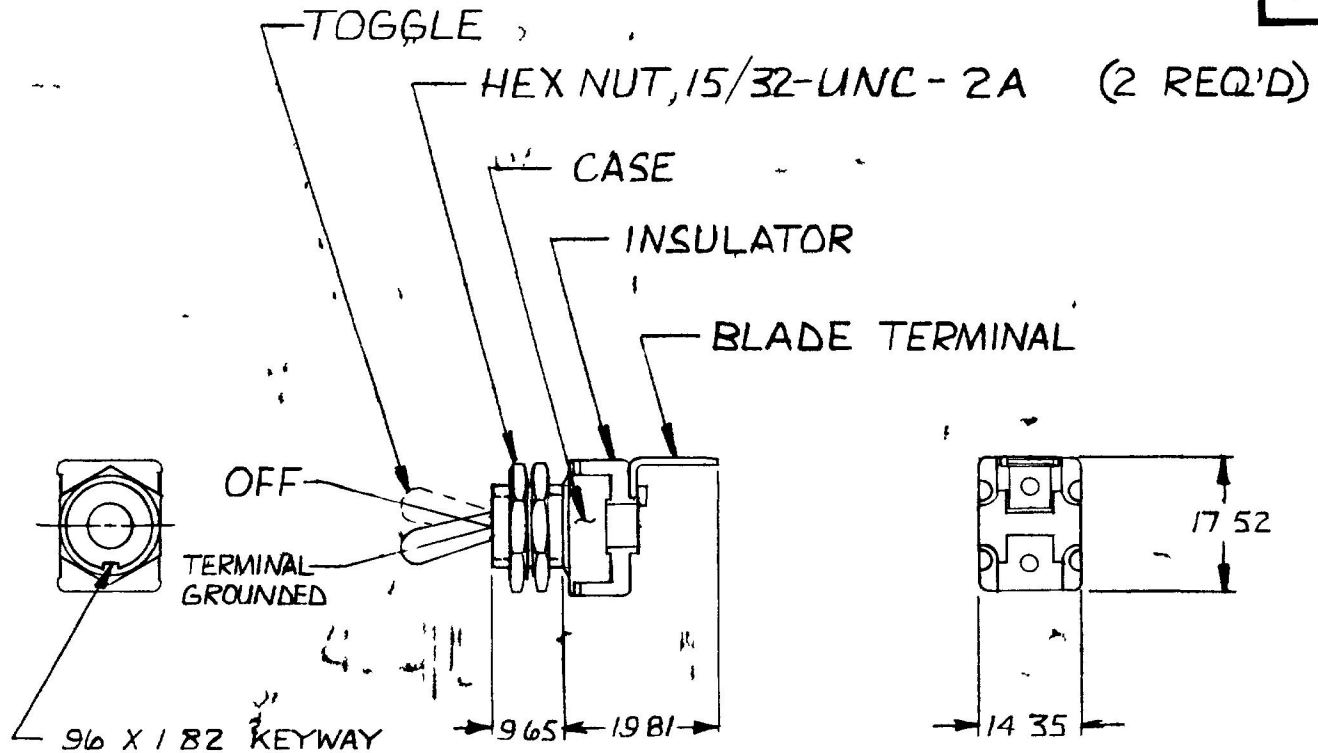


AAA 124  
 25 010  
 96 038  
 182 072  
 965 380  
 1435 565  
 1752 690  
 1981 780

55089




EX19154

NOTE  
 1 ALL STEEL PARTS PLATED

METRIC

DO NOT SCALE

LET	WAS	DATE	BY	LET	WAS	DATE	BY	MATERIAL	DRAWN	CHECKED	APPR'D	SCALE	DATE DRAWN
								—H—	(R)	R7		1:1	11-19-80
								FINISH	 COLE HERSEE CO. 200 OLSON HWY SOUTH BRIDGE NH 03277				DATE BLUEPRINT
								—H—					
								TOLERANCES	SP-ST TOGGLE SWITCH				55089
								DECIMAL ±					
								METRIC ± 25					
					ISSUED	1-13-81	RJ						

CH 188(4 78)