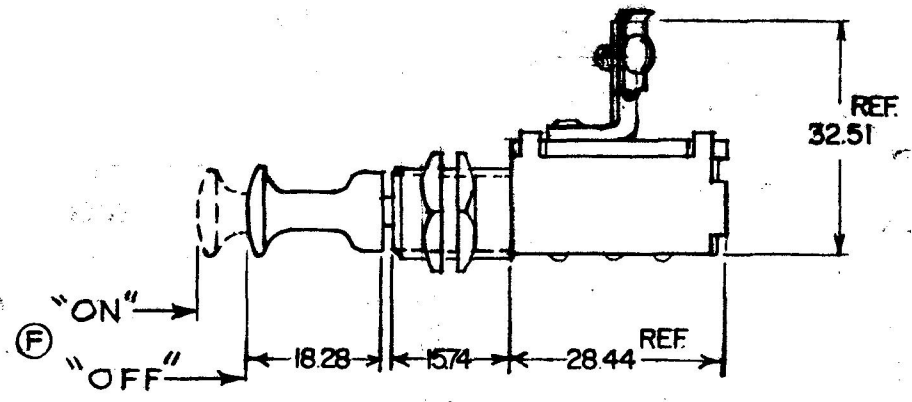
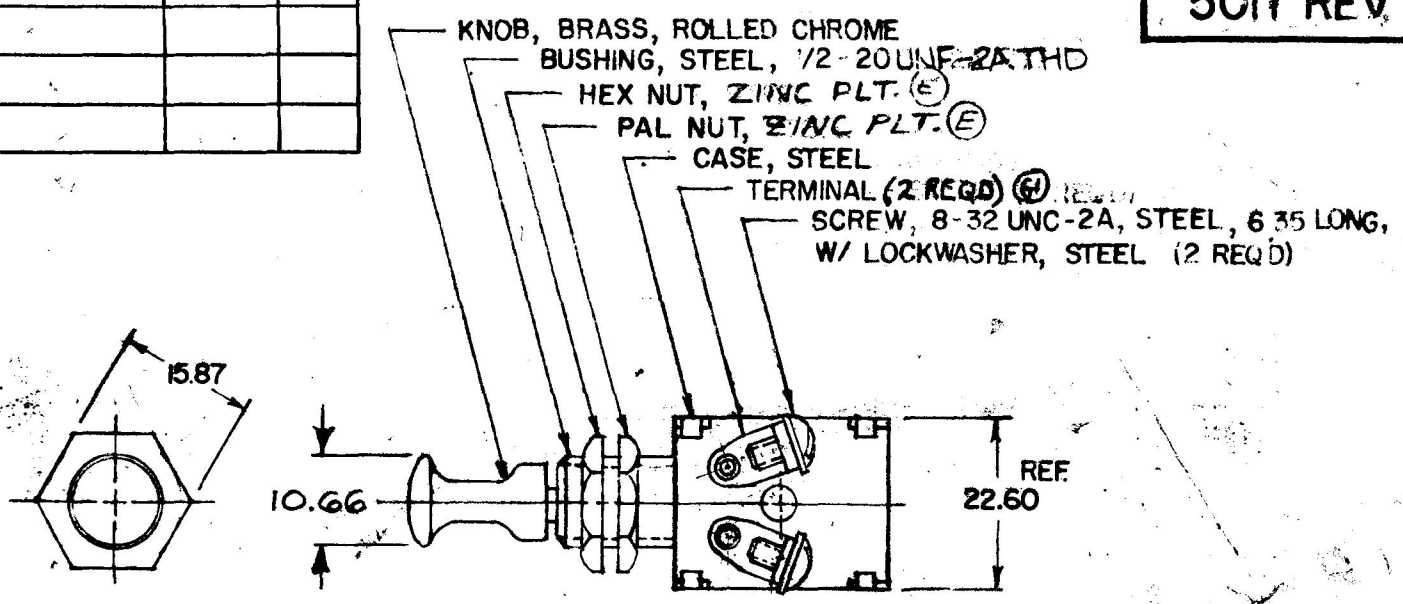


COLE-HERSEE CO.

MM	IN
.25	.010
6.35	.250
10.06	.400
15.74	.620
18.78	.750
22.60	.890
28.44	1.120
32.51	1.280

5011 REV

SEQ.	DEPT.	OPERATING INSTRUCTIONS	DIE	MACH.



METRIC

NOTE:
 (G) ALL STEEL PARTS PLATED INO PLT. W/
 DIE CASTING

DO NOT SCALE

LET	WAS	DATE	BY	LET	WAS	DATE	BY	MATERIAL	DRAWN	CHECKED	APPR'D.	SCALE	DATE DRAWN
									EHD	1-31-79		1:1	2-19-59
								STEEL					
								COBOLZINC/2523					
								ADD ON/OFF/23176					
								REV/200815					
								REDRAWN					

COLE-HERSEE COMPANY
 BOSTON, MASS. 02127, U.S.A.

PUSH-PULL SWITCH

5011 REV.

SPAULDING CO., INC.