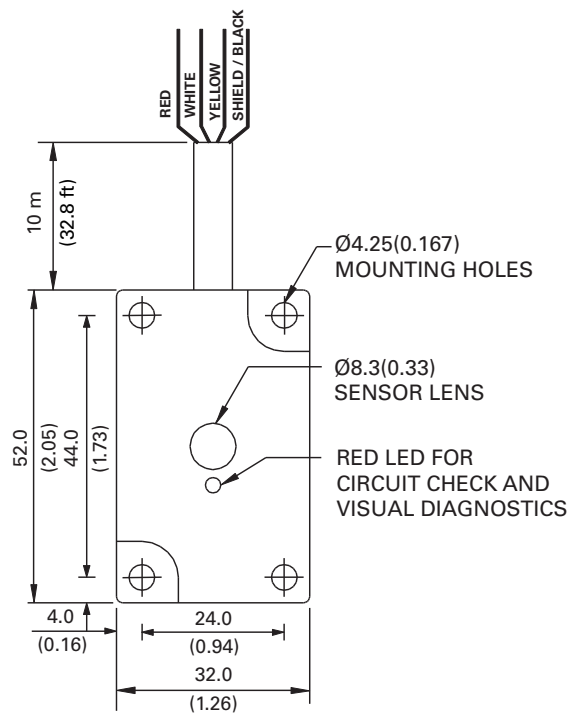
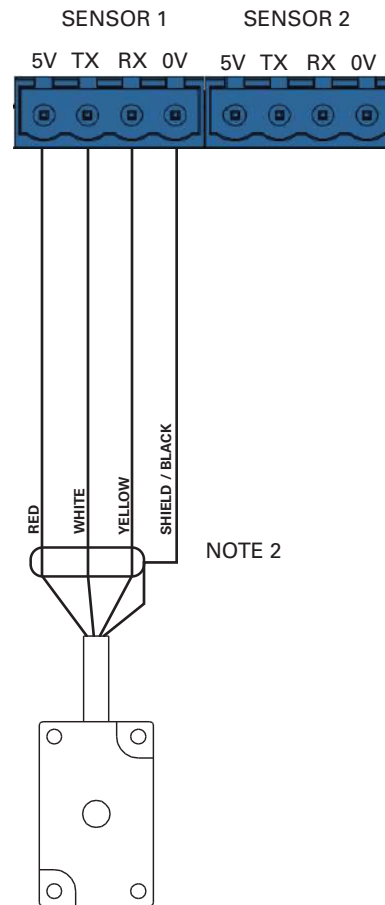


POINT SENSOR SIDE VIEW



POINT SENSOR TOP VIEW



NOTES

1. DIMENSIONS IN MILLIMETERS (INCHES) UNLESS OTHERWISE STATED.
2. UP TO 2 PGA-LS10-01B PHOTOELECTRIC POINT SENSORS WITH BUILT-IN CIRCUIT CHECK CAN BE CONNECTED.
3. THE PGA-LS10-01B SENSOR SHIPS ASSEMBLED WITH A PLUG-IN CONNECTOR. IT MAY BE NECESSARY TO DISCONNECT THE PLUG-IN CONNECTOR DURING INSTALLATION.

TERMINAL	FUNCTION	COLOR
5V	SUPPLY	RED
TX	CIRCUIT CHECK TRANSMIT	WHITE
RX	RECEIVE	YELLOW
0V	SHIELD	BLACK/COPPER