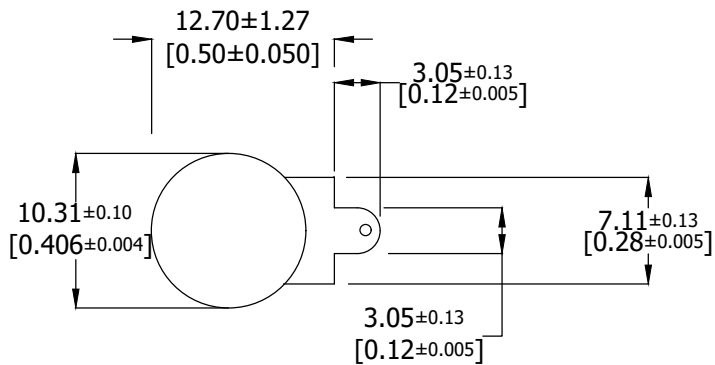


**MOUNTING HOLE
DETAIL**



REVISION		
REV	DATE	DESCRIPTION
A	4/10/18	519040GCP - RELEASE MRY
B	10/1/20	522868ECP/D - ADD CAP-LEAD TOLERANCE MRY

NO	COMPONENT NO	DESCRIPTION	QTY/M	U/M
----	--------------	-------------	-------	-----

BILL OF MATERIAL

●	DENOTES CRITICAL CHARACTERISTICS.
CPK	DENOTES CPK DIMENSIONS, -MINIMUM CPK VALUE
⬡	DENOTES A CHARACTERISTIC THAT PROVIDES AN INDICATION OF PROCESS PERFORMANCE. PROCEDURE FOR MEASUREMENT AND TRACKING TO BE DEFINED IN LITTELFUSE INSPECTION INSTRUCTIONS.
CP	DENOTES CP DIMENSIONS, -MINIMUM CP VALUE MUST BE WITHIN THE DIMENSIONAL LIMITATIONS SHOWN ON DRAWING AND INITIALLY LOCATED TO ALLOW FOR MAXIMUM TOOL LIFE.

A

MATL SPEC	FINISH
-----------	--------

DRW M. YORK	DATE 3/14/2018	SCALE NTS	FINISH GOOD WT GRAMS/PIECE
----------------	-------------------	--------------	-------------------------------

UNLESS OTHERWISE SPECIFIED, DIMENSIONS ARE IN MILLIMETERS, DIMENSIONS IN BRACKETS [] ARE INCHES DIMENSIONING AND DO NOT INCLUDE PLATING. TOLERANCING TO BE INTERPRETED IN ACCORDANCE WITH ANSI Y14.5M-1994

3RD ANGLE PROJECTION	
-------------------------	--

TITLE	SPF W/ LEADS
--------------	--------------

Littelfuse CHICAGO, ILLINOIS 60631	REVISION B	DRWG NO. OL-0SPF000.HXR	SHEET 1 OF 1
--	----------------------	-----------------------------------	--------------