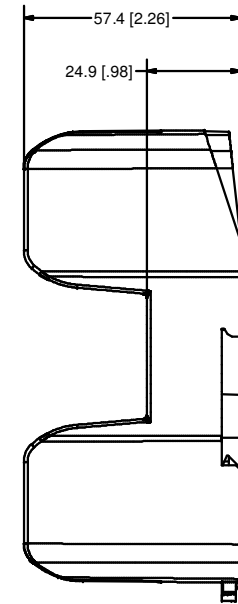
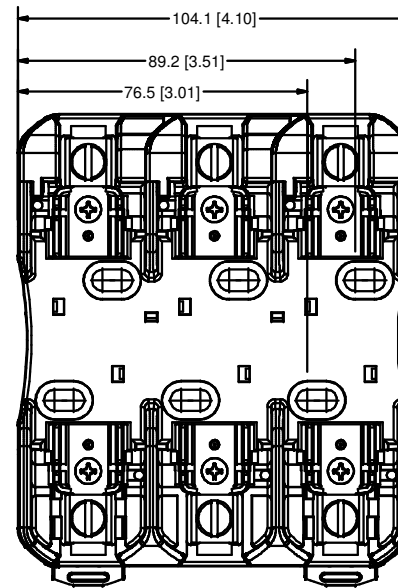
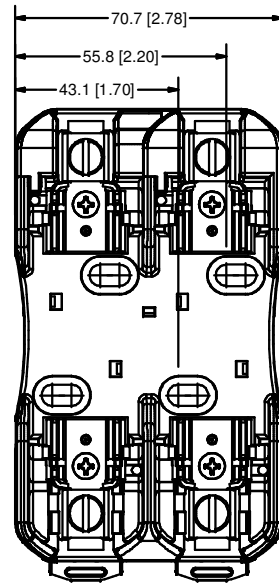
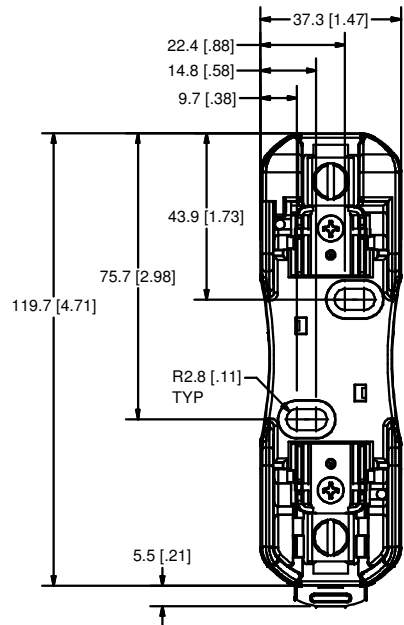


REVISION		DESCRIPTION
REV	DATE	Value
A	12/22/2006	



**SPECIFICATIONS:**

**VOLTAGE RATING:** 250V

**AMPERE RATING:** 60 AMPERES

**INTERRUPT RATING:** 10kA

**TERMINAL TYPE:** BOX LUG

**SUGGESTED TORQUE:** 5.6 N-m (50 IN-LBS) 2-4 AWG  
2.8 N-m (25 IN-LBS) 6-14 AWG

**WIRE RANGE:** 2-14 AWG Cu/Al  
SOLID/STRANDED

**APPROVALS:** UL LISTED (FILE NO. E14721)  
CSA CERTIFIED (FILE NO. LR73091)

●	DENOTES CRITICAL CHARACTERISTICS.		
CPK	DENOTES CPK DIMENSIONS, -MINIMUM CPK VALUE		
(ST)	DENOTES A CHARACTERISTIC THAT PROVIDES AN INDICATION OF PROCESS PERFORMANCE. PROCEDURE FOR MEASUREMENT AND TRACKING TO BE DEFINED IN LITTELFUSE INSPECTION INSTRUCTIONS.		
CP	DENOTES CP DIMENSIONS, -MINIMUM CP VALUE MUST BE WITHIN THE DIMENSIONAL LIMITATIONS SHOWN ON DRAWING AND INITIALLY LOCATED TO ALLOW FOR MAXIMUM TOOL LIFE.		
MATL SPEC		FINISH	
DRW M. York	DATE 2/9/2010	SCALE NTS	FINISH GOOD WT GRAMS/PIECE
UNLESS OTHERWISE SPECIFIED, DIMENSIONS ARE IN MILLIMETERS, DIMENSIONS IN BRACKETS [ ] ARE INCHES DIMENSIONING AND DO NOT INCLUDE PLATING. TOLERANCING TO BE INTERPRETED IN ACCORDANCE WITH ANSI Y14.5M-1994			
3RD ANGLE PROJECTION			
TITLE		LFH25060 OUTLINE	
		REVISION A	DRWG NO. OL-LFH25060 Series
		SHEET 1 OF 1	