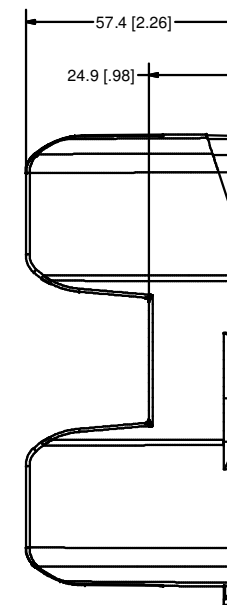
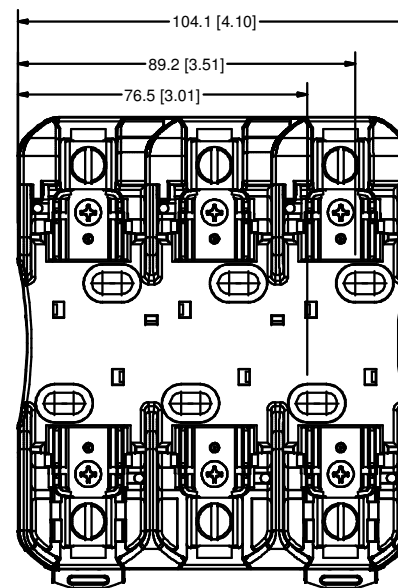
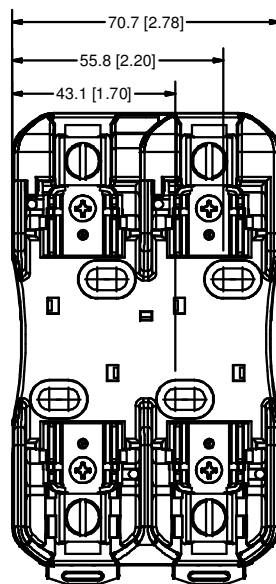
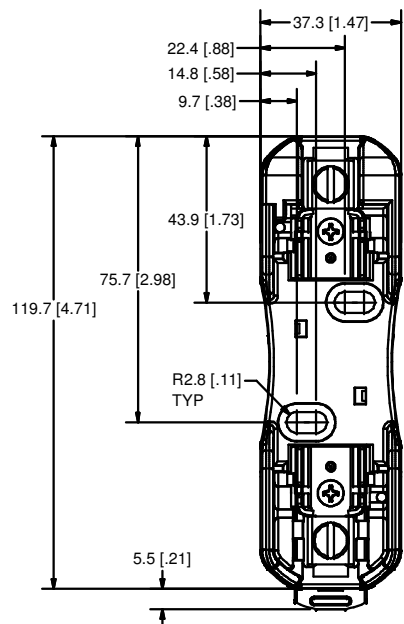


REVISION		DESCRIPTION
REV	DATE	Value
A	12/22/2006	



**SPECIFICATIONS:**

**VOLTAGE RATING:** 250V

**AMPERE RATING:** 60 AMPERES

**INTERRUPT RATING:** 10kA

**TERMINAL TYPE:** BOX LUG

**SUGGESTED TORQUE:** 5.6 N-m (50 IN-LBS) 2-4 AWG  
2.8 N-m (25 IN-LBS) 6-14 AWG

**WIRE RANGE:** 2-14 AWG Cu/Al  
SOLID/STRANDED

**APPROVALS:** UL LISTED (FILE NO. E14721)  
CSA CERTIFIED (FILE NO. LR73091)

●	DENOTES CRITICAL CHARACTERISTICS.
CPK	DENOTES CPK DIMENSIONS, -MINIMUM CPK VALUE
(ST)	DENOTES A CHARACTERISTIC THAT PROVIDES AN INDICATION OF PROCESS PERFORMANCE. PROCEDURE FOR MEASUREMENT AND TRACKING TO BE DEFINED IN LITTELFUSE INSPECTION INSTRUCTIONS.
CP	DENOTES CP DIMENSIONS, -MINIMUM CP VALUE MUST BE WITHIN THE DIMENSIONAL LIMITATIONS SHOWN ON DRAWING AND INITIALLY LOCATED TO ALLOW FOR MAXIMUM TOOL LIFE.

MATL SPEC	FINISH		
DRW M. York	DATE 2/9/2010	SCALE NTS	FINISH GOOD WT GRAMS/PIECE

UNLESS OTHERWISE SPECIFIED, DIMENSIONS ARE IN MILLIMETERS, DIMENSIONS IN BRACKETS [ ] ARE INCHES DIMENSIONING AND DO NOT INCLUDE PLATING. TOLERANCING TO BE INTERPRETED IN ACCORDANCE WITH ANSI Y14.5M-1994

3RD ANGLE PROJECTION	
----------------------	--

**TITLE** LFH25060 OUTLINE

<b>Littelfuse</b> DES PLAINES, ILLINOIS 60016	<b>REVISION</b> A	<b>DRWG NO.</b> OL-LFH25060 Series	<b>SHEET 1 OF 1</b>
--	----------------------	---------------------------------------	---------------------