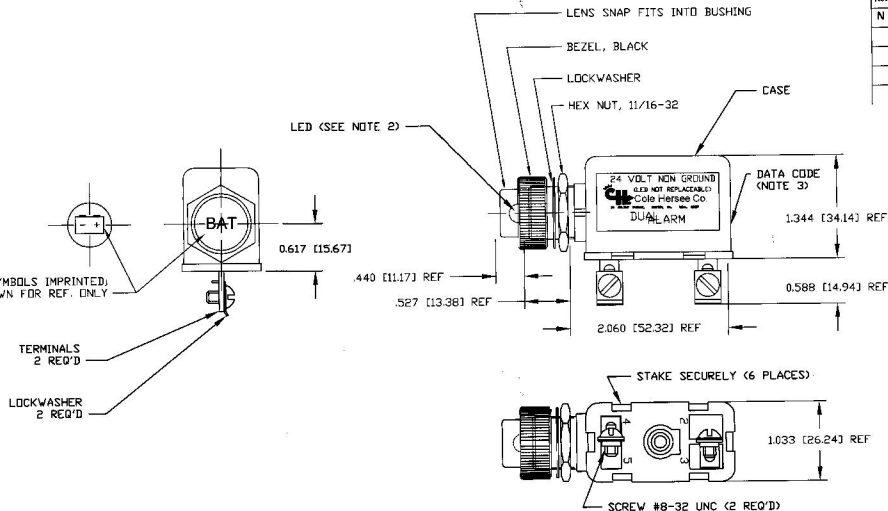


Revision Control Record

Rev.	Description of Change	ECN No.	Date
N	NOTE CHANGE	01826	1/24/01



24 VOLTS

- NOTES:
 1 ALL STEEL PARTS PLATED
 2 LED NOT REPLACEABLE
 3 MARK CASE AT RANDOM LOCATION AS TO WEEK & YEAR OF MANUFACTURE

PART NO	LENS COLOR	IMPRINT	IMPRINT COLOR
4124-RD002	RED	LOW AIR	BLACK
4124-RD001	RED	DIL WATER	WHITE
4124-RD000	RED	---	---

Tolerances: Unless otherwise specifically noted, the following are to be used:
 • 3/16" Decimals: Dimensions in .00"
 • 3/16" Decimals: Dimensions in .005"
 • Angles: Dimensions in 1/32"
 • Metric: Refer to equivalent English Dimension Tolerance
 • See NOTE 1. All tolerances are Minus-unless otherwise specified.

Dimensional Code: All dimensions are expressed in inches except those shown in brackets (M) are expressed in millimeters.

REF: See Reference to other dimensions.

Used On or Ref. Scale: **1:1**

PROPRIETARY INFORMATION: The Engineering Drawing, and the information contained herein, is proprietary to Cole Hersee Company and shall not be disclosed, retransmitted, or in any way copy, reproduced or incorporated by any party without the express written consent of an authorized representative of Cole Hersee Company.

DESIGN CODE: It is the responsibility of the individual using information from this drawing to ensure that the correct design features and sizes are used for the intended use of the Component (Product Drawing). This is a public-domain drawing and no liability shall be assumed by Cole Hersee Company.

Used On or Ref. Drawn: **RNT** Date Drawn: **3/22/89**

Key for Special Characteristics:

- ⊕ Critical Characteristic: Inhibits Safety and/or Regulatory Compliance
- ⊗ Significant Characteristics relating to Process Control (SPC)
- ⊠ Critical Characteristics relating to Form - Fit - Function as defined by Cole Hersee Company and/or the Customer.

(Note that the identification of any Characteristics as being "Special" does not alter the requirement that ALL specified dimensions & tolerances must be met.)

Responsible Engineer: **NA** Page: **1 of 1**

Cole Hersee Co.
 30 Old Colony Ave., South Boston, MA, 02127
 Phone: 617-266-2100 Web: www.colehersee.com

DUAL ALARM 24V

Quantity: **4124** Customer Ref: **N**