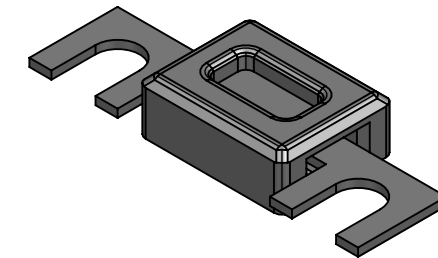
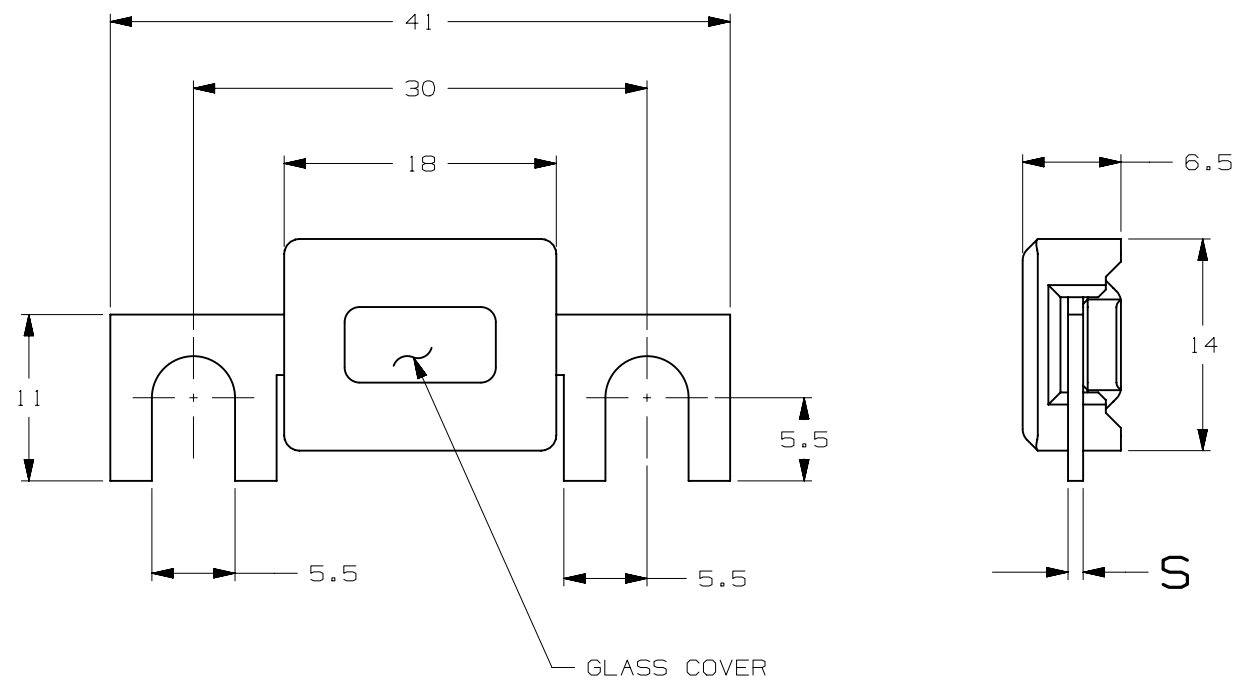


CURRENT RATE [ A ]	VERSIONS AND PART NUMBERS	THICKNESS "S" (mm)
30	156.5611.5301	0.25
40	156.5611.5401	0.20
50	156.5611.5501	0.25
60	156.5611.5601	0.40
70	156.5611.5701	0.45
80	156.5611.5801	0.50
100	156.5611.6101	0.70
120	156.5611.6111	0.70
125	156.5611.6121	0.70
150	156.5611.6151	1.0

LTR	DATE	REVISION	DRW
A	01/FEB/23	526176GCA - INITIAL RELEASE	OPL



ISOMETRIC VIEW



FUSE STRIPS WITH HOUSING 36V						
TERMINAL MATERIAL:	ZINC ALLOY					
TERMINAL PLATING:	NONE					
HOUSING MATERIAL:	CERAMIC					
LINEAR DIMENSIONS					ANGLES	RADII
DIM	.5 - 6	6 - 30	30 - 120	120 - 400	±0.5°	±0.2
TOL	±0.1	±0.2	±0.3	±0.5		
3RD ANGLE PROJECTION			Littelfuse®		REVISION	DRWG. NO.
			CHICAGO, USA 773-628-1000		A	WEB-156.0000.0000