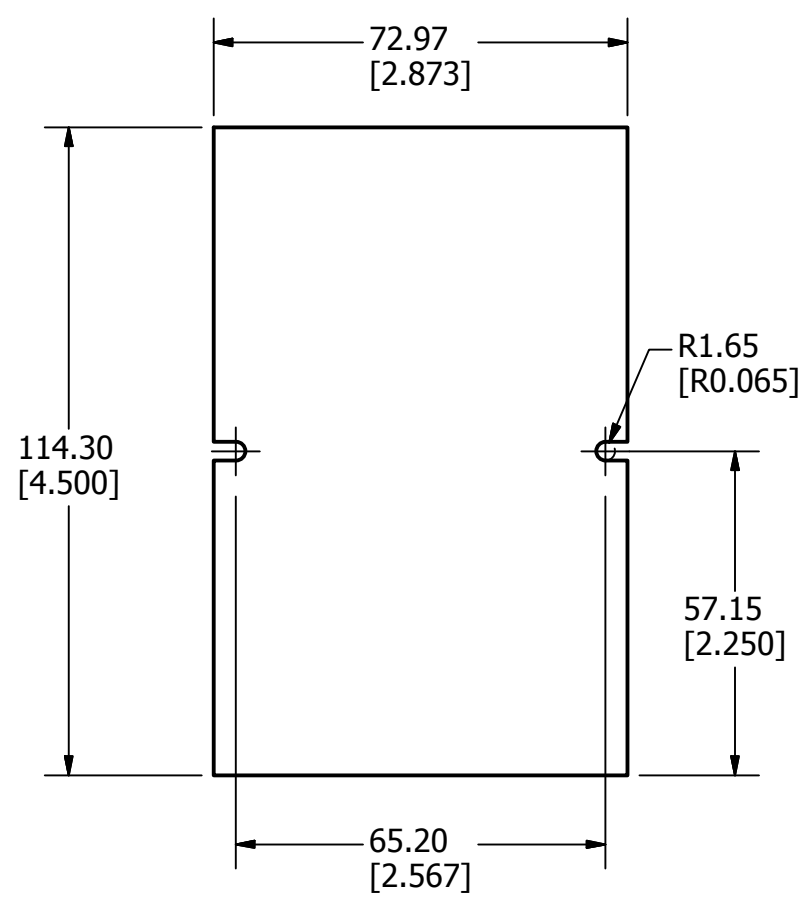
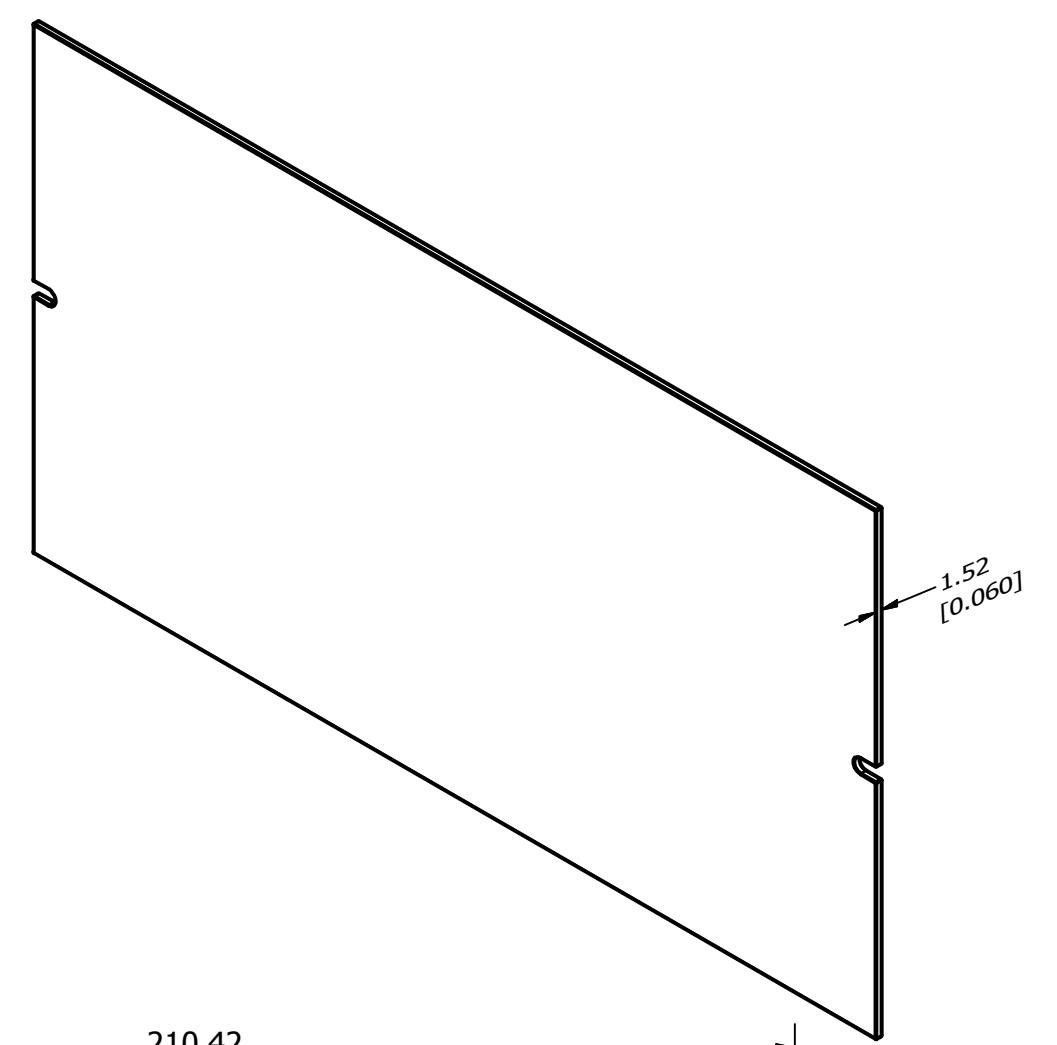
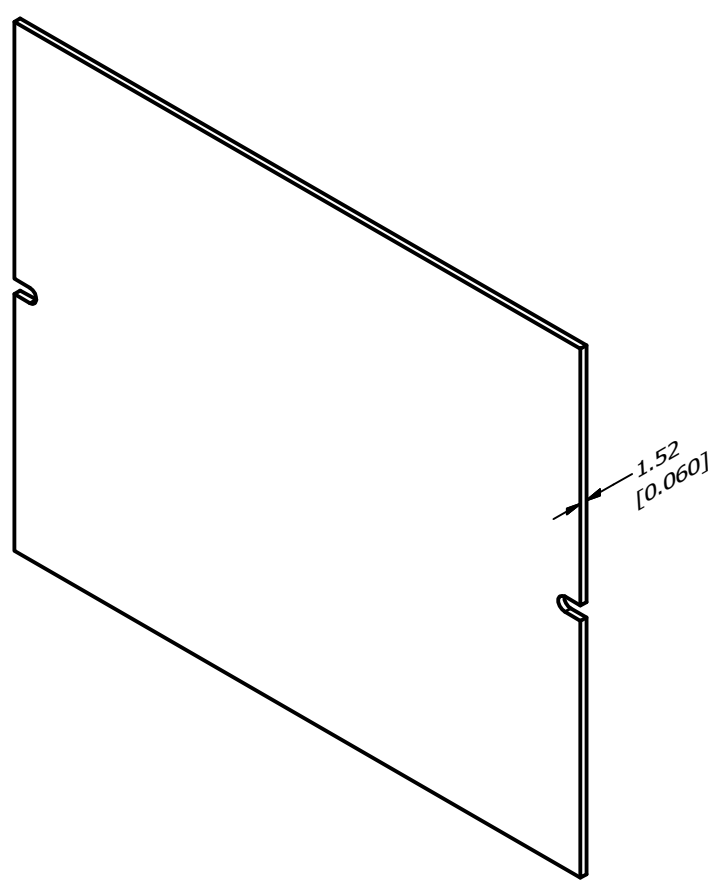
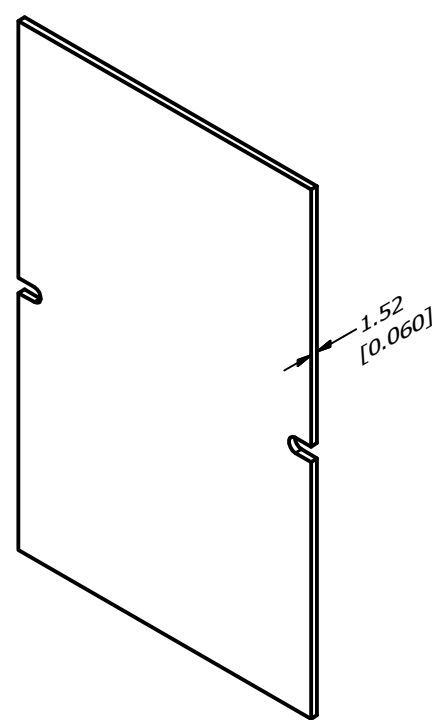
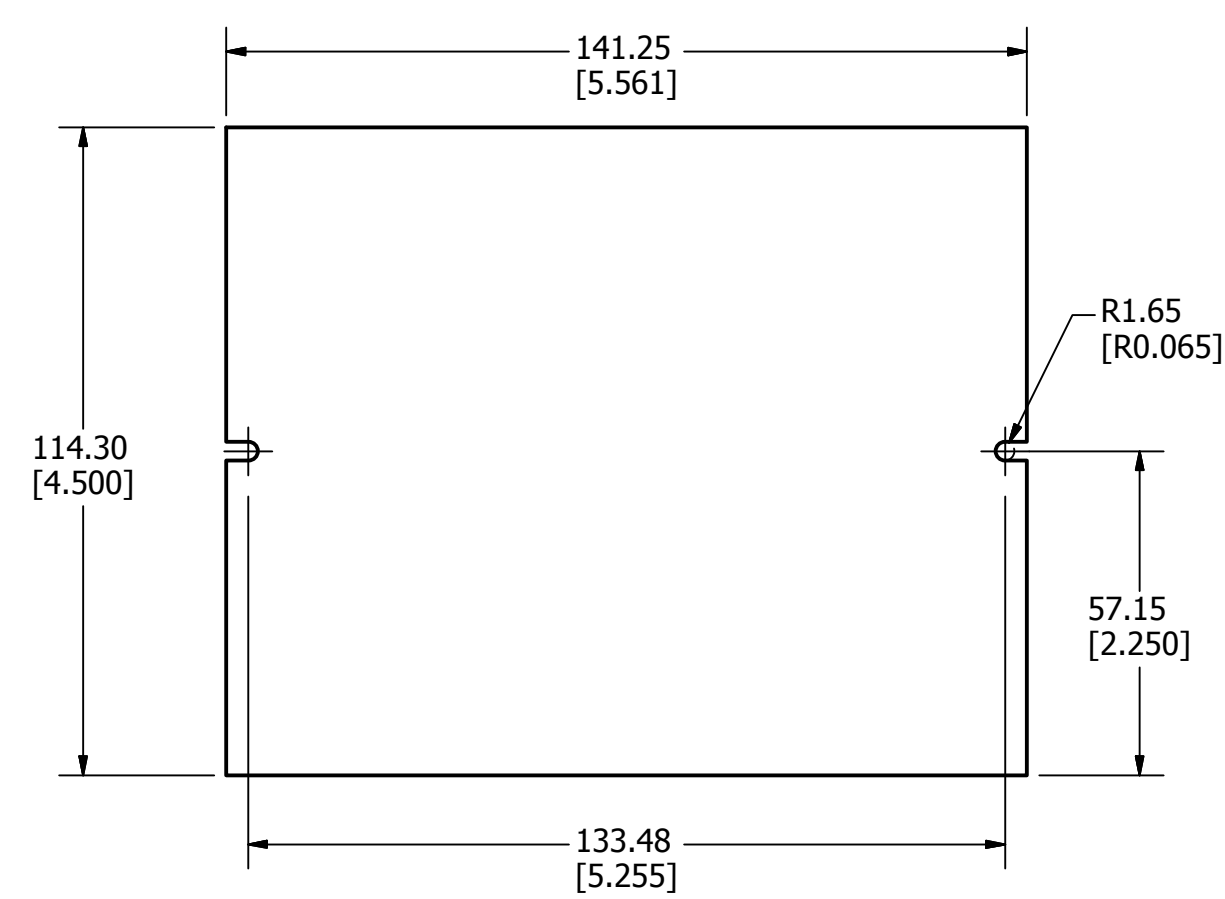


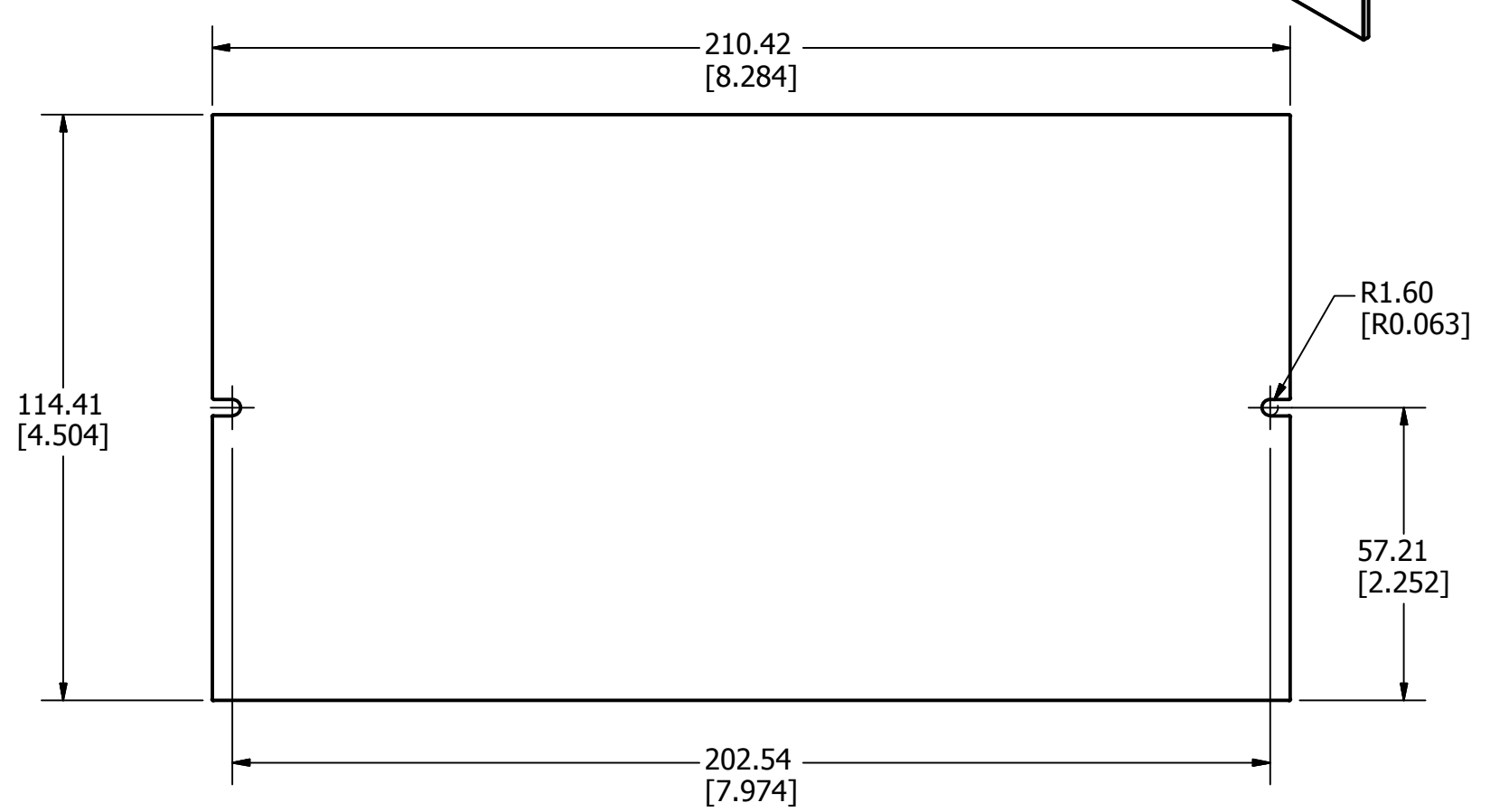
| REVISION |         | DESCRIPTION             |
|----------|---------|-------------------------|
| REV      | DATE    |                         |
| A        | 9/24/18 | 519882GCP - RELEASE MRY |



LPBC51



LPBC52



LPBC53

|   |  |                   |                            |
|---|--|-------------------|----------------------------|
| ●   | DENOTES CRITICAL CHARACTERISTICS.  |                   |                            |
| CPK   | DENOTES CPK DIMENSIONS, -MINIMUM CPK VALUE   |                   |                            |
| (ST)  | DENOTES A CHARACTERISTIC THAT PROVIDES AN INDICATION OF PROCESS PERFORMANCE. PROCEDURE FOR MEASUREMENT AND TRACKING TO BE DEFINED IN LITTELFUSE INSPECTION INSTRUCTIONS. |                   |                            |
| CP  | DENOTES CP DIMENSIONS, -MINIMUM CP VALUE MUST BE WITHIN THE DIMENSIONAL LIMITATIONS SHOWN ON DRAWING AND INITIALLY LOCATED TO ALLOW FOR MAXIMUM TOOL LIFE.               |                   |                            |
| MATL SPEC   | FINISH   |                   |                            |
| DRW myork   | DATE 9/14/2018   | SCALE NTS         | FINISH GOOD WT GRAMS/PIECE |
| UNLESS OTHERWISE SPECIFIED, DIMENSIONS ARE IN MILLIMETERS, DIMENSIONS IN BRACKETS [ ] ARE INCHES DIMENSIONING AND DO NOT INCLUDE PLATING. TOLERANCING TO BE INTERPRETED IN ACCORDANCE WITH ANSI Y14.5M-1994 |  |                   |                            |
| 3RD ANGLE PROJECTION  |  |                   |                            |
| TITLE   | LPBC5 SERIES OUTLINE   |                   |                            |
| CHICAGO, ILLINOIS 60631   | REVISION A   | DRWG NO. OL-LPBC5 | SHEET 1 OF 1               |