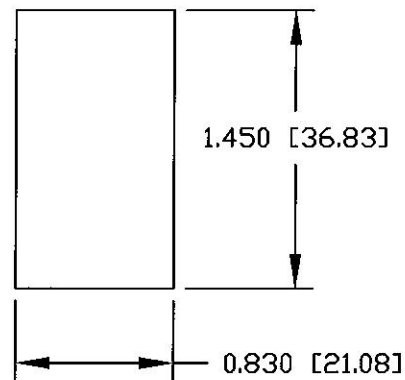
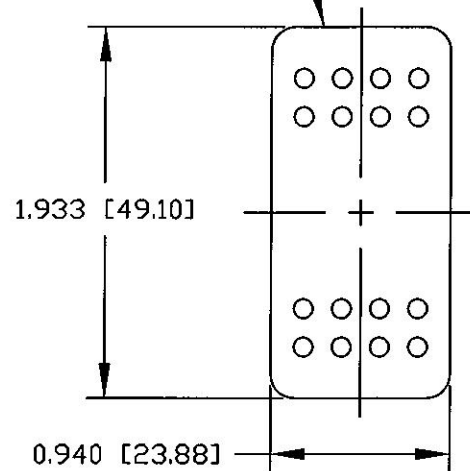


**MOUNTING HOLE DETAIL**

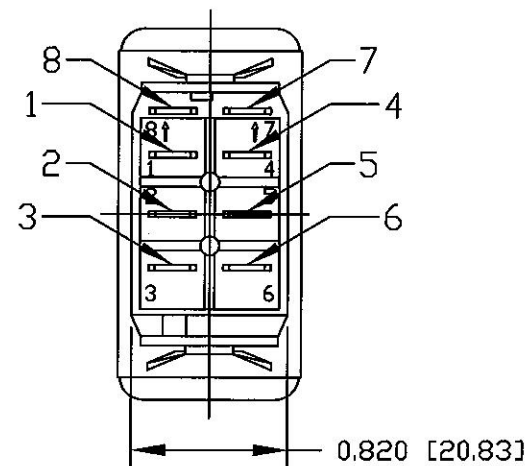
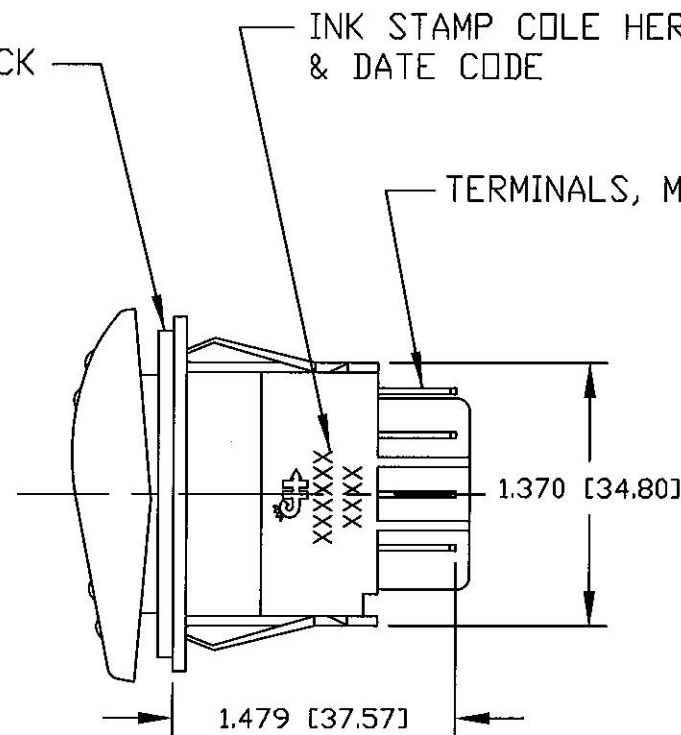


ROCKER COLORS	
BLACK	
GRAY	
RED	
WHITE	
IMPRINT COLORS	
BLACK	
WHITE	

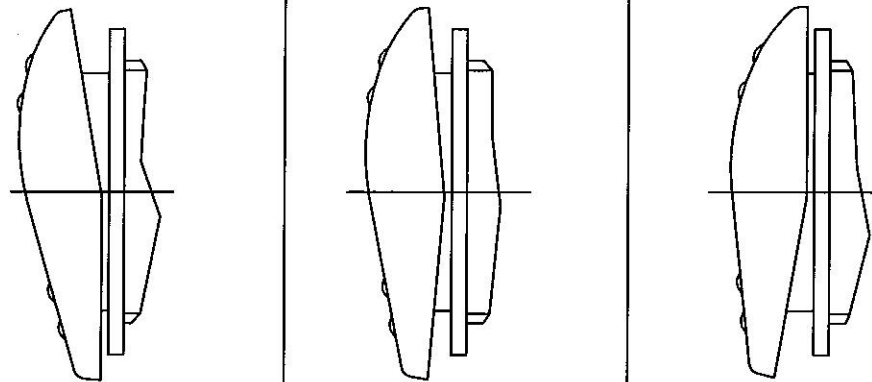
ROCKER, PLASTIC, COLOR CHARTED



BEZEL, PLASTIC, BLACK

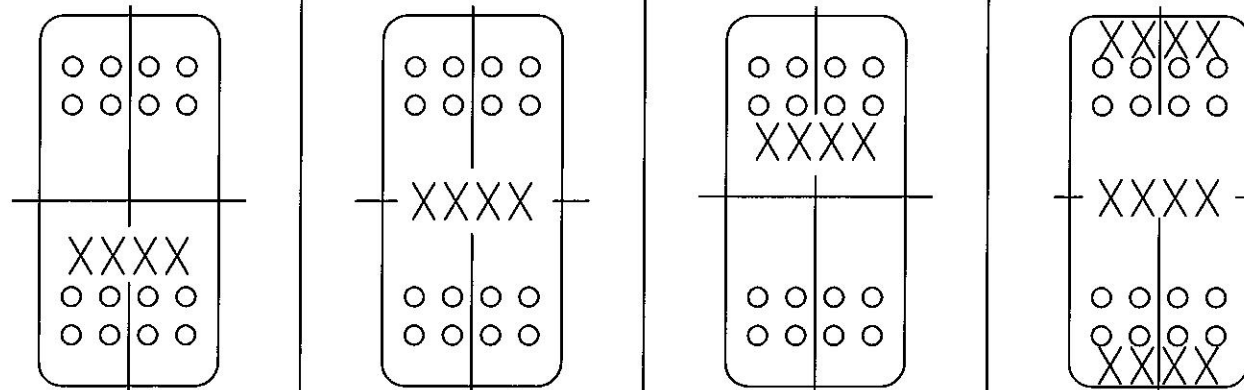


**ROCKER POSITIONS**



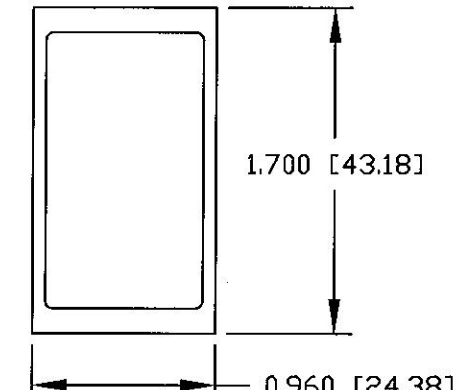
POSITION A    POSITION B    POSITION C

**IMPRINTING LOCATION**



LOCATION D    LOCATION E    LOCATION F    LOCATION G

**PANEL SEAL**



P/N 98567

**Revision Control Record**

Rev.	Description of Change	ECN No.	Date	Rev.	Description of Change	ECN No.	Date
B	ADD -12	08775	12/17/08				

Tolerances Unless otherwise specifically noted, the following are default tolerances:  
**2-places +/- 0.02"**    **3-places +/- 0.005"**    **Angular +/- 1'**  
 Metric: Shown in [ ] refers to equivalent English Dim Tol  
 "REF." or an Asterisk (\*) = Non-Toleranced Reference Dimension, shown for clarification purposes only.  
 NOTE: All tolerances are Non-Cumulative.

**PROPRIETARY INFORMATION**  
 This Engineering Drawing, and the information contained herein, is proprietary to Cole Hersee Company and may not be disclosed, re-produced, or in any other way transferred or communicated to any other party without the express written consent of an authorized representative of Cole Hersee Company.

**Special Characteristics:**  
 Critical Characteristic, relating to Safety and/or Regulatory Compliance  
 Significant Characteristic relating to Process Control  
 Control Dimension relating to Form-Fit - Function as defined by Cole Hersee Company and/or the Customer

**Cole Hersee Co.**  
 20 Old Colony Ave., South Boston, MA, 02127  
 Phn: 617-268-2100 Web: www.colehersee.com

**Description:**  
**ROCKER SWITCH**

Drawing / Part No.: **M-58031, CHART**    Current Rev. **B**