

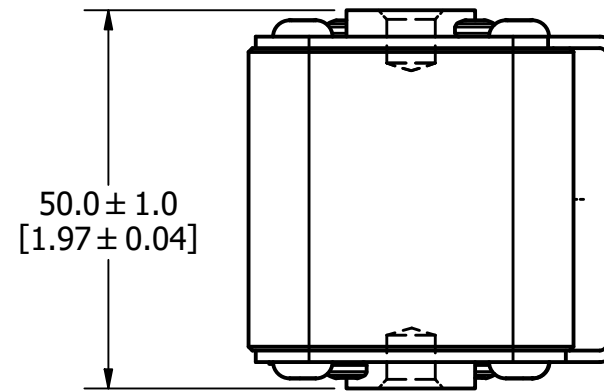
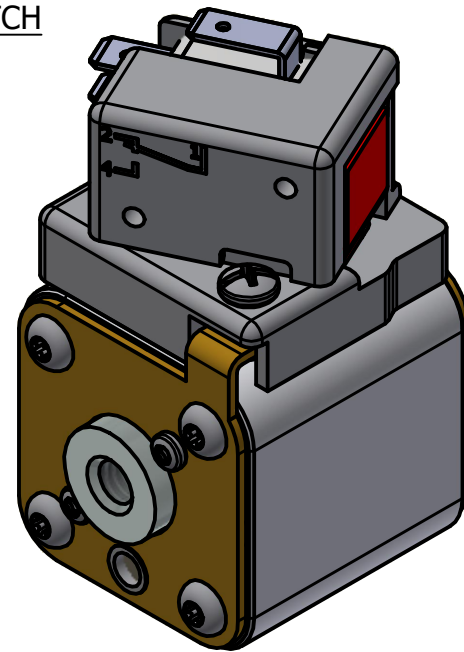
MOUNTING SPECS:

STUD SIZE: 5/16-18 UNC-2B ∇ 6.0[0.24]

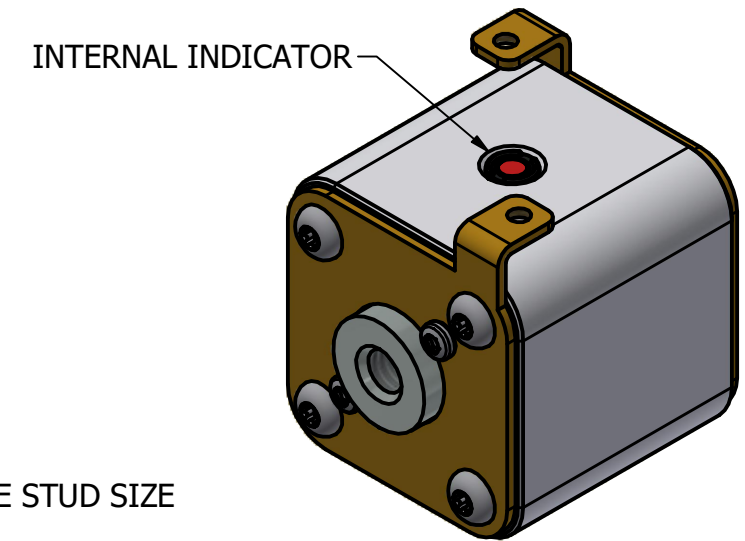
STUD TORQUE: 13-20Nm

REVISION		
REV	DATE	DESCRIPTION
A	03/16/2017	517373GCP - RELEASED -TV
B	10/19/2017	518344ECP - REVISE MOUNTING SPEC NOTES -TV
C	8/30/18	519782ECP/D - CHG STUD TORQUE MRY
D	5/5/22	525159ECP/D - CHANGE HEIGHT, ADD TOLERANCES MRY
E	5/19/22	525232ECP/D - UPDATE LENGTH DIMENSION MRY
F	7/14/22	525433ECP/D - CHANGE HEIGHT DIMENSION FORMAT MRY
G	1/22/24	526835ECP/D - ADDED VIEW WITHOUT MICRO-SWITCH JTM

FUSE WITH MICRO-SWITCH

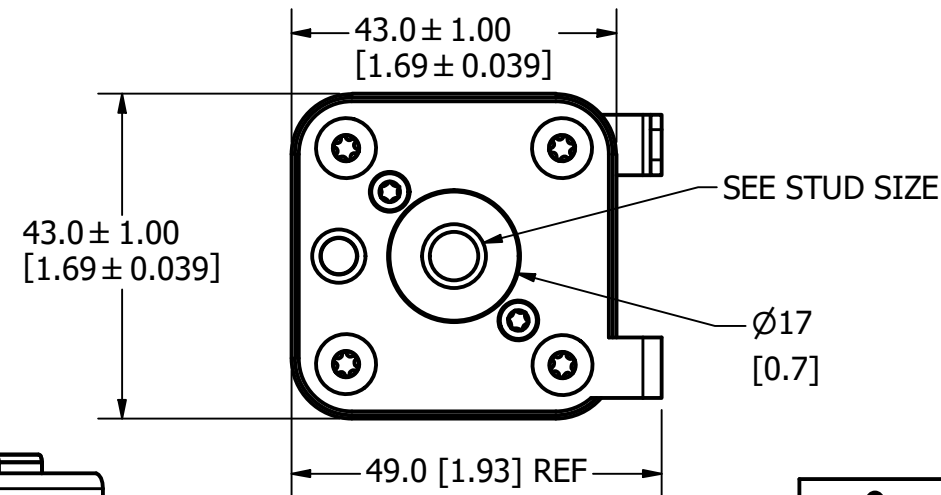
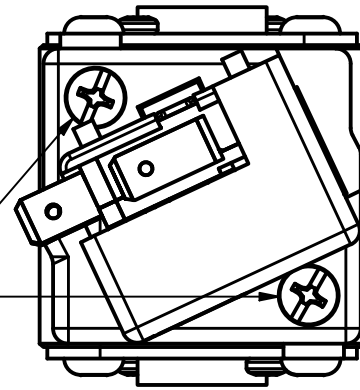


FUSE



INTERNAL INDICATOR

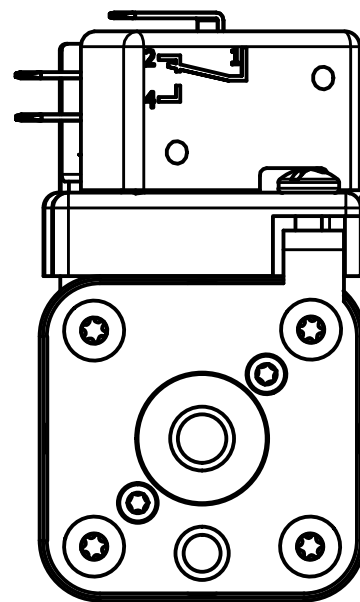
M4x0.7 THREAD
10.00[.394]
STUD LENGTH



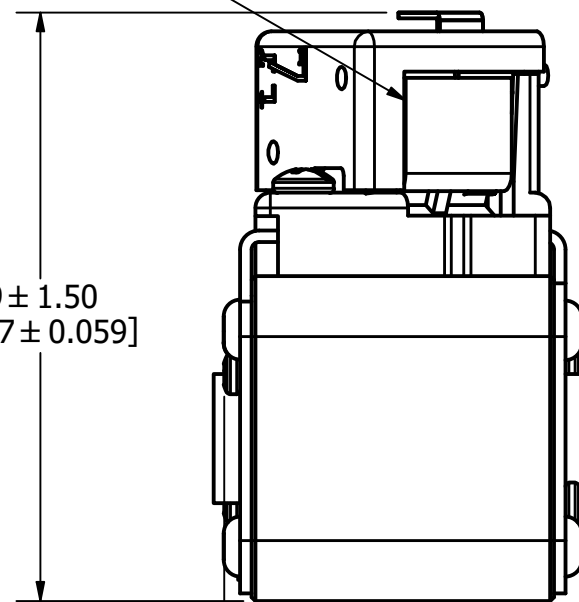
SEE STUD SIZE

Ø17
[0.7]

VISUAL INDICATOR



77.9 ± 1.50
[3.07 ± 0.059]



FUSE WITH MICRO-SWITCH

●	DENOTES CRITICAL CHARACTERISTICS.
CPK	DENOTES CPK DIMENSIONS, -MINIMUM CPK VALUE
⬡	DENOTES A CHARACTERISTIC THAT PROVIDES AN INDICATION OF PROCESS PERFORMANCE. PROCEDURE FOR MEASUREMENT AND TRACKING TO BE DEFINED IN LITTELFUSE INSPECTION INSTRUCTIONS.
CP	DENOTES CP DIMENSIONS, -MINIMUM CP VALUE MUST BE WITHIN THE DIMENSIONAL LIMITATIONS SHOWN ON DRAWING AND INITIALLY LOCATED TO ALLOW FOR MAXIMUM TOOL LIFE.

B

MATL SPEC		FINISH	
DRW TVESELSK	DATE 12/31/1969	SCALE NTS	FINISH GOOD WT GRAMS/PIECE

UNLESS OTHERWISE SPECIFIED, DIMENSIONS ARE IN MILLIMETERS, DIMENSIONS IN BRACKETS [] ARE INCHES DIMENSIONING AND DO NOT INCLUDE PLATING. TOLERANCING TO BE INTERPRETED IN ACCORDANCE WITH ANSI Y14.5M-1994

3RD ANGLE PROJECTION	
----------------------	--

TITLE SQUARE BODY 30 CASE SIZE - ENGLISH THREAD OUTLINE

Littelfuse CHICAGO, ILLINOIS 60631	REVISION G	DRWG NO. OL-PSR030FS0000	SHEET 1 OF 1
--	----------------------	------------------------------------	--------------

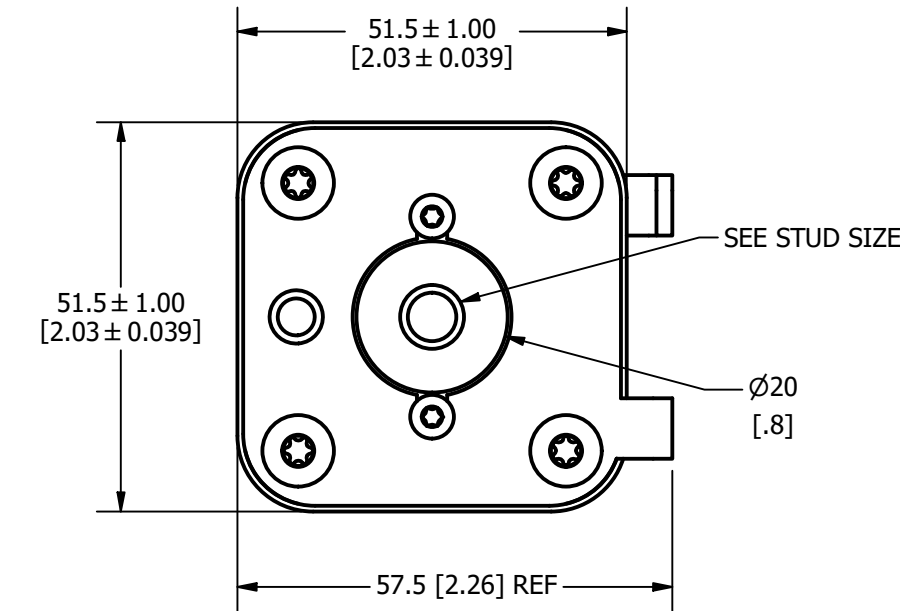
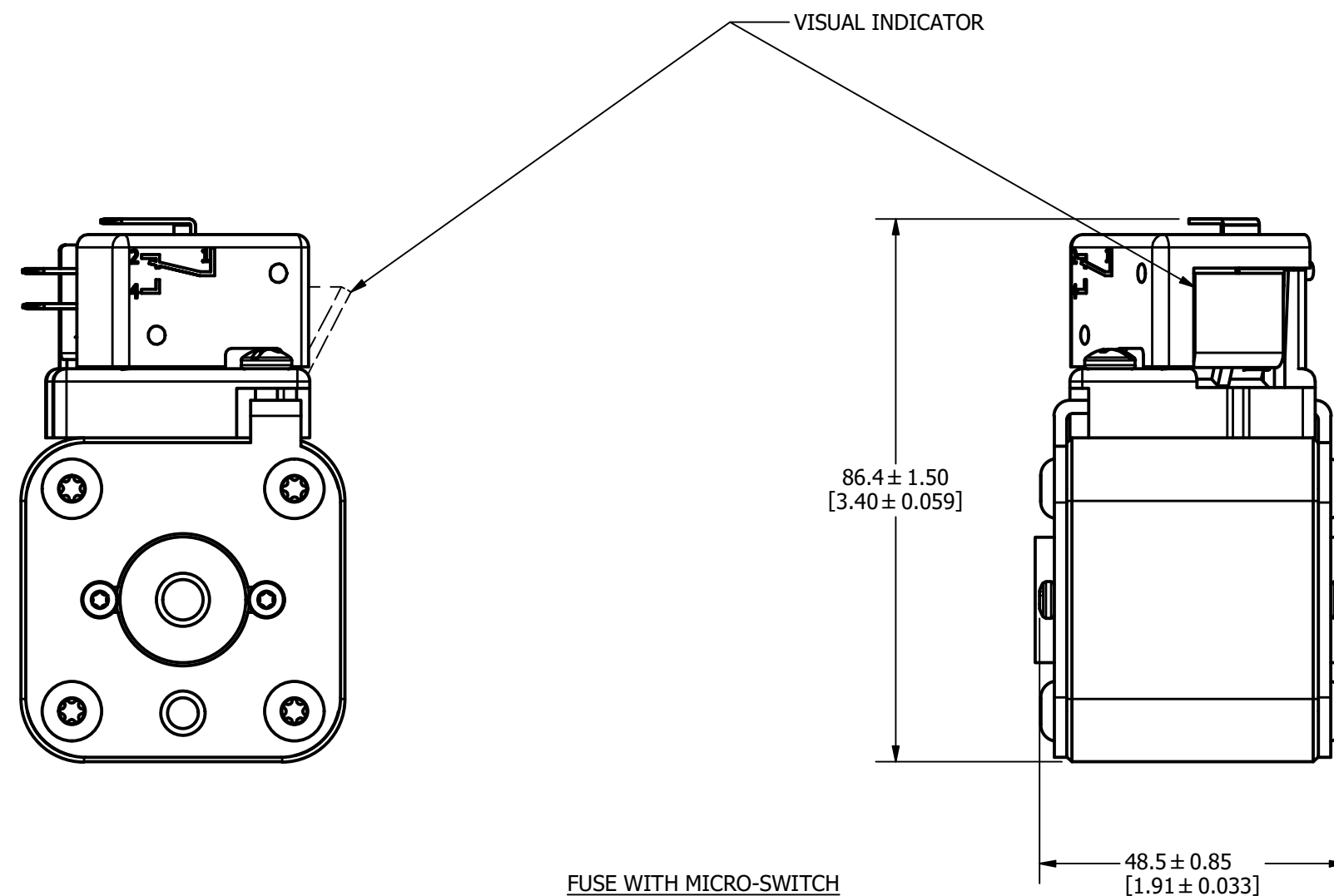
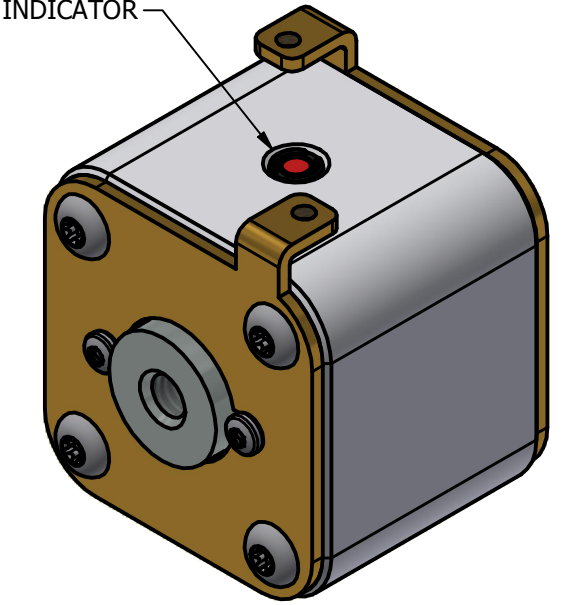
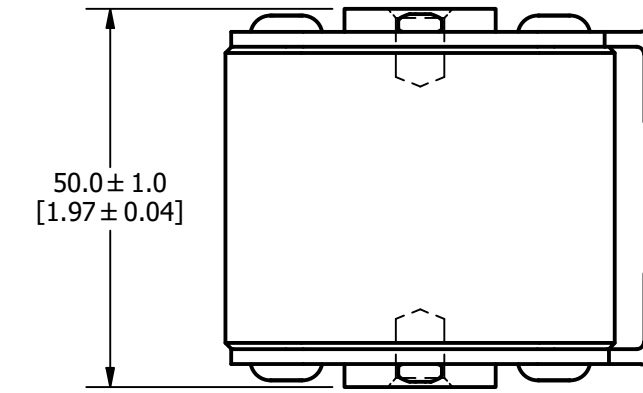
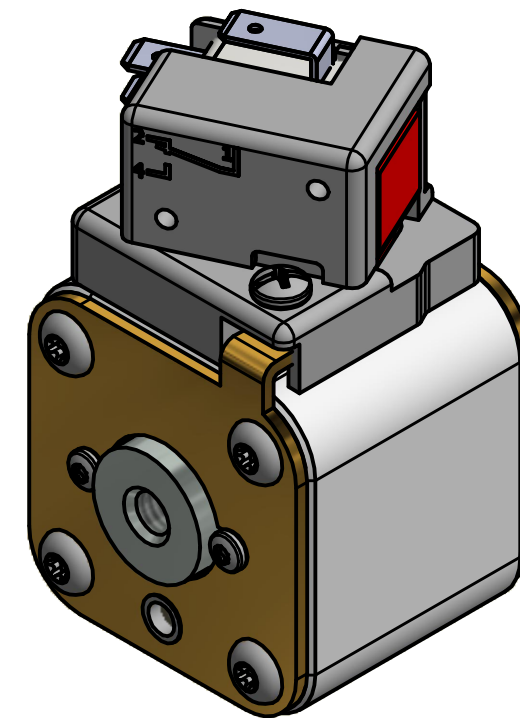
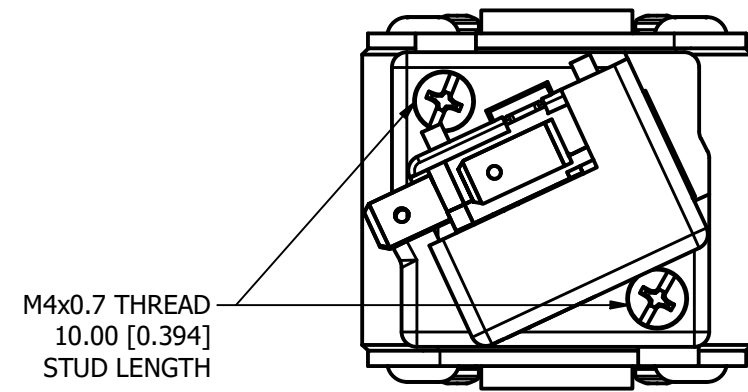
MOUNTING SPECS:
 STUD SIZE: 5/16-18 UNC-2B ∇ 8.0[0.31]
 STUD TORQUE: 13-20Nm

REVISION		
REV	DATE	DESCRIPTION
A	08/11/2017	518016GCP - RELEASED -TV
B	10/19/2017	518344ECP - REVISE MOUNTING SPEC NOTES -TV
C	8/30/18	519782ECP/D - CHG STUD TORQUE MRY
D	5/5/22	525159ECP/D - CHANGE HEIGHT, ADD TOLERANCES MRY
E	5/19/22	525232ECP/D - UPDATE LENGTH DIMENSION MRY
F	7/14/22	525433ECP/D - CHANGE HEIGHT DIMENSION FORMAT MRY
G	1/12/24	526835ECP/D - ADDED VIEW WITHOUT MICRO-SWITCH JTM

FUSE

FUSE WITH MICRO-SWITCH

INTERNAL INDICATOR

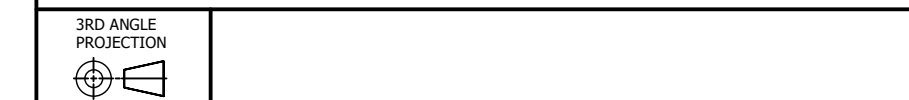


FUSE WITH MICRO-SWITCH

●	DENOTES CRITICAL CHARACTERISTICS.
CPK	DENOTES CPK DIMENSIONS, -MINIMUM CPK VALUE
(ST)	DENOTES A CHARACTERISTIC THAT PROVIDES AN INDICATION OF PROCESS PERFORMANCE. PROCEDURE FOR MEASUREMENT AND TRACKING TO BE DEFINED IN LITTELFUSE INSPECTION INSTRUCTIONS.
CP	DENOTES CP DIMENSIONS, -MINIMUM CP VALUE MUST BE WITHIN THE DIMENSIONAL LIMITATIONS SHOWN ON DRAWING AND INITIALLY LOCATED TO ALLOW FOR MAXIMUM TOOL LIFE.

MATL SPEC	FINISH
DRW TVESELSK	SCALE NTS
DATE 1/12/2024	FINISH GOOD WT GRAMS/PIECE

UNLESS OTHERWISE SPECIFIED, DIMENSIONS ARE IN MILLIMETERS, DIMENSIONS IN BRACKETS [] ARE INCHES DIMENSIONING AND DO NOT INCLUDE PLATING. TOLERANCING TO BE INTERPRETED IN ACCORDANCE WITH ANSI Y14.5M-1994



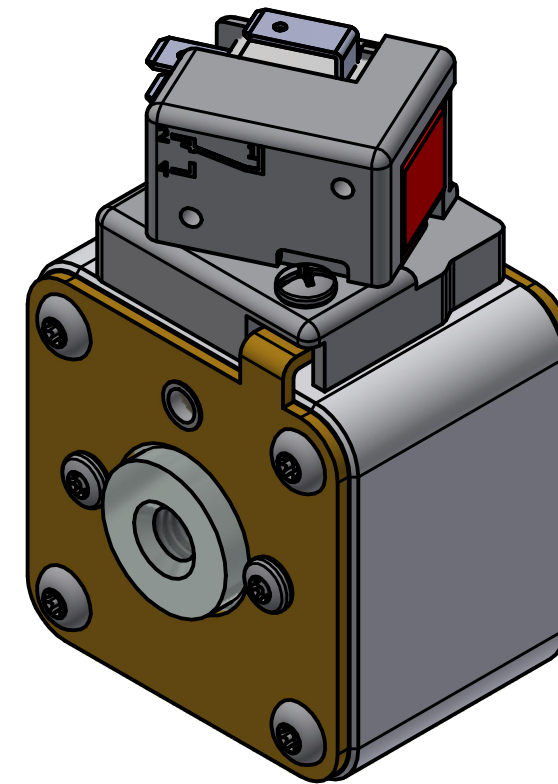
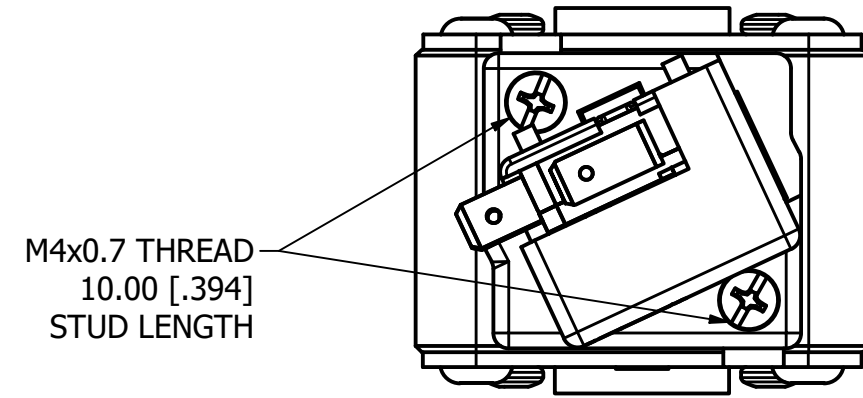
TITLE SQUARE BODY 31 CASE SIZE - ENGLISH THREAD OUTLINE

Littelfuse CHICAGO, ILLINOIS 60631	REVISION G	DRWG NO. OL-PSR031FS0000	SHEET 1 OF 1
--	---------------	-----------------------------	--------------

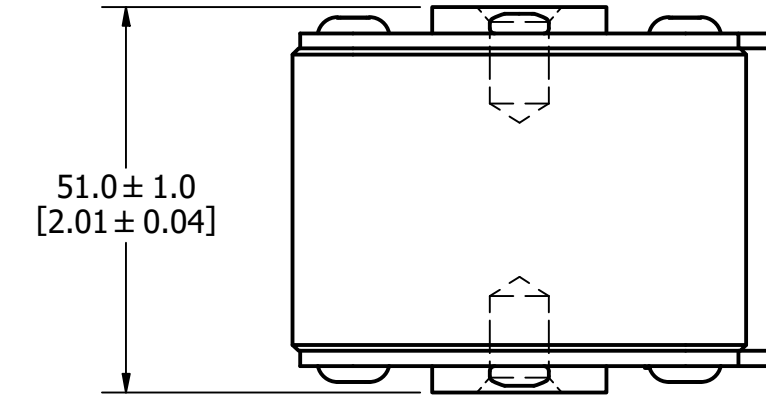
REVISION		
REV	DATE	DESCRIPTION
A	03/16/2016	518344GCP - RELEASED -TV
B	10/19/2017	518344ECP - REVISE MOUNTING SPEC NOTES -TV
C	8/30/18	519782ECP/D - CHG STUD TORQUE MRY
D	5/5/22	525159ECP/D - CHANGE HEIGHT, ADD TOLERANCES MRY
E	5/19/22	525232ECP/D - UPDATE LENGTH DIMENSION MRY
F	7/14/22	525433ECP/D - CHANGE HEIGHT DIMENSION FORMAT MRY
G	1-12-24	526835ECP/D - ADDED VIEW WITHOUT MICRO-SWITCH JTM

MOUNTING SPECS:
 STUD SIZE: 3/8-16 UNC-2B ∇ 11.5 [0.45]
 STUD TORQUE: 26-35Nm

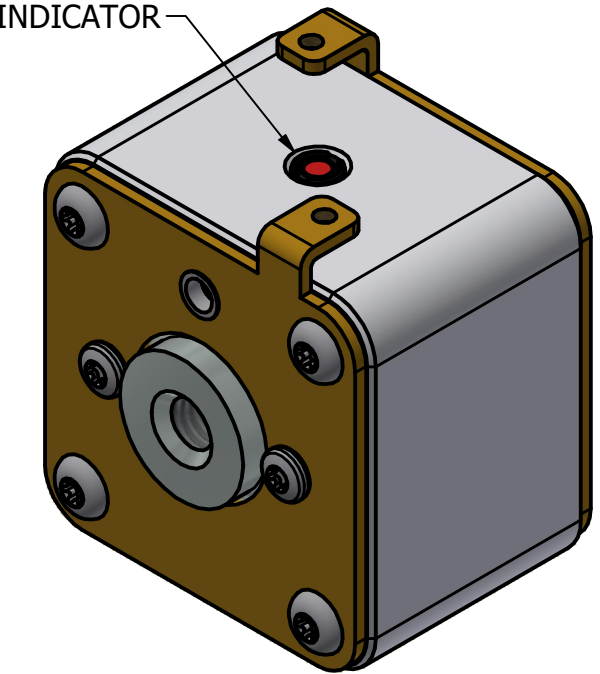
FUSE WITH MICRO-SWITCH



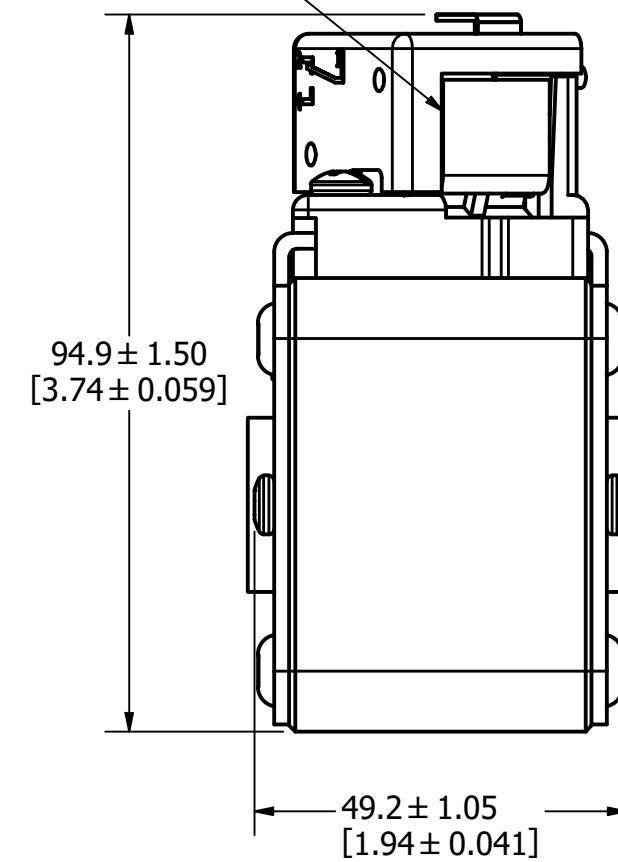
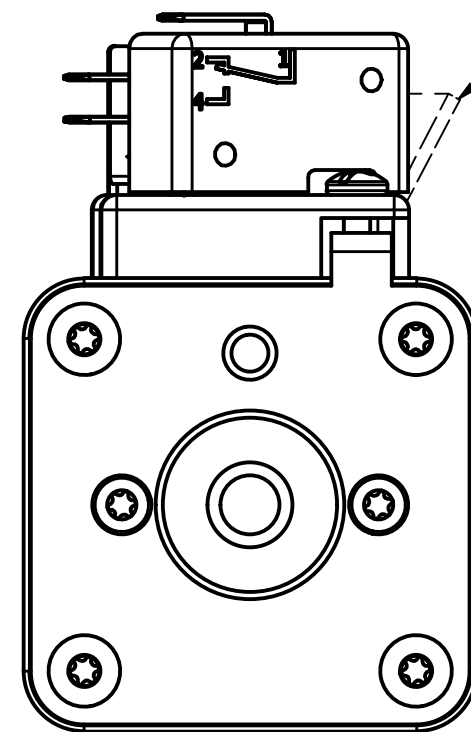
FUSE



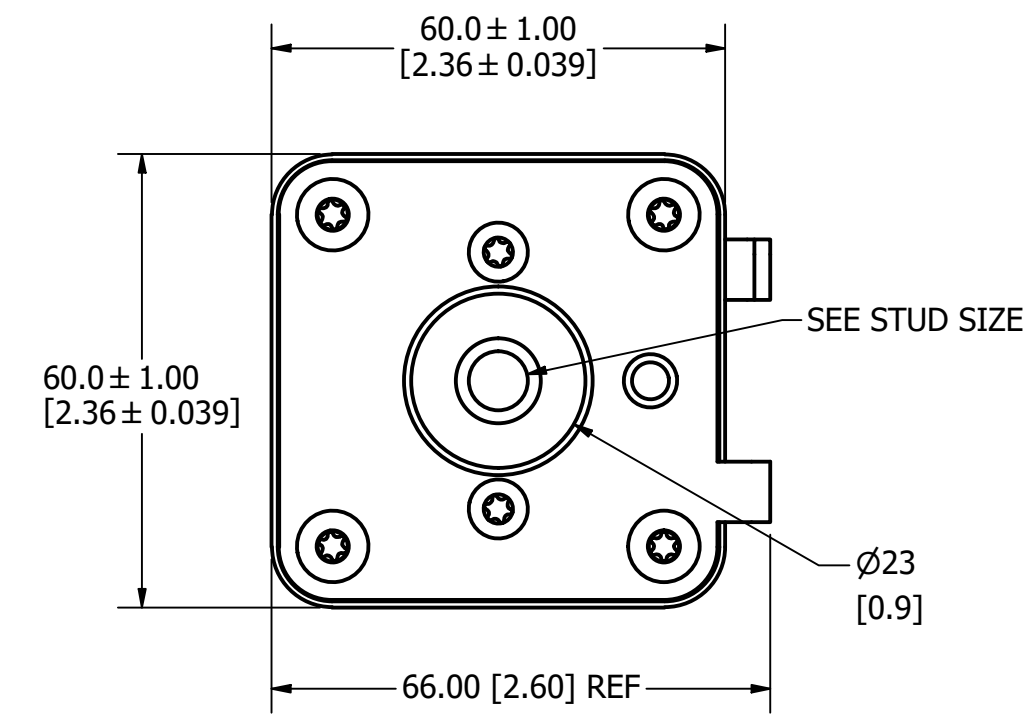
INTERNAL INDICATOR



VISUAL INDICATOR



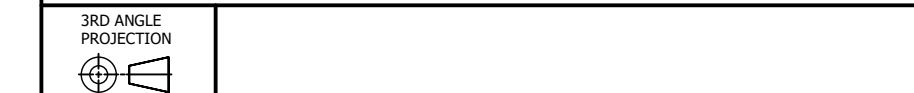
FUSE WITH MICRO-SWITCH



●	DENOTES CRITICAL CHARACTERISTICS.
CPK	DENOTES CPK DIMENSIONS, -MINIMUM CPK VALUE
(ST)	DENOTES A CHARACTERISTIC THAT PROVIDES AN INDICATION OF PROCESS PERFORMANCE. PROCEDURE FOR MEASUREMENT AND TRACKING TO BE DEFINED IN LITTELFUSE INSPECTION INSTRUCTIONS.
CP	DENOTES CP DIMENSIONS, -MINIMUM CP VALUE MUST BE WITHIN THE DIMENSIONAL LIMITATIONS SHOWN ON DRAWING AND INITIALLY LOCATED TO ALLOW FOR MAXIMUM TOOL LIFE.

MATL SPEC	FINISH		
DRW TVESELSK	DATE 1/12/2024	SCALE NTS	FINISH GOOD WT GRAMS/PIECE

UNLESS OTHERWISE SPECIFIED, DIMENSIONS ARE IN MILLIMETERS, DIMENSIONS IN BRACKETS [] ARE INCHES DIMENSIONING AND DO NOT INCLUDE PLATING. TOLERANCING TO BE INTERPRETED IN ACCORDANCE WITH ANSI Y14.5M-1994



TITLE SQUARE BODY 32 CASE SIZE - ENGLISH THREAD OUTLINE

MOUNTING SPECS:

STUD SIZE: 1/2-13 UNC - 2B ∇ 13.0[0.51]

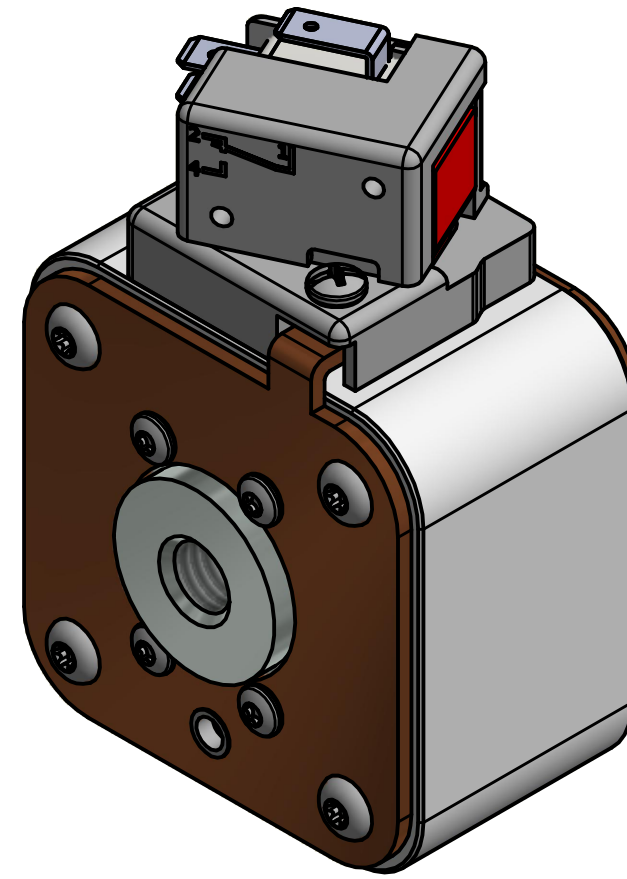
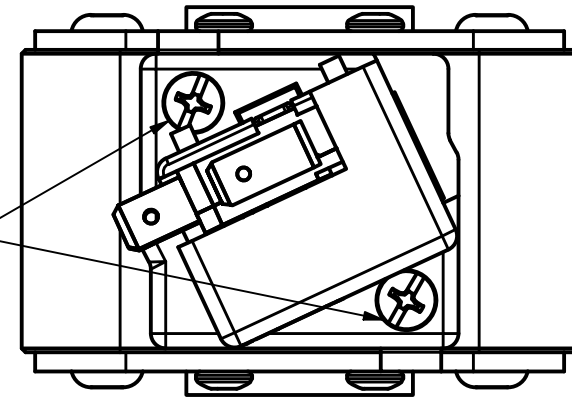
STUD TORQUE: 45-55Nm

REVISION		
REV	DATE	DESCRIPTION
A	03/16/2016	517373GCP - RELEASED -TV
B	10/19/2017	518344ECP - REVISE STUD SIZE NOTES -TV
C	8/30/18	519782ECP/D - CHG STUD TORQUE MRY
D	5/5/22	525159ECP/D - CHANGE HEIGHT, ADD TOLERANCES MRY
E	5/19/22	525232ECP/D - UPDATE LENGTH DIMENSION MRY
F	7/14/22	525433ECP/D - CHANGE HEIGHT DIMENSION FORMAT MRY
G	1/17/24	536835ECP/D - ADDED VIEW WITHOUT MICRO-SWITCH JTM

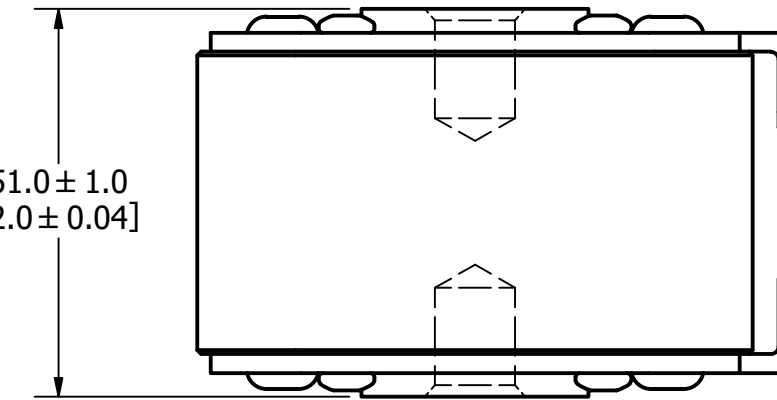
FUSE WITH MICRO-SWITCH

FUSE

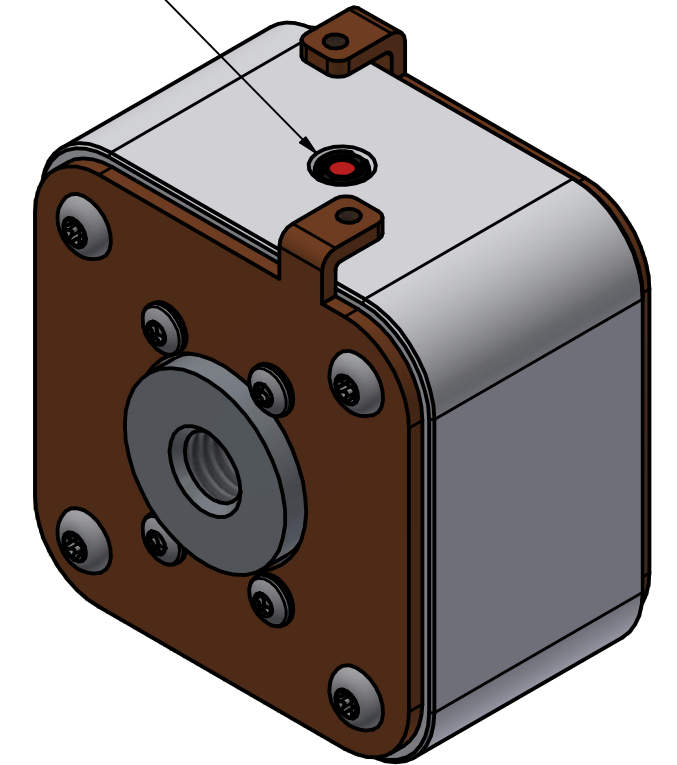
M4x0.7 THREAD
10.00 [.394]
STUD LENGTH



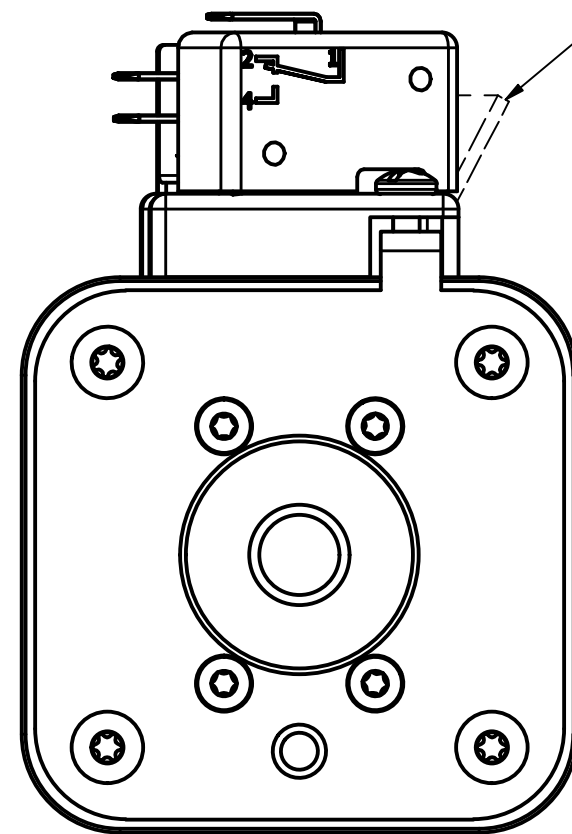
51.0 ± 1.0
[2.0 ± 0.04]



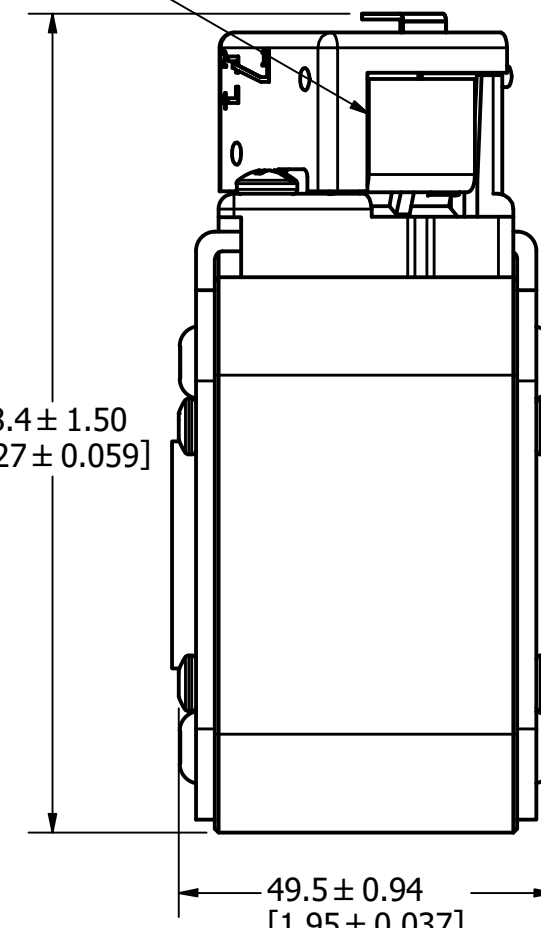
INTERNAL INDICATOR



VISUAL INDICATOR



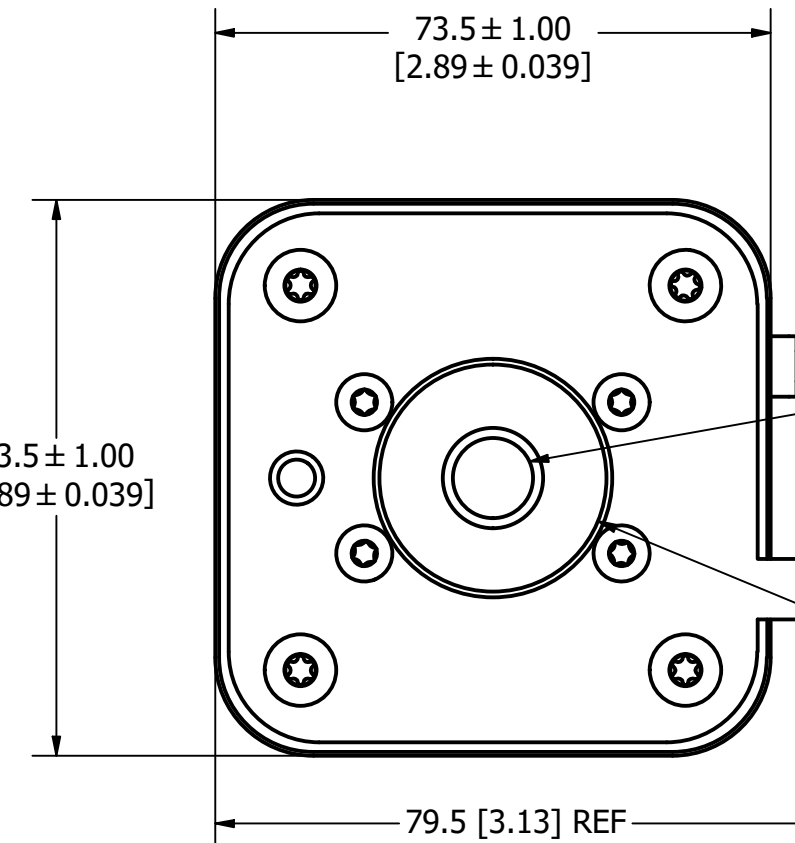
108.4 ± 1.50
[4.27 ± 0.059]



49.5 ± 0.94
[1.95 ± 0.037]

FUSE WITH MICRO-SWITCH

73.5 ± 1.00
[2.89 ± 0.039]



73.5 ± 1.00
[2.89 ± 0.039]

SEE STUD SIZE

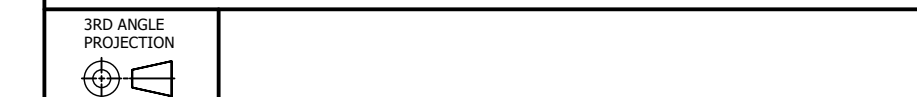
Ø30
[1.2]

79.5 [3.13] REF

●	DENOTES CRITICAL CHARACTERISTICS.
CPK	DENOTES CPK DIMENSIONS, -MINIMUM CPK VALUE
(ST)	DENOTES A CHARACTERISTIC THAT PROVIDES AN INDICATION OF PROCESS PERFORMANCE. PROCEDURE FOR MEASUREMENT AND TRACKING TO BE DEFINED IN LITTELFUSE INSPECTION INSTRUCTIONS.
CP	DENOTES CP DIMENSIONS, -MINIMUM CP VALUE MUST BE WITHIN THE DIMENSIONAL LIMITATIONS SHOWN ON DRAWING AND INITIALLY LOCATED TO ALLOW FOR MAXIMUM TOOL LIFE.

MATL SPEC	FINISH		
DRW TVESELSK	DATE 12/31/1969	SCALE NTS	FINISH GOOD WT GRAMS/PIECE

UNLESS OTHERWISE SPECIFIED, DIMENSIONS ARE IN MILLIMETERS, DIMENSIONS IN BRACKETS [] ARE INCHES DIMENSIONING AND DO NOT INCLUDE PLATING. TOLERANCING TO BE INTERPRETED IN ACCORDANCE WITH ANSI Y14.5M-1994



TITLE SQUARE BODY 33 CASE SIZE - ENGLISH THREAD OUTLINE

Littelfuse CHICAGO, ILLINOIS 60631	REVISION G	DRWG NO. OL-PSR033FS0000	SHEET 1 OF 1
--	---------------	-----------------------------	--------------

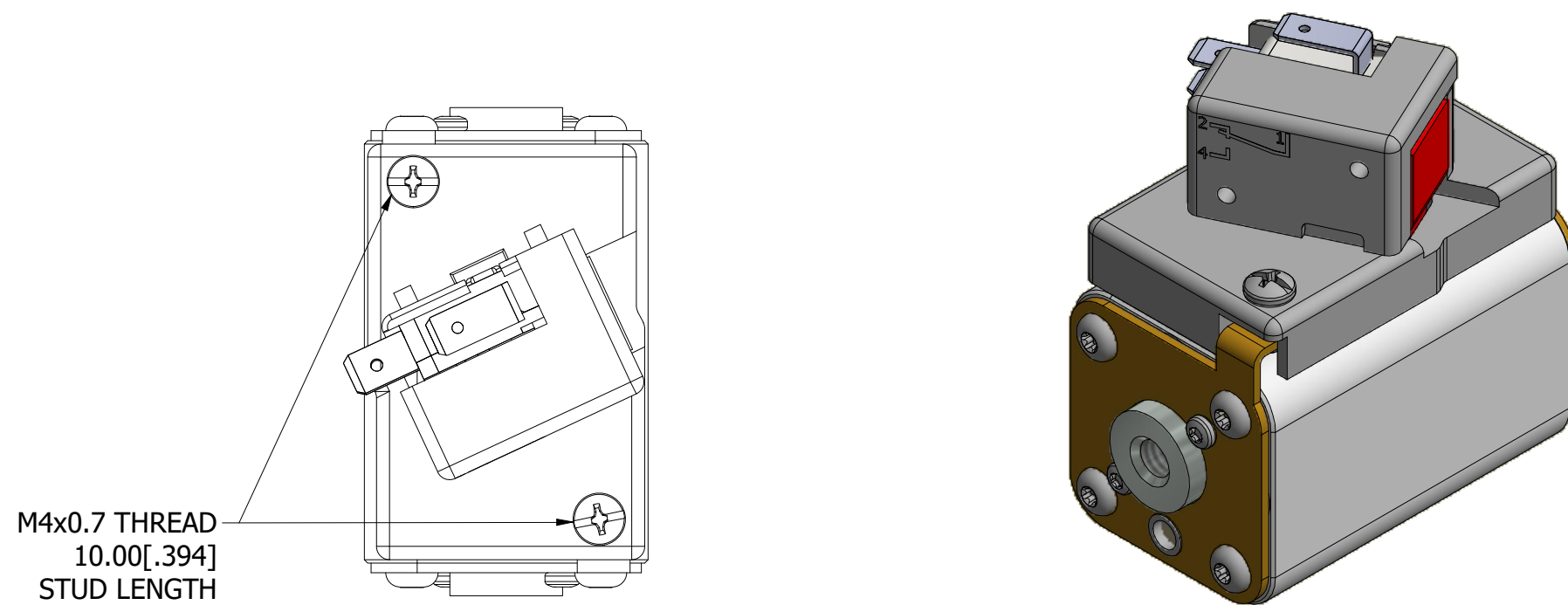
REVISION		
REV	DATE	DESCRIPTION
A	01/10/2018	518685GCP - RELEASED -TV
B	8/30/18	519782ECP/D - CHG STUD TORQUE MRY
C	5/5/22	525161ECP/D - CHANGE HEIGHT, ADD TOLERANCES MRY
D	5/19/22	525232ECP/D - UPDATE LENGTH DIMENSION MRY
E	7/14/22	525433ECP/D - CHANGE HEIGHT DIMENSION FORMAT MRY
F	10/24/23	526836ECP/D - ADD VIEW W/O MICROSWITCH MRY

MOUNTING SPECS

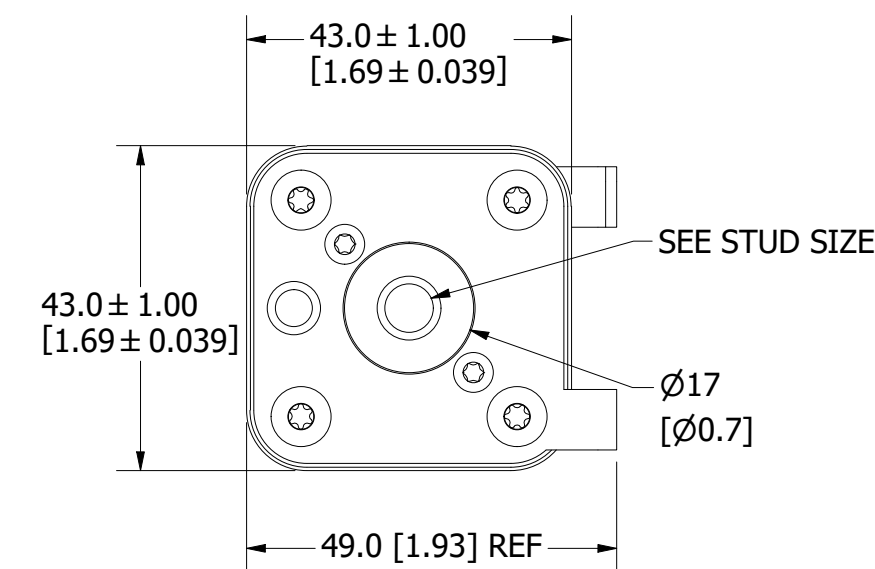
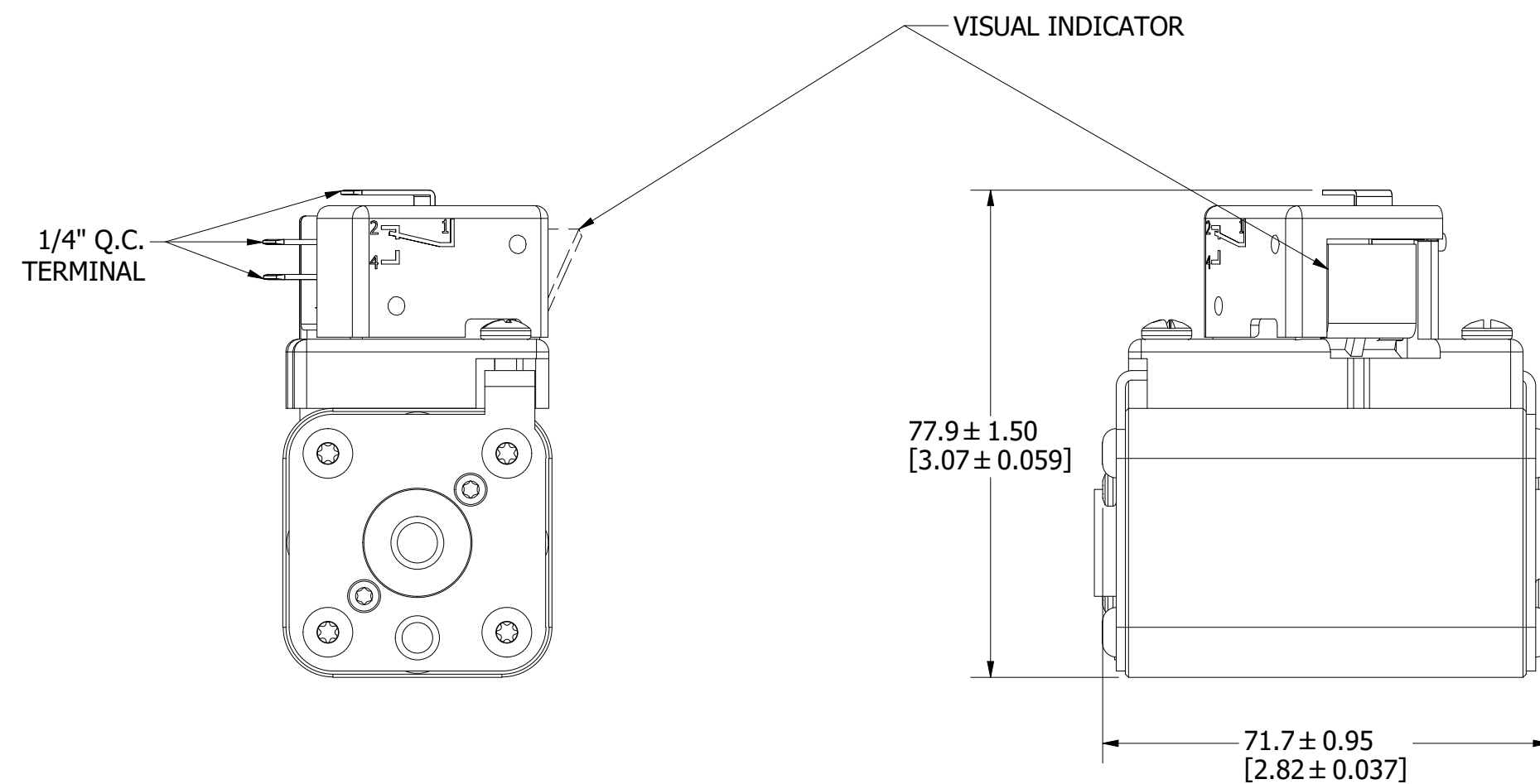
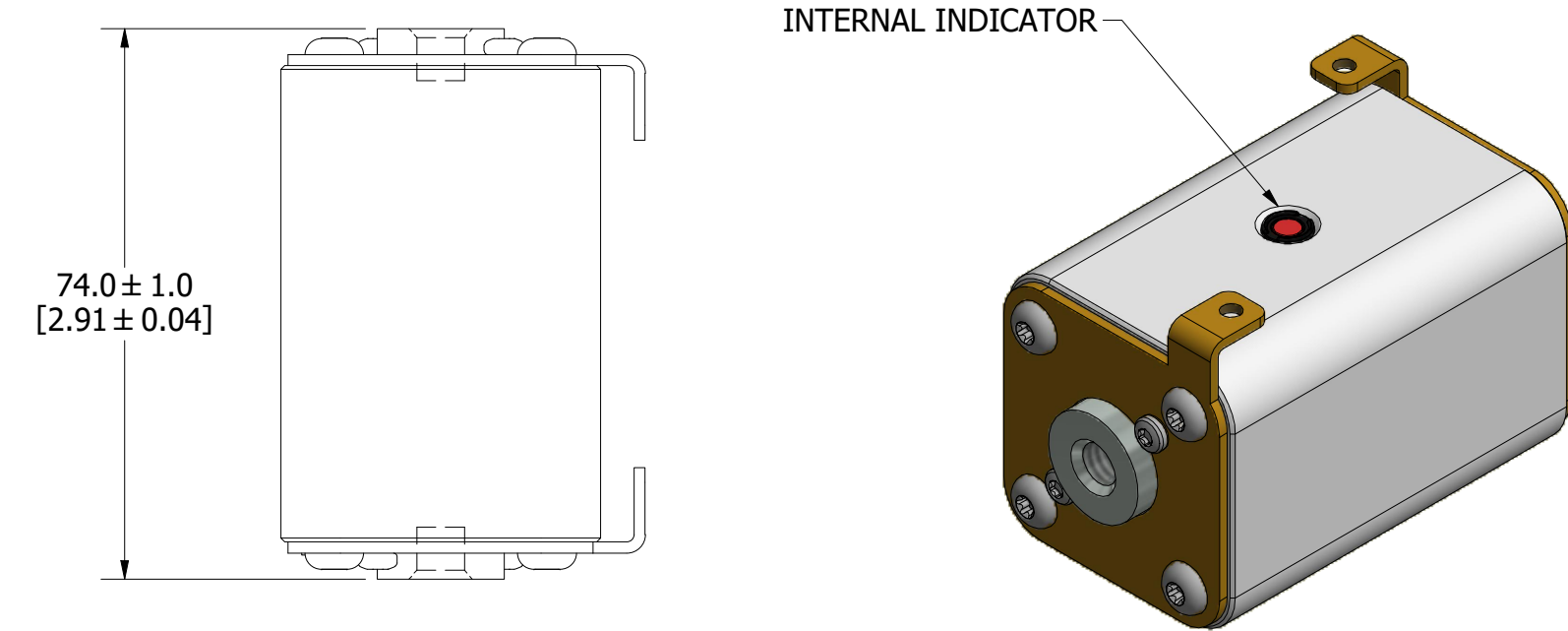
STUD SIZE: 5/16-18 UNC-2B ∇ 6.0 [0.24]

STUD TORQUE: 13-20Nm

FUSE WITH MICROSWITCH



FUSE



FUSE WITH MICROSWITCH

●	DENOTES CRITICAL CHARACTERISTICS.
CPK	DENOTES CPK DIMENSIONS, -MINIMUM CPK VALUE
(ST)	DENOTES A CHARACTERISTIC THAT PROVIDES AN INDICATION OF PROCESS PERFORMANCE. PROCEDURE FOR MEASUREMENT AND TRACKING TO BE DEFINED IN LITTELFUSE INSPECTION INSTRUCTIONS.
CP	DENOTES CP DIMENSIONS, -MINIMUM CP VALUE MUST BE WITHIN THE DIMENSIONAL LIMITATIONS SHOWN ON DRAWING AND INITIALLY LOCATED TO ALLOW FOR MAXIMUM TOOL LIFE.

MATL SPEC	FINISH		
DRW TVESELSK	DATE 11/6/2013	SCALE NTS	FINISH GOOD WT GRAMS/PIECE

UNLESS OTHERWISE SPECIFIED, DIMENSIONS ARE IN MILLIMETERS, DIMENSIONS IN BRACKETS [] ARE INCHES DIMENSIONING AND DO NOT INCLUDE PLATING. TOLERANCING TO BE INTERPRETED IN ACCORDANCE WITH ANSI Y14.5M-1994



TITLE SQUARE BODY 70 CASE SIZE - ENGLISH THREAD OUTLINE

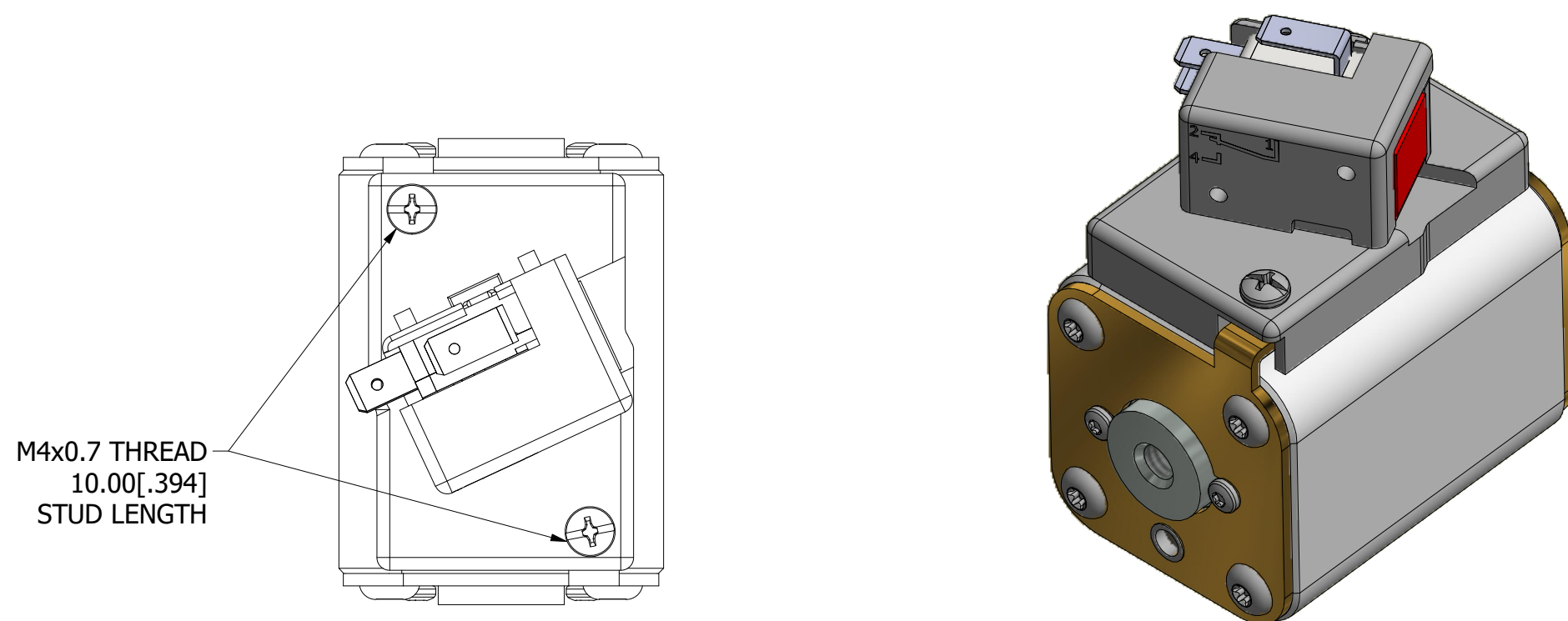
MOUNTING SPECS

STUD SIZE: 5/16-18 UNC-2B ∇ 8.0[0.31]

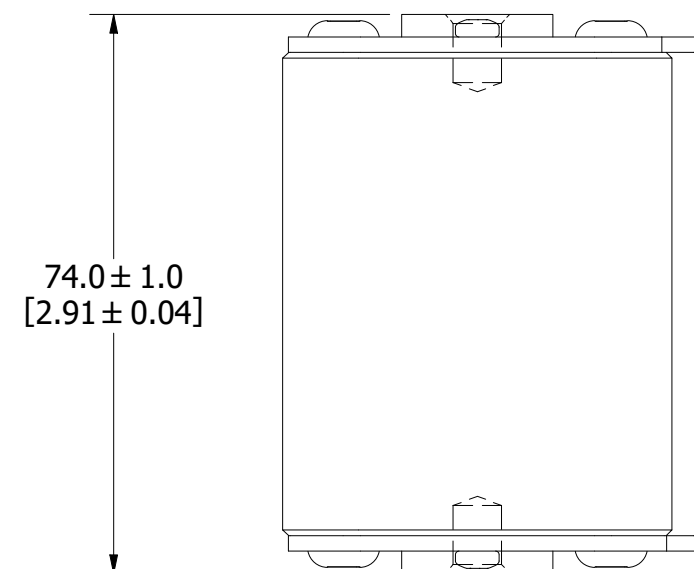
STUD TORQUE: 13-20Nm

REVISION		
REV	DATE	DESCRIPTION
A	03/16/2016	518344GCP - RELEASED -TV
B	10/19/2017	518344ECP - REVISE MOUNTING SPEC NOTES -TV
C	8/30/18	519782ECP/D - CHG STUD TORQUE MRY
D	5/5/22	525161ECP/D - CHANGE HEIGHT, ADD TOLERANCES MRY
E	5/19/22	525232ECP/D - UPDATE LENGTH DIMENSION MRY
F	7/14/22	525433ECP/D - CHANGE HEIGHT DIMENSION FORMAT MRY
G	10/24/23	526836ECP/D - ADD VIEW W/O MICROSWITCH MRY

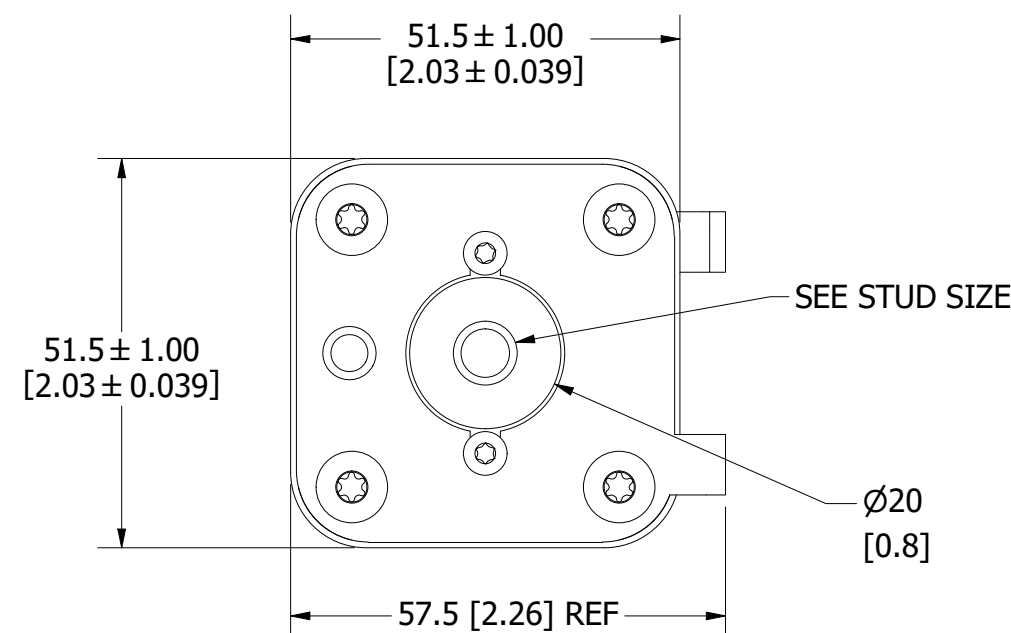
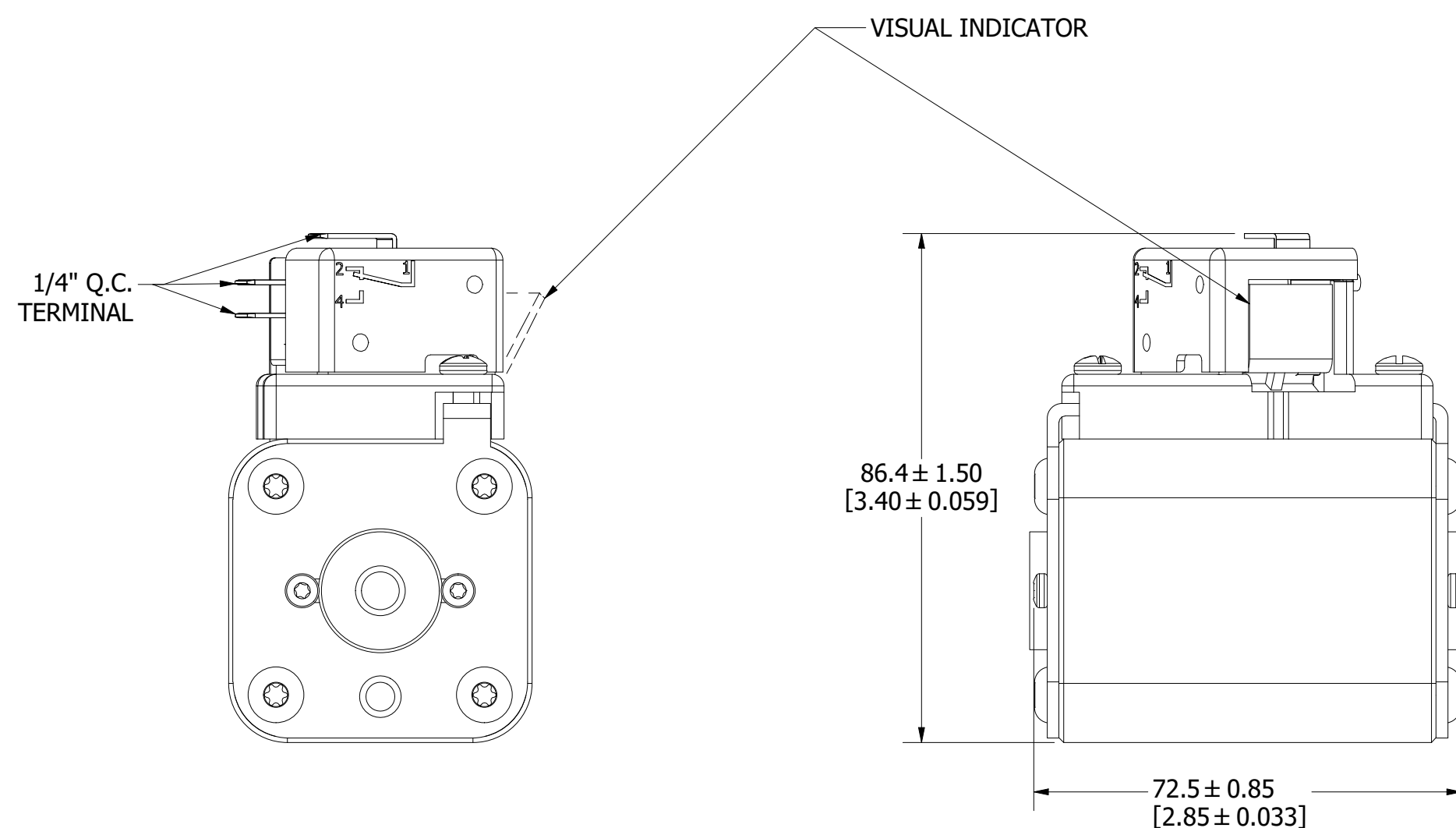
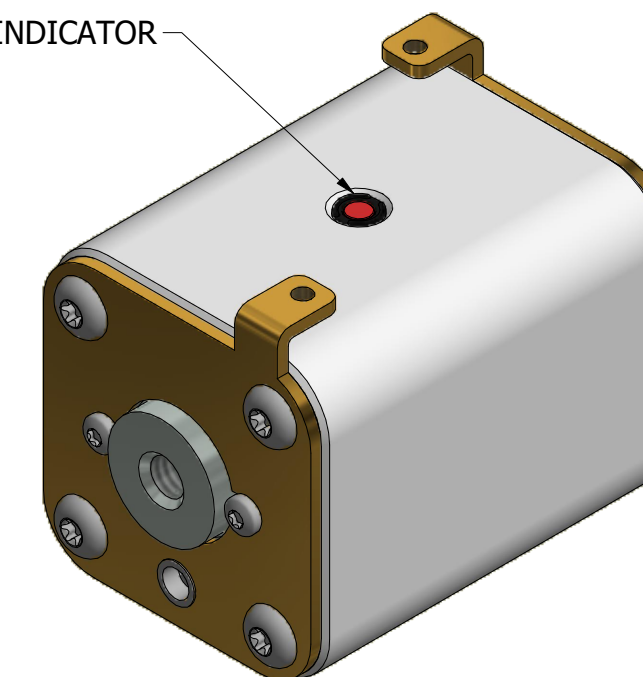
FUSE WITH MICROSWITCH



FUSE



INTERNAL INDICATOR



FUSE WITH MICROSWITCH

●	DENOTES CRITICAL CHARACTERISTICS.
CPK	DENOTES CPK DIMENSIONS, -MINIMUM CPK VALUE
(ST)	DENOTES A CHARACTERISTIC THAT PROVIDES AN INDICATION OF PROCESS PERFORMANCE. PROCEDURE FOR MEASUREMENT AND TRACKING TO BE DEFINED IN LITTELFUSE INSPECTION INSTRUCTIONS.
CP	DENOTES CP DIMENSIONS, -MINIMUM CP VALUE MUST BE WITHIN THE DIMENSIONAL LIMITATIONS SHOWN ON DRAWING AND INITIALLY LOCATED TO ALLOW FOR MAXIMUM TOOL LIFE.

MATL SPEC	FINISH		
DRW TVESELSK	DATE 11/6/2013	SCALE NTS	FINISH GOOD WT GRAMS/PIECE

UNLESS OTHERWISE SPECIFIED, DIMENSIONS ARE IN MILLIMETERS, DIMENSIONS IN BRACKETS [] ARE INCHES DIMENSIONING AND DO NOT INCLUDE PLATING. TOLERANCING TO BE INTERPRETED IN ACCORDANCE WITH ANSI Y14.5M-1994



TITLE SQUARE BODY 71 CASE SIZE - ENGLISH THREAD OUTLINE

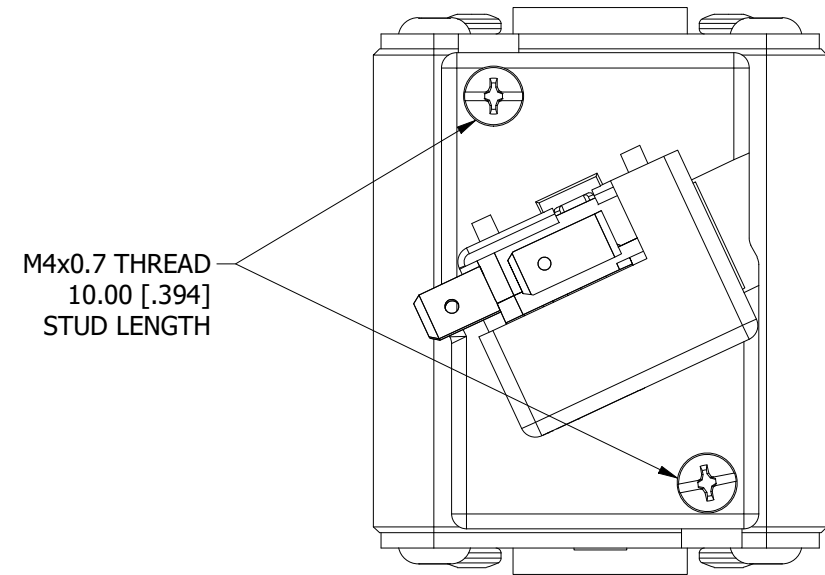
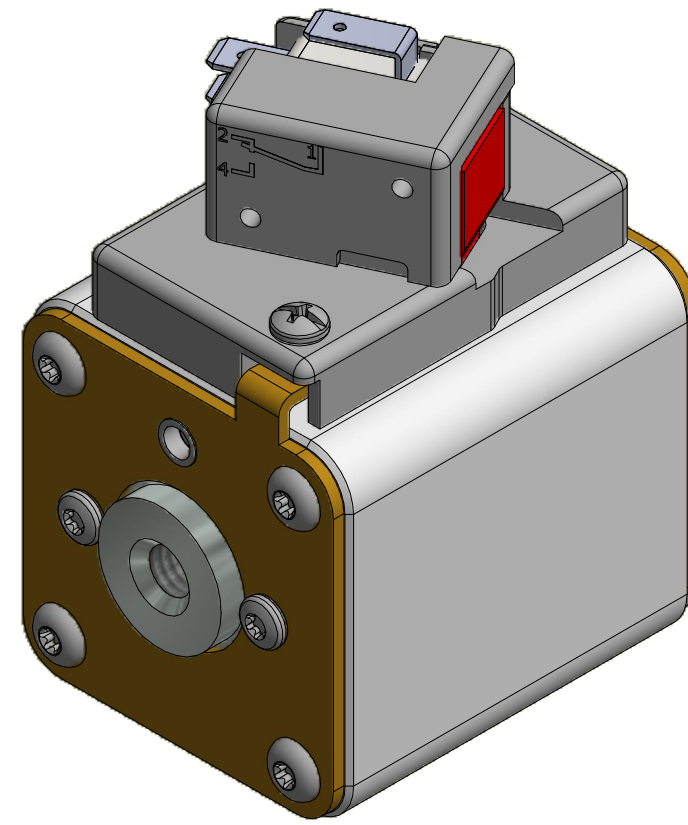
REVISION		
REV	DATE	DESCRIPTION
A	03/16/2016	517373GCP - RELEASED -TV
B	10/19/2017	518344ECP - REVISE STUD SIZE NOTES -TV
C	8/30/18	519782ECP/D - CHG STUD TORQUE MRY
D	5/5/22	525161ECP/D - CHANGE HEIGHT, ADD TOLERANCES MRY
E	5/19/22	525232ECP/D - UPDATE LENGTH DIMENSION MRY
F	7/14/22	525433ECP/D - CHANGE HEIGHT DIMENSION FORMAT MRY
G	10/24/23	526836ECP/D - ADD VIEW W/O MICROSWITCH MRY

MOUNTING SPECS:

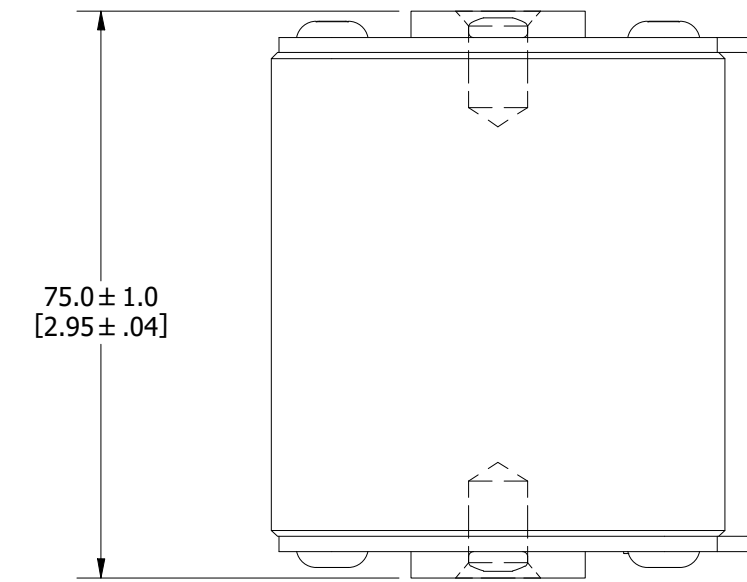
STUD SIZE: 3/8-16 UNC-2B ∇ 11.5[0.45]

STUD TORQUE: 26-35Nm

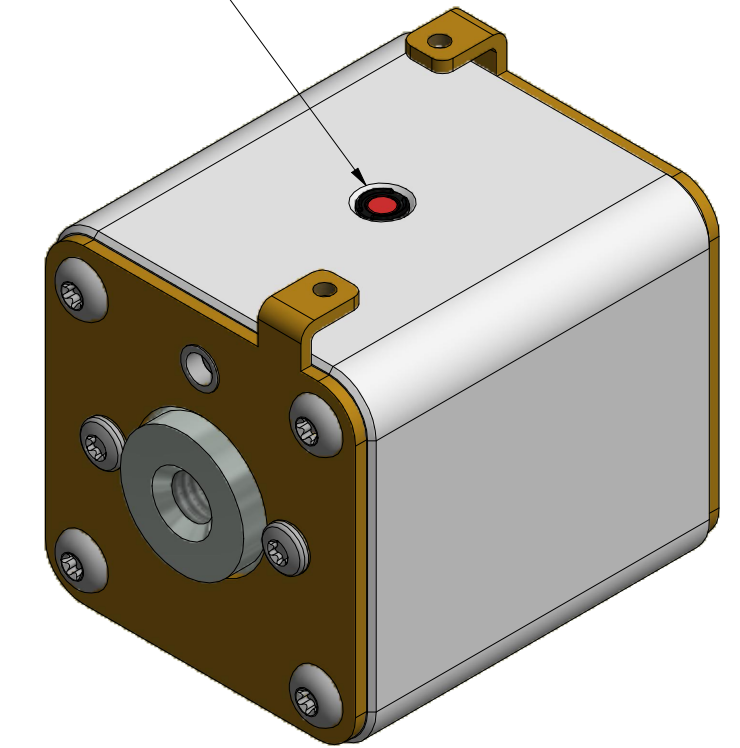
FUSE WITH MICROSWITCH



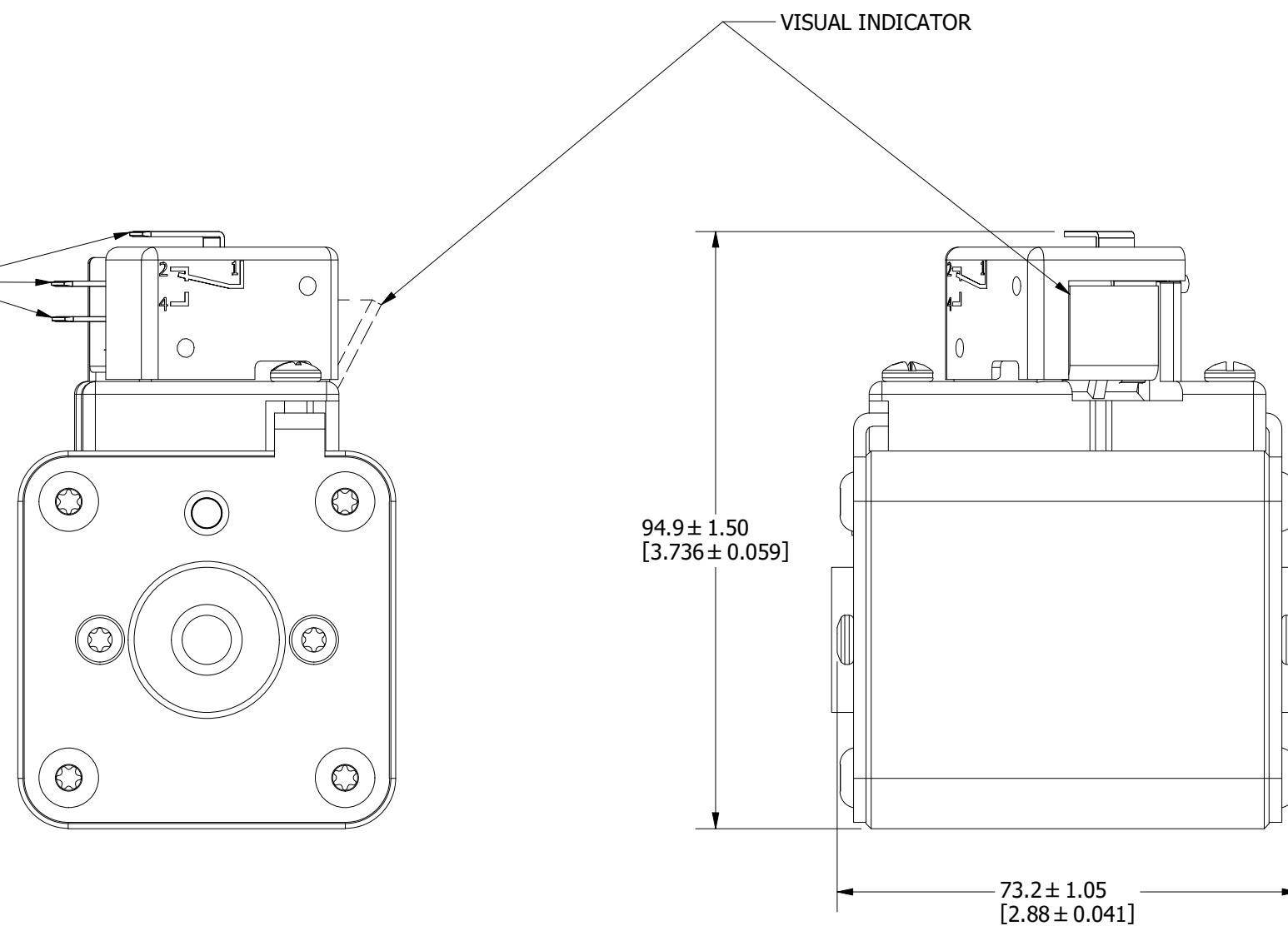
FUSE



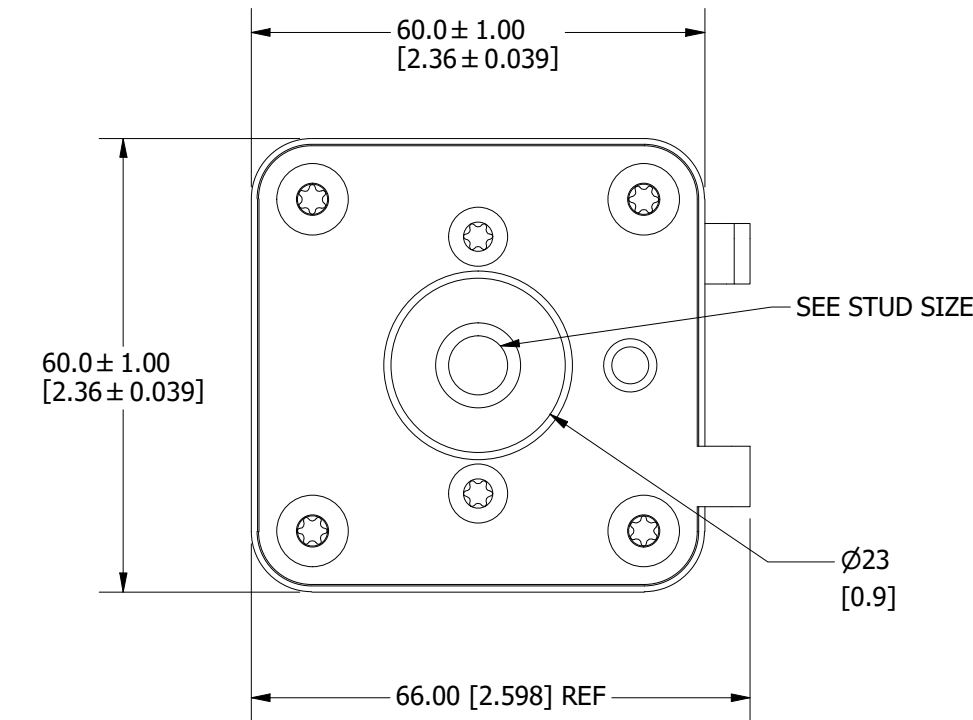
INTERNAL INDICATOR



1/4" Q.C. TERMINAL



FUSE WITH MICROSWITCH



●	DENOTES CRITICAL CHARACTERISTICS.
CPK	DENOTES CPK DIMENSIONS, -MINIMUM CPK VALUE
(ST)	DENOTES A CHARACTERISTIC THAT PROVIDES AN INDICATION OF PROCESS PERFORMANCE. PROCEDURE FOR MEASUREMENT AND TRACKING TO BE DEFINED IN LITTELFUSE INSPECTION INSTRUCTIONS.
CP	DENOTES CP DIMENSIONS, -MINIMUM CP VALUE MUST BE WITHIN THE DIMENSIONAL LIMITATIONS SHOWN ON DRAWING AND INITIALLY LOCATED TO ALLOW FOR MAXIMUM TOOL LIFE.

MATL SPEC	FINISH		
DRW TVESELSK	DATE 2/15/2016	SCALE NTS	FINISH GOOD WT GRAMS/PIECE

UNLESS OTHERWISE SPECIFIED, DIMENSIONS ARE IN MILLIMETERS, DIMENSIONS IN BRACKETS [] ARE INCHES DIMENSIONING AND DO NOT INCLUDE PLATING. TOLERANCING TO BE INTERPRETED IN ACCORDANCE WITH ANSI Y14.5M-1994



TITLE SQUARE BODY 72 CASE SIZE - ENGLISH THREAD OUTLINE

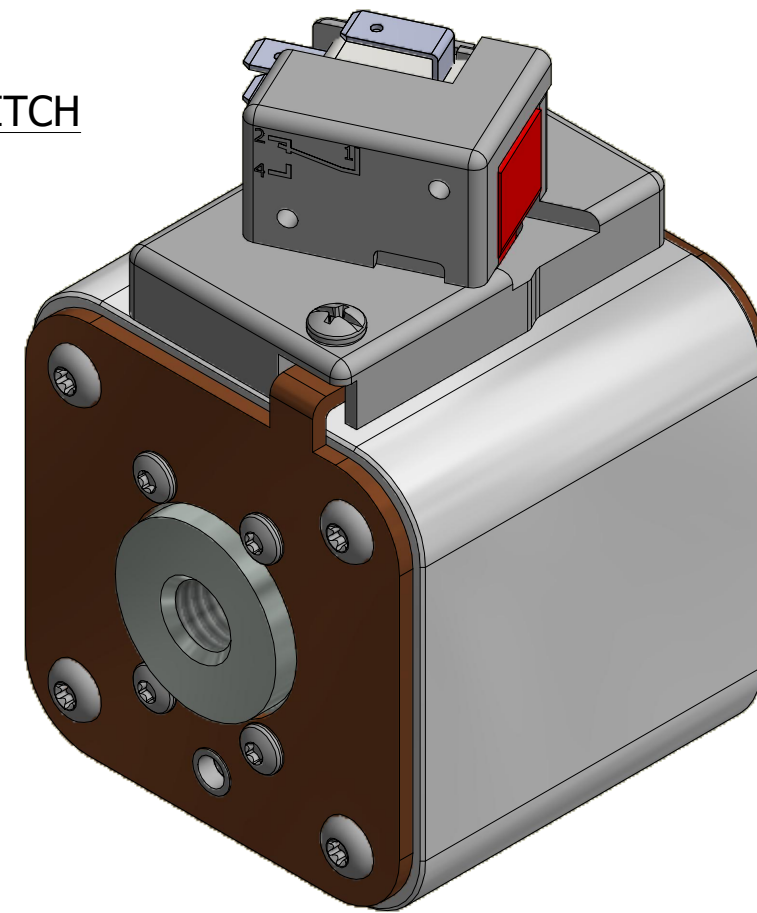
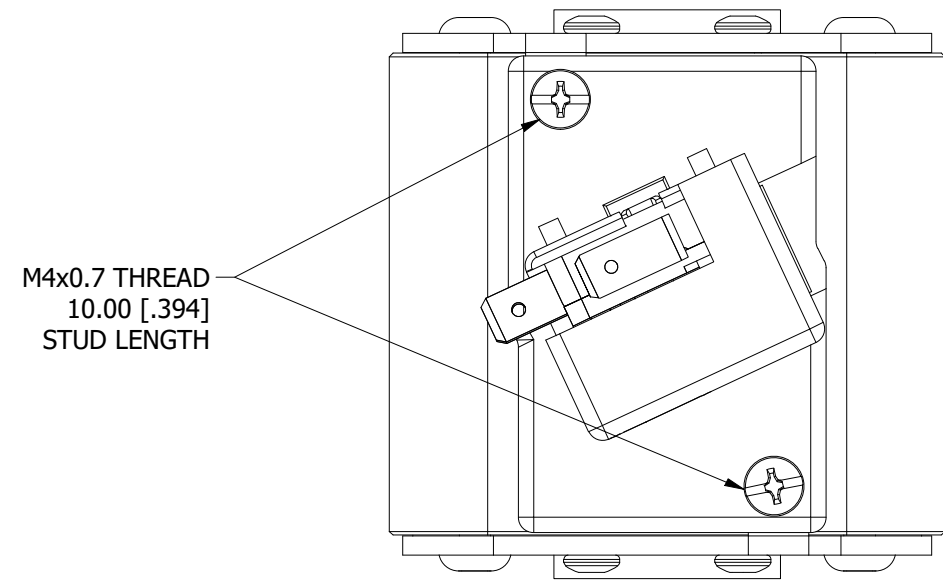
REVISION		
REV	DATE	DESCRIPTION
A	01/10/2018	518685GCP - RELEASED -TV
B	8/30/18	519782ECP/D - CHG STUD TORQUE MRY
C	5/5/22	525161ECP/D - CHANGE HEIGHT, ADD TOLERANCES MRY
D	5/19/22	525232ECP/D - UPDATE LENGTH DIMENSION MRY
E	7/14/22	525433ECP/D - CHANGE HEIGHT DIMENSION FORMAT MRY
F	10/24/23	526836ECP/D - ADD VIEW W/O MICROSWITCH MRY

MOUNTING SPECS:

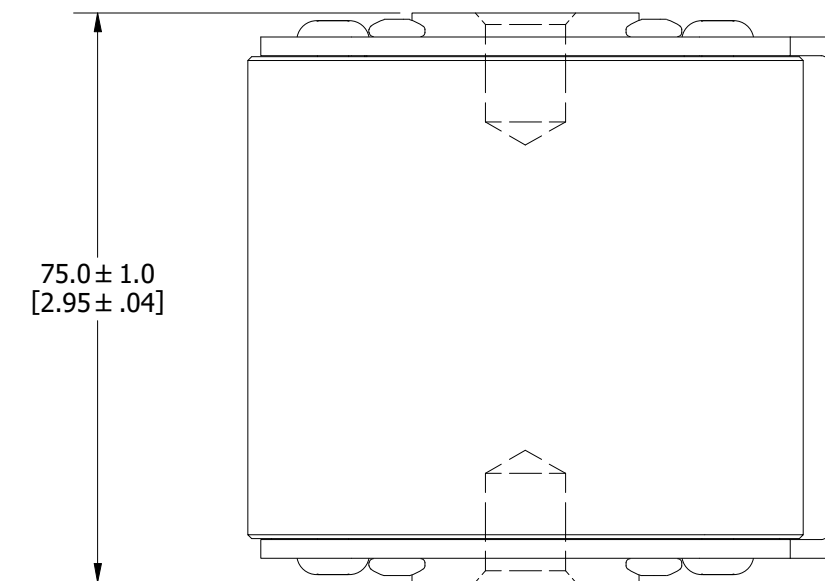
STUD SIZE: 1/2-13 UNC - 2B ∇ 13.0 [0.51]

STUD TORQUE: 45-55Nm

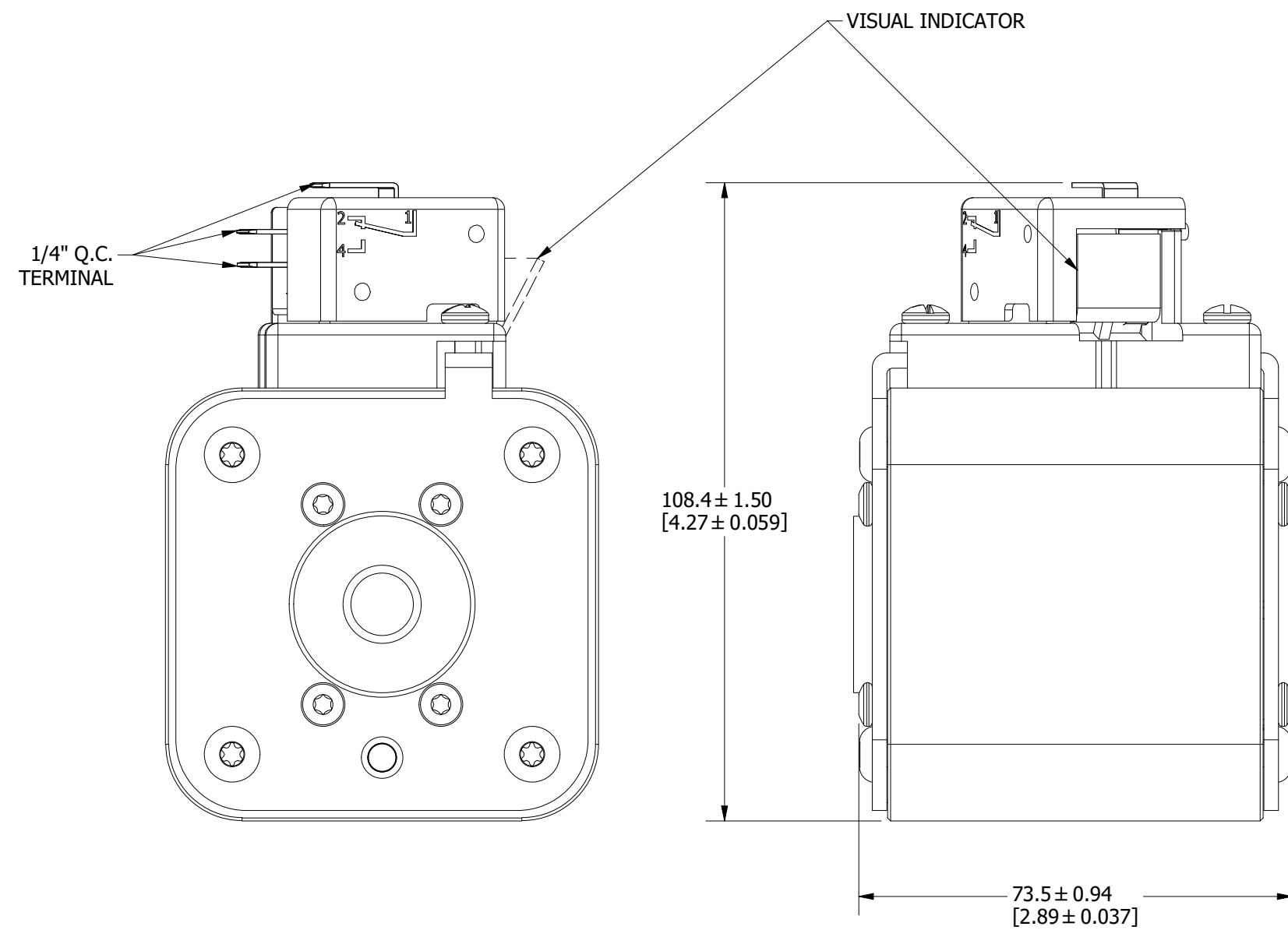
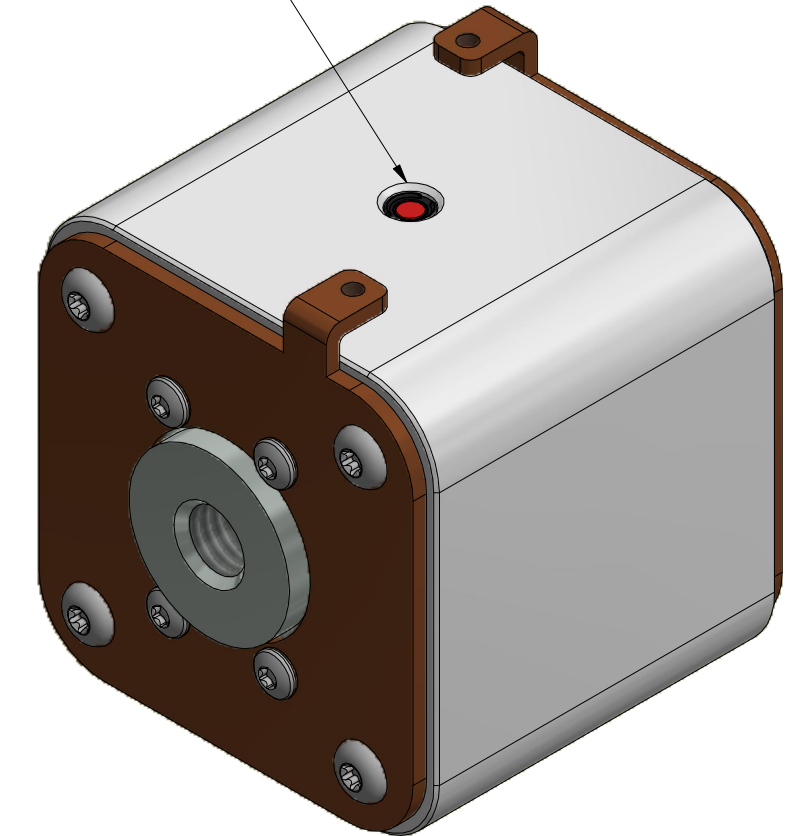
FUSE WITH MICROSWITCH



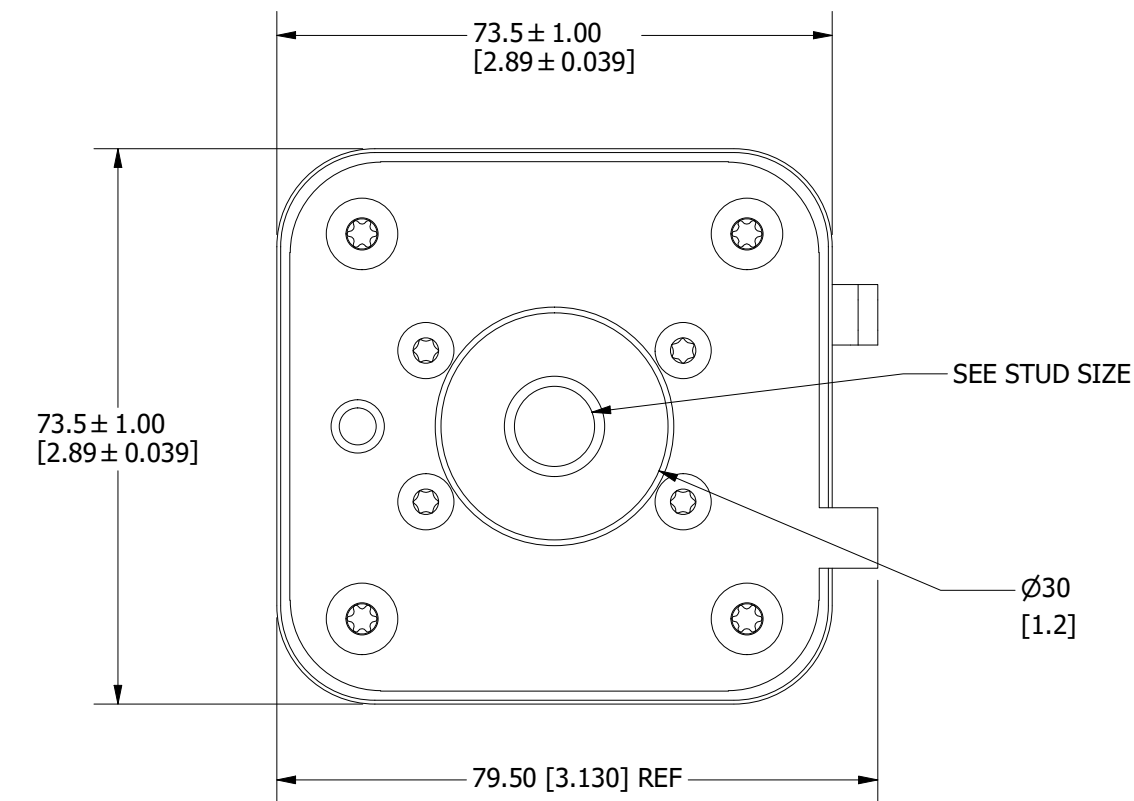
FUSE



INTERNAL INDICATOR



FUSE WITH MICROSWITCH



●	DENOTES CRITICAL CHARACTERISTICS.
CPK	DENOTES CPK DIMENSIONS, -MINIMUM CPK VALUE
(ST)	DENOTES A CHARACTERISTIC THAT PROVIDES AN INDICATION OF PROCESS PERFORMANCE. PROCEDURE FOR MEASUREMENT AND TRACKING TO BE DEFINED IN LITTELFUSE INSPECTION INSTRUCTIONS.
CP	DENOTES CP DIMENSIONS, -MINIMUM CP VALUE MUST BE WITHIN THE DIMENSIONAL LIMITATIONS SHOWN ON DRAWING AND INITIALLY LOCATED TO ALLOW FOR MAXIMUM TOOL LIFE.

MATL SPEC	FINISH		
DRW TVESELSK	DATE 2/4/2016	SCALE NTS	FINISH GOOD WT GRAMS/PIECE

UNLESS OTHERWISE SPECIFIED, DIMENSIONS ARE IN MILLIMETERS, DIMENSIONS IN BRACKETS [] ARE INCHES DIMENSIONING AND DO NOT INCLUDE PLATING. TOLERANCING TO BE INTERPRETED IN ACCORDANCE WITH ANSI Y14.5M-1994



TITLE SQUARE BODY 73 CASE - ENGLISH THREAD OUTLINE