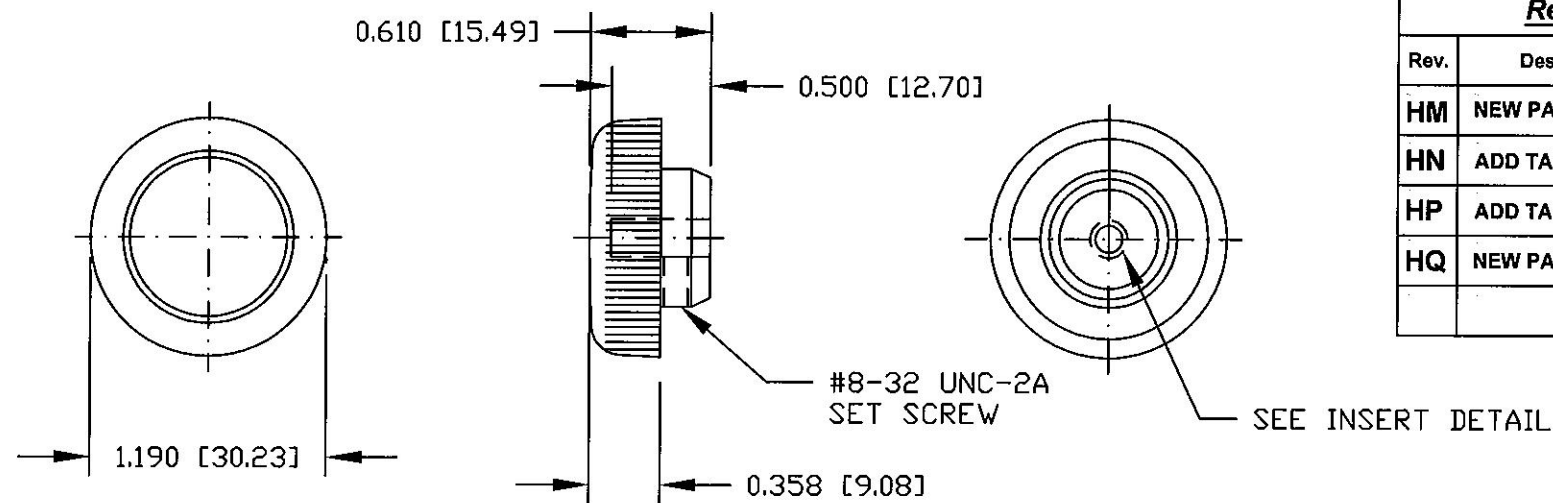
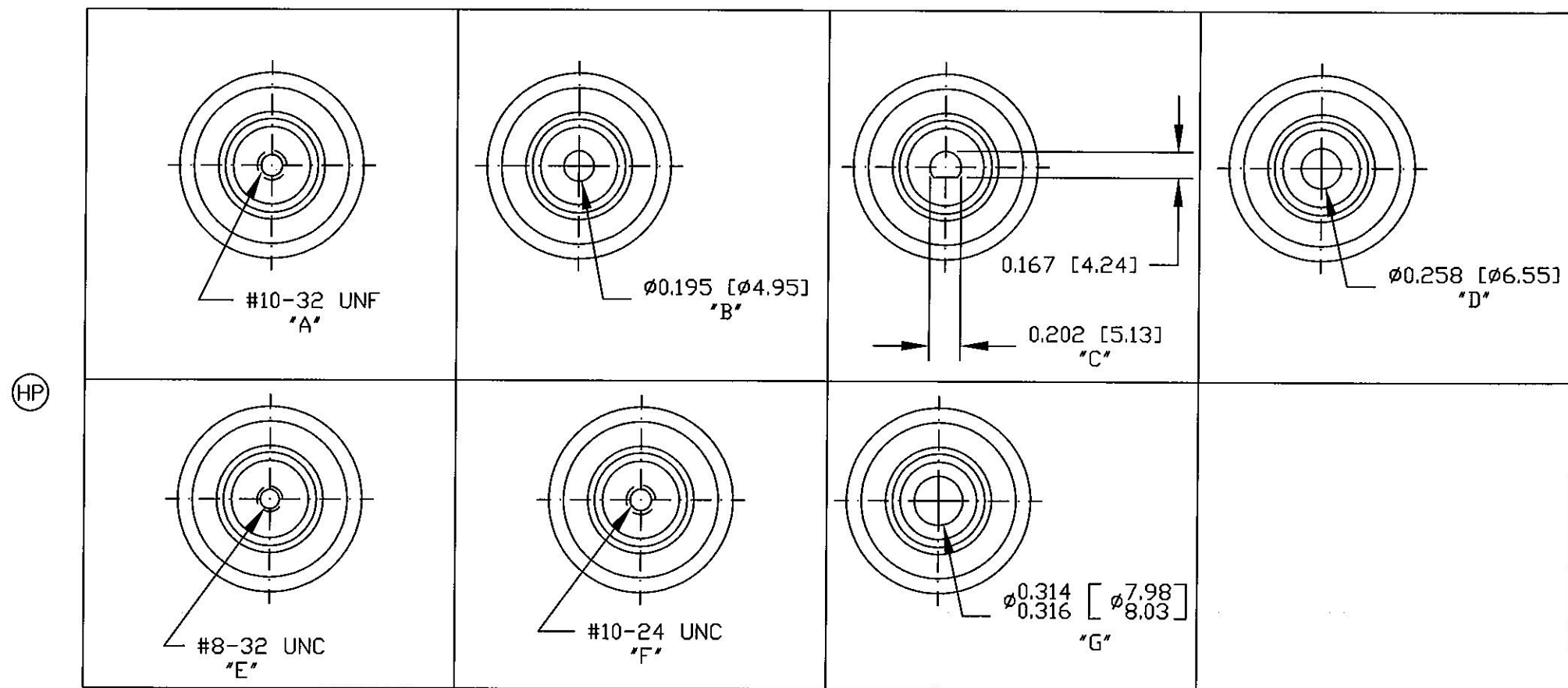


PART NUMBER	ARTWORK	SYMBOL	MEANING	INSERT DETAIL
81270-508				A
81270-608				B
81270-708				D
81270-858				C
81298-47			NONE	E
81298-48			NONE	F
81298-79				D (HP)
81294				C
81294-01	TA-117-23	↑	INDICATOR	B
81294-02				D
81294-03				A
81298-01				A
81298-02	TA-117-1	☂	WINDSHIELD WIPER	B
81298-54				F
81298-03				A (HP)
81298-04	TA-117-22	☂	HEADLIGHT UPPER BEAM	B
81298-27				D
81298-49				E
81298-50				F
81298-05				A
81298-06	TA-117-25	☂	WINDSHIELD DEFROSTER	B
81298-16				D
81298-07				A
81298-08	TA-117-26	△	EMERGENCY LIGHT	B
81298-09				A
81298-10	TA-117-27	↔	TURN SIGNAL	B
81298-74				D
81298-11				A
81298-12	TA-117-6	☂	WORK LIGHT	B
81298-36				D
81298-13				A
81298-14	TA-117-7	☂	TEMPATURE HOT	B
81298-15				D
81298-51				F



Revision Control Record			
Rev.	Description of Change	ECN No.	Date
HM	NEW PART 81298-86	03627	11/13/03
HN	ADD TA PART#	04185	06/02/04
HP	ADD TA PART#, NOTE 5,CORR	05410	10/26/05
HQ	NEW PART 81298-87	09439	08/31/09



- NOTES:
1. ALL STEEL PARTS PLATED
 2. BLACK KNOB, WHITE IMPRINTING
 3. SET SCREW IS LOCATED AT BOTTOM ON VERTICAL CENTER LINE IN RELATION TO SYMBOL, AS SHOWN
 4. SEE BILL OF MATERIALS FOR SCREW REQUIREMENT. SCREW TO BE SECURE IN KNOB BUT SHALL NOT PROTRUDE INTO I.D. OF HOLE OR THREAD

Tolerances Unless otherwise specifically noted, the following are default tolerances:
 • 2-place Decimal Dimensions +/- .02"
 • 3-place Decimal Dimensions +/- .005"
 • Angular Dimensions +/- 1.0 Deg.
 • Metric: Refer to equivalent English Dimension Tolerance
 >>> NOTE: All tolerances are Non-Cumulative. <<<

Dimensional Units All dimensions are expressed in Inches except those shown in brackets (xxx) are expressed in millimeters

"REF." or an Asterisk (*) = Non-Toleranced Reference Dimension, shown for clarification purposes only.

PROPRIETARY INFORMATION This Engineering Drawing, and the information contained herein, is proprietary to Cole Hersee Company and may not be disclosed, re-produced, or in any other way transferred or communicated to any other party without the express written consent of an authorized representative of Cole Hersee Company.

DESIGN CONTROL It is the responsibility of the individual using / referencing this drawing to assure that the noted design revision level agrees with the revision level of the Controlled Document (Master Drawing). This is a NON-CONTROLLED DOCUMENT unless otherwise specifically noted.

DO NOT SCALE - Dimensional variation may occur during printing / reproduction.

Special Characteristics:

- CC Critical Characteristic, relating to Safety and/or Regulatory Compliance
- X Significant Characteristic relating to Process Control (SPC)
- KC Key Characteristic relating to Form - Fit - Function as defined by Cole Hersee Company and/or the Customer

(Note that the identification of any Characteristics as being "Special" does not alter the requirement that ALL specified dimensions & tolerances must be met.)

Cole Hersee Co.
 20 Old Colony Ave., South Boston, MA, 02127
 Phn: 617-268-2100 Web: www.colehersee.com

Description:
KNOB ASSY

Drawing / Part No.: 81294

Current Rev.: HQ