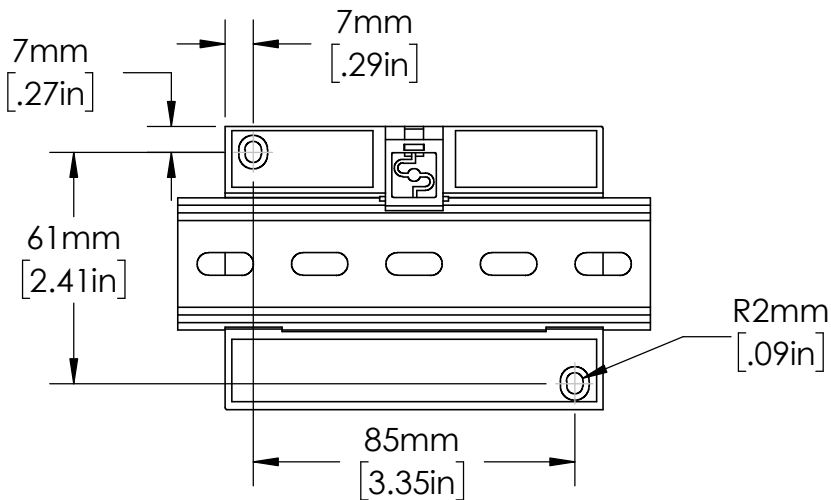
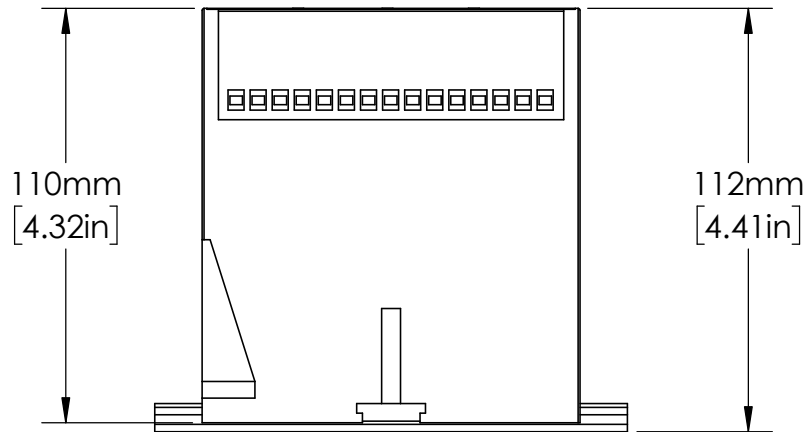
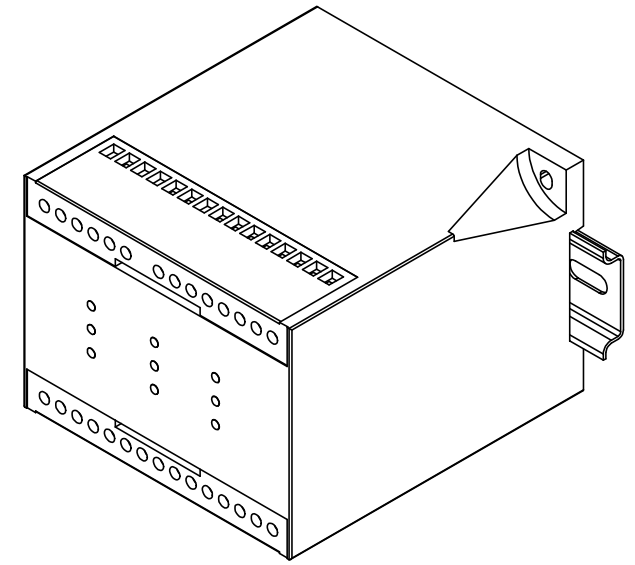


EN550022 (35.0 x 7.5mm)  
DIN RAIL SHOWN



UNLESS NOTED OTHERWISE  
DIMENSIONS ARE IN INCHES  
TOLERANCES:  
TWO PLACE DECIMAL ±0.05  
NOT DRAWN TO SCALE

MATERIAL	
NAME	DATE
DRAWN BY J.MOLER	12/05/22



DESCRIPTION:  
**GROUND FAULT PROTECTION**

PART NUMBER:  
**SE-502**

REV  
**A**

WEIGHT:

SHEET 1 OF 1