

APPLICABLE SAE STANDARD OR RECOMMENDED PRACTICE SAE J259

956-5109

FACE NUT, ALUMINUM  
 LEVER, ZINC DIE CAST, CHROME PLT.  
 HOUSING, ZINC DIE CAST  
 MARK PART NO. & DATE CODE AT RANDOM (N)

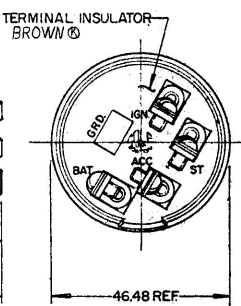
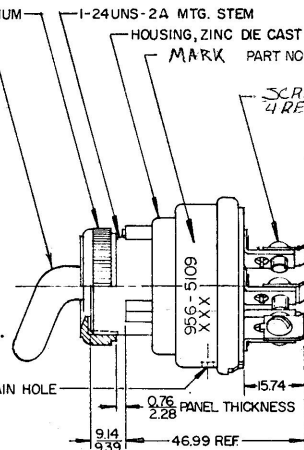
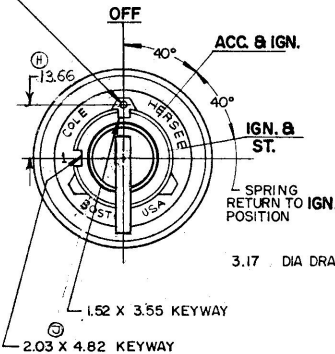
1.57 DIA. x 1.01 HIGH PIN

SCREW, # 8-32, & LOCKWASHER  
 4 REQ'D (M)

MM  
 0.001  
 0.002  
 0.005  
 0.010  
 0.020  
 0.030  
 0.040  
 0.050  
 0.062  
 0.080  
 0.090  
 0.100  
 0.125  
 0.150  
 0.160  
 0.170  
 0.200  
 0.250  
 0.300  
 0.375  
 0.450  
 0.500  
 0.562  
 0.625  
 0.750  
 0.875  
 1.000  
 1.250  
 1.500  
 1.750  
 2.000

46.48  
 46.99  
 13.66

11 P.M. 9-28-71  
 -3X-16009C



- NOTE:  
 1. TERMINAL INSULATOR GASKET SEALED  
 2. SHOULDER TYPE RIVET CONSTRUCTION  
 3. SILVER LAMINATED CONTACT SURFACES  
 4. ALL STEEL PARTS PLATED

METRIC

Confidential Property of Cole Hersee

DO NOT SCALE

LET	WAS	DATE	BY	LET	WAS	DATE	BY	MATERIAL	DRAWN	CHECKED	APPR'D	SCALE	DATE DRAWN
				L	ZINC	25034	12/29/70	5H	RW			1:1	9-16-71
				K	ECN	25189	8/13/72	5H					
				J	DELTA NOTE	23263	9-30-86	ZU					
N	ECN #00422	6/6/08	MK	H	REVISED	22457	6/6/04	1/4X					
M	ECN 00137	3/1/00	WH	G	REDRAWN		1-19-79						



3 - POSITION  
 IGNITION & START SWITCH

956-5109