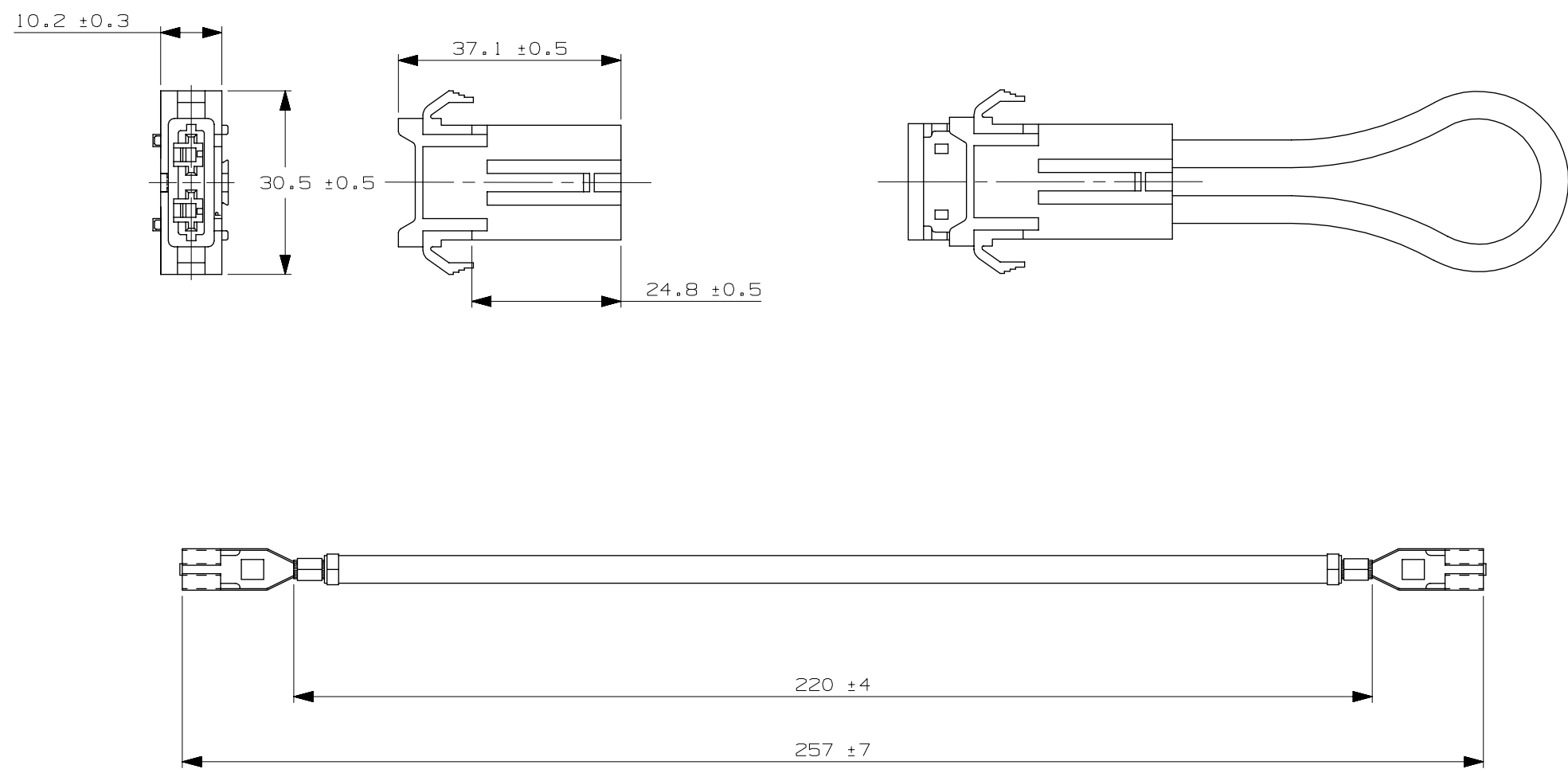


ASSEMBLED PART NO.	FUSE
01550300Z	N/A
01550303ZXA	0287003.PXCN
01550304ZXA	0287004.PXCN
01550305ZXA	0287005.PXCN
01550375ZXA	028707.5PXCN
01550310ZXA	0287010.PXCN
01550315ZXA	0287015.PXCN
01550320ZXA	0287020.PXCN
01550320ZXU	N/A
01550400Z	N/A
01550425ZXA	0287025.PXCN
01550430ZXA	0287030.PXCN
01550430ZXU	N/A

LTR	DATE	REVISION	CHK	APD
A	23/FEB/18	518926GCA-NEW RELEASE	OPL	



ASSEMBLED VIEW

NO	COMPONENT NO	DESCRIPTION	QTY/M	U/M
BILL OF MATERIAL				
UNLESS OTHERWISE SPECIFIED, DIMENSIONS ARE IN MILLIMETERS. DIMENSIONS IN BRACKETS () ARE INCHES				
UNLESS OTHERWISE SPECIFIED, DIMENSIONS DO NOT INCLUDE PLATING.				
◎	DENOTES CRITICAL CHARACTERISTICS.			
CPK	DENOTES CPK DIMENSIONS, -MINIMUM CPK VALUE			
(ST)	DENOTES A CHARACTERISTIC THAT PROVIDES AN INDICATION OF PROCESS PERFORMANCE. PROCEDURE FOR MEASUREMENT AND TRACKING TO BE DEFINED IN LITTELFUSE INSPECTION INSTRUCTIONS			
CP	DENOTES CP DIMENSIONS, -MINIMUM CP VALUE MUST BE WITHIN THE DIMENSIONAL LIMITATIONS SHOWN ON DRAWING AND INITIALLY LOCATED TO ALLOW FOR MAXIMUM TOOL LIFE			
COPIES TO	MATL SPEC			
1 9 18	FINISH			
2 10 19	-			
3 12 20				
4 13 21	DRW	OPL	DATE	23/FEB/18
5 14 23	CHK		DATE	SUPER DR
6 15 33	APPD		DATE	FINSH GOOD WT
7 16 43				
8 17 53	GRAMS/PIECE			
TOLERANCES UNLESS OTHERWISE SPECIFIED (REF. ISO 2768-MH)				
DIMENSION	0.5 - 3	3 - 6	6 - 30	30 - 120
TOLERANCE	+0.05	+0.05	+0.1	+0.15
3RD ANGLE PROJECTION	TITLE			
	ATOF FUSE HOLDER IN-LINE			
Littelfuse DES PLAINES, ILLINOIS 60016		REVISION	DRWG. NO.	OUTLINE
		A	0L-01550300Z	

CAD GENERATED DRAWING - NO PENCIL CHANGES ALLOWED