

HOUSING: PLASTIC, BLACK

HEXNUT: 15/32-32

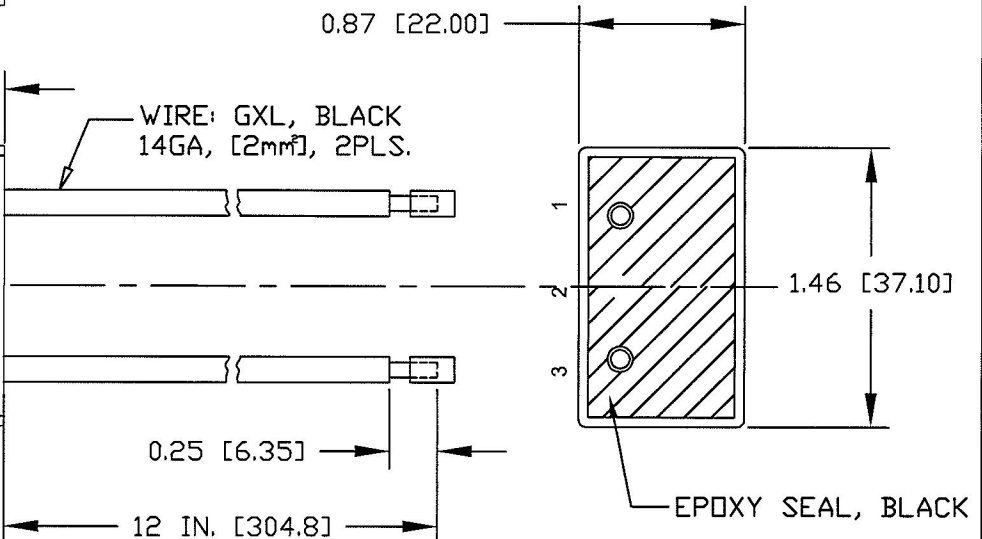
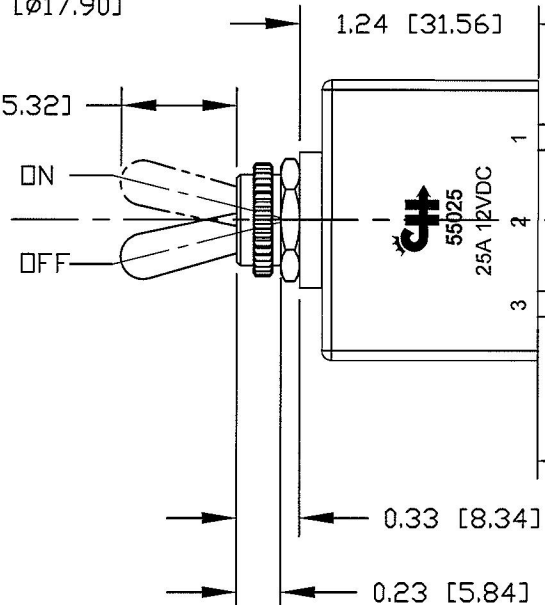
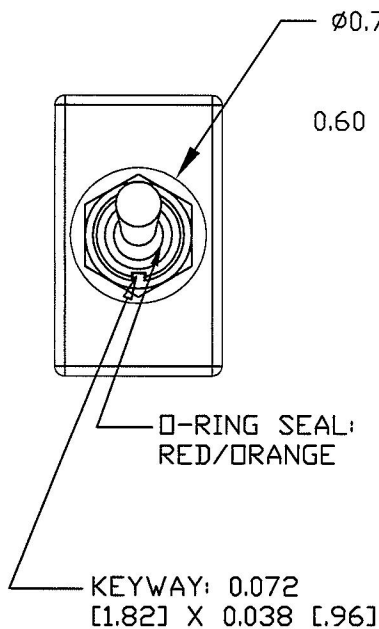
DATE CODE

Ø0.472 [12.00]

xxxx  
Made in China

**Revision Control Record**

| Rev. | Description of Change | ECN No. | Date    |
|------|-----------------------|---------|---------|
| A    | NEW DRAWING RELEASE   | 11429   | 12/7/11 |
|      |                       |         |         |
|      |                       |         |         |
|      |                       |         |         |



**NOTES:**

- 1) SEALED TOGGLE SWITCH, SPST, SILVER CONTACTS.
- 2) SEALING SPEC: IP67.
- 3) ENVIRONMENTAL: -40 TO 85°C
- 4) BUSHING, TOGGLE & HWARE: BRASS, NICKEL PLATED.
- 5) ELECTRICAL RATING: 25A@12VDC; 15A@24VDC.
- 6) ALL HARDWARE ASSEMBLED.

**Tolerances** Unless otherwise specifically noted, the following are default tolerances;

**2-places** +/- 0.02"  
**3-places** +/- 0.005"  
**Angular** +/- 1'

Metric: Shown in [ ] refers to equivalent English Dim Tol

"REF." or an Asterisk (\*) = Non-Toleranced Reference Dimension, shown for clarification purposes only.

NOTE: All tolerances are Non-Cumulative.

**PROPRIETARY INFORMATION**  
This Engineering Drawing, and the information contained herein, is proprietary to Cole Hersee Company and may not be disclosed, re-produced, or in any other way transferred or communicated to any other party without the express written consent of an authorized representative of Cole Hersee Company.

**Special Characteristics:**

- Critical Characteristic, relating to Safety and/or Regulatory Compliance
- Significant Characteristic relating to Process Control
- Control Dimension relating to Form - Fit - Function as defined by Cole Hersee Company and/or the Customer



**Cole Hersee Co.**  
20 Old Colony Ave., South Boston, MA, 02127  
Phn: 617-268-2100 Web: www.colehersee.com

**Description:** **SW. TOGGLE, ON-OFF**

**Drawing / Part No.:** **55025** **Current Rev.:** **A**