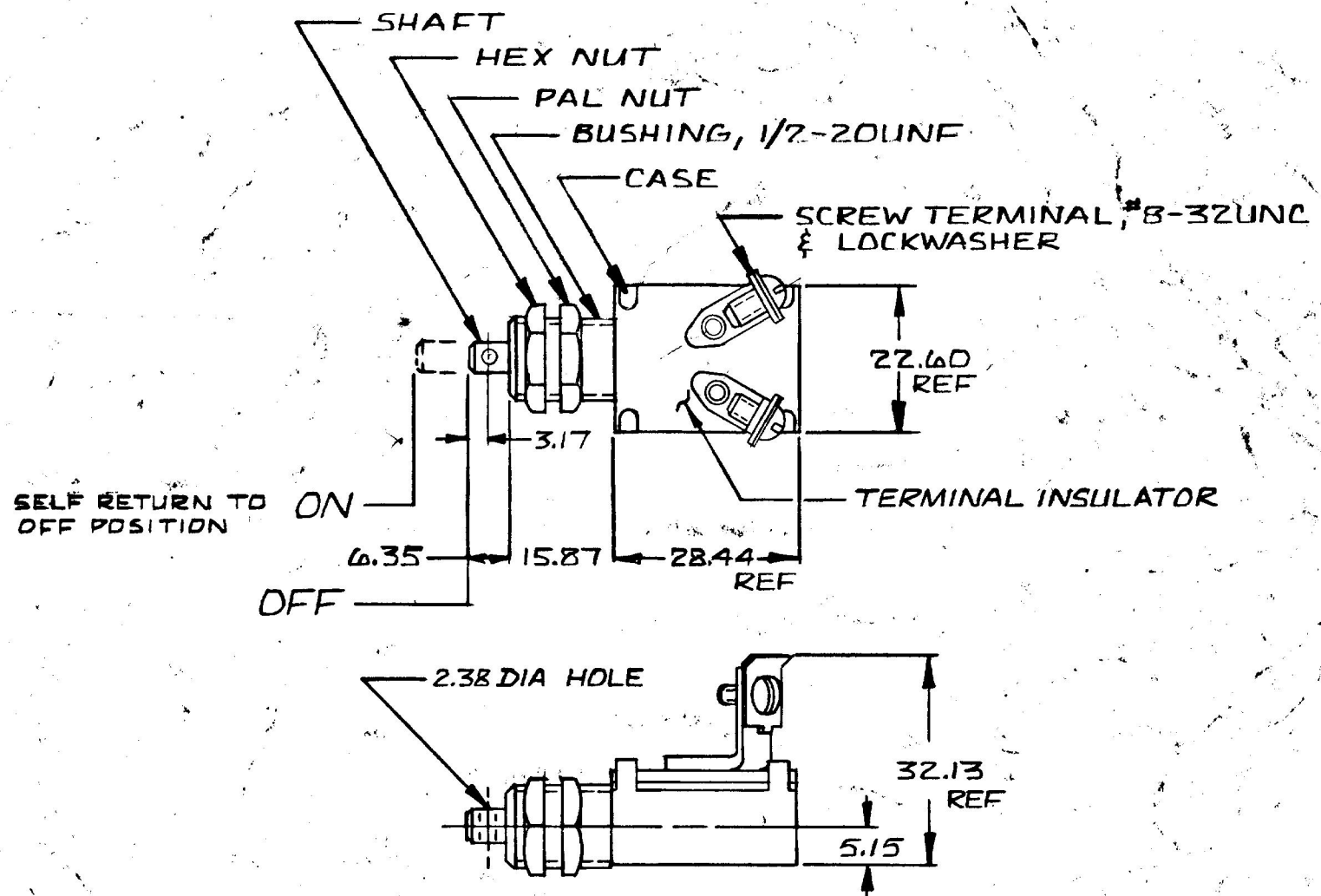


MGT IN

.25	.010
2.38	.083
3.17	.125
5.15	.218
15.87	.625
22.60	.890
28.44	1.120
32.13	1.265


9109



METRIC

NOTE:
ALL STEEL PARTS PLATED

DO NOT SCALE

LET.	WAS	DATE	BY	LET	WAS	DATE	BY	MATERIAL	DRAWN	CHECKED	APPR'D.	SCALE	DATE DRAWN
								#	AD	RA		1:1	9-18-51
								FINISH					DATE BLUEPRINT
								TOLERANCES	 20 OLD COLONY AVENUE, SOUTH BOSTON, MA, U.S.A. 02127 NORMALLY OFF MOMENTARY SWITCH				9109
								DECIMAL ±					
				J	REDRAWN/N.C.	10-21-81	(B)	METRIC ±.25					

CH-188(4-78)