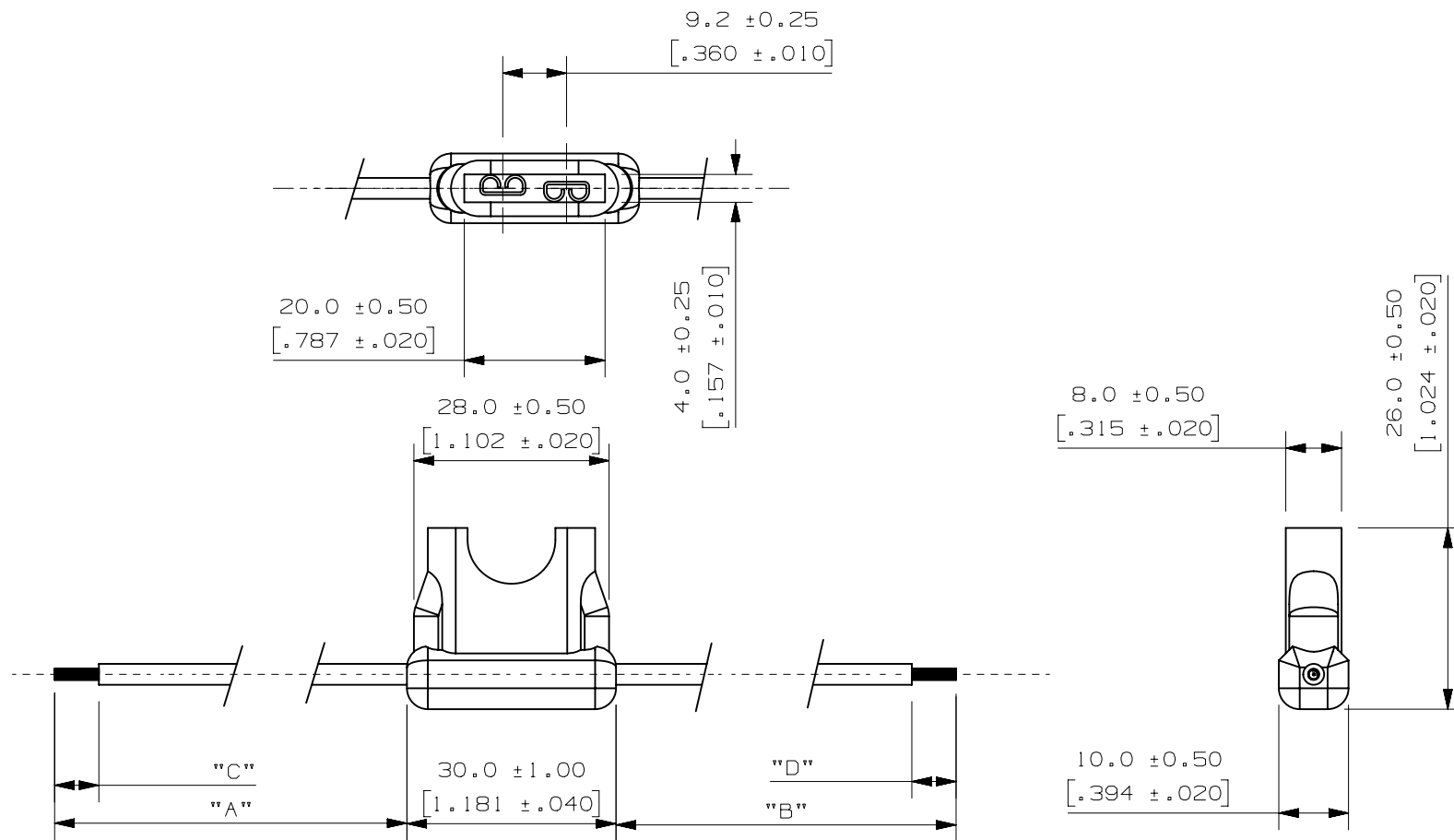


PART NUMBER	"A"	"B"	"C"	"D"	LEAD "A" COLOR	LEAD "B" COLOR
OFHA0002ZXJ	101.6 +/- 5 (4.0)	101.6 +/- 5 (4.0)	6.35 +/- 2 (0.25)	6.35 +/- 2 (0.25)	ORANGE	ORANGE
OFHA0002ZXJA	228.6 +/- 5 (9.0)	228.6 +/- 5 (9.0)	6.35 +/- 2 (0.25)	6.35 +/- 2 (0.25)	ORANGE	ORANGE
OFHA0002ZXJB	101.6 +/- 5 (4.0)	101.6 +/- 5 (4.0)	NO STRIP	NO STRIP	ORANGE	ORANGE



- NOTES:
- HOLDER MATERIAL : BLACK TPV.
 - CONTACTS : COPPER ALLOY, TIN PLATED.
 - WIRE: 12 AWG STRANDED COPPER, 125°C RATED, GXL INSULATION.
 - CRIMP MUST MEET SAE/USCAR21 STANDARD.
 - RATING : MAX. 30A, 32VDC.
 - MAX. TEMP. : 105 °C.
 - FUSEHOLDERS MUST NOT BE PLACED UNDER TENSION IN FINAL APPLICATION.

METRIC

UNLESS OTHERWISE SPECIFIED, DIMENSIONS ARE IN MILLIMETERS. DIMENSIONS IN BRACKETS [] ARE INCHES	
UNLESS OTHERWISE SPECIFIED, DIMENSIONS DO NOT INCLUDE PLATING.	
CPK	DENOTES CRITICAL CHARACTERISTICS.
ST	DENOTES CPK DIMENSIONS, -MINIMUM CPK VALUE
CP	DENOTES A CHARACTERISTIC THAT PROVIDES AN INDICATION OF PROCESS PERFORMANCE. PROCEDURE FOR MEASUREMENT AND TRACKING TO BE DEFINED IN LITTELFUSE INSPECTION INSTRUCTIONS
	DENOTES CP DIMENSIONS, -MINIMUM CP VALUE MUST BE WITHIN THE DIMENSIONAL LIMITATIONS SHOWN ON DRAWING AND INITIALLY LOCATED TO ALLOW FOR MAXIMUM TOOL LIFE

NO COMPONENT NO		DESCRIPTION		QTY/M		U/M	
BILL OF MATERIAL							
MATERIAL SPEC		REFER TO NOTES					
FINISH		REFER TO NOTES					
DRW	RLDJ	DATE	06/09/10	SCALE	1:1		
CHK		DATE		SUPER DR			
APPD		DATE		FINISH GOOD WT	GRAMS/PIECE		
COPIES TO		TOLERANCES UNLESS OTHERWISE SPECIFIED (REF. ISO 2768-FH)					
1	9	18	19	20	21	23	33
DIMENSION		0.5 - 3	3 - 6	6 - 30	30 - 120	120 - 400	UP TO OVER
TOLERANCE		+0.05	+0.05	+0.1	+0.15	+0.2	
3RD ANGLE PROJECTION		TITLE					
AUTOFUSE HOLDER, IN-LINE		AUTOFUSE HOLDER, IN-LINE					
LITTELFUSE		LITTELFUSE					
LIPA CITY, BATANGAS, PHILIPPINES		LIPA CITY, BATANGAS, PHILIPPINES					
REVISION		DRWG. NO.					
D		OL-OFHA0002ZXJ					
OUTLINE		OL-OFHA0002ZXJ					

LTR	DATE	REVISION	CHK	APD
A	7/16/07	000105ER - RELEASED DHM		
B	10/14/13	059552ECA - REDRAW AND CORRECT DIMENSIONS JJB		
C	3/11/15	511660ECA - UPDATE DIMENSION TOLERANCES FYUE		
D	6/9/15	514428GCA - RELEASED OFHA0002ZXJB FYUE		