

8

7

6

5

4

3

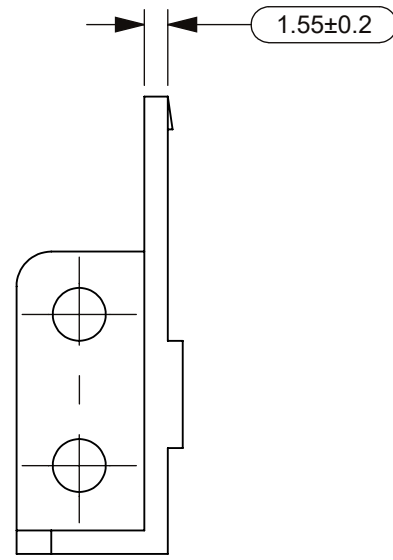
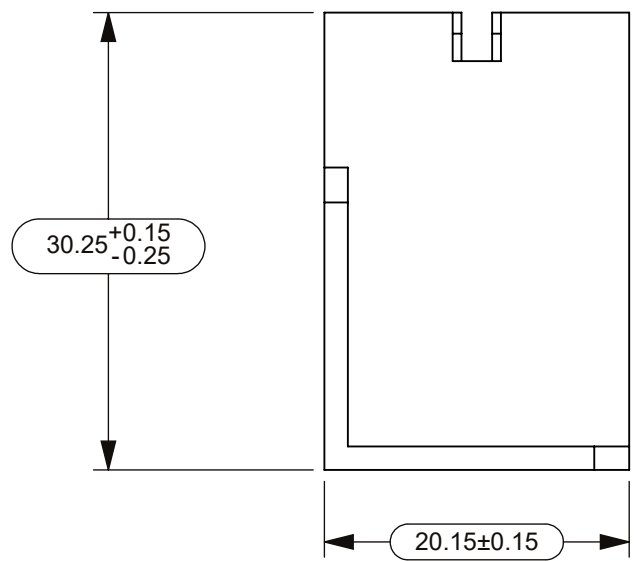
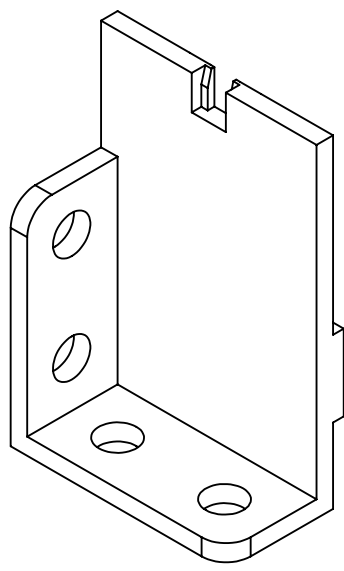
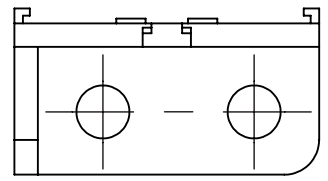
2

1

THIS DRAWING AND THE INFORMATION CONTAINED WITHIN IT ARE CONFIDENTIAL AND MAY NOT BE COPIED OR DISCLOSED WITHOUT THE WRITTEN PERMISSION OF LITTELFUSE.

| REVISIONS | | | | |
|-----------|------|---------------------------------------|----------|----------|
| ZONE | REV. | DESCRIPTION | DATE | APPROVED |
| | A | PCO #5300036. INITIAL RELEASE. DSILVA | 3/7/2022 | L.ARGIL. |

| ART. NR. | DESCRIPTION | NOTE |
|---------------|-------------------------|------|
| 178.6192.000_ | ADAPTER FKH-HOLDER LEFT | - |



NOTES:
1. MATERIAL: PET, COLOR BLACK

| NO. | COMPONENT NO. | COMPONENT NAME | QTY | U |
|--|---------------|----------------|------------|-------------|
| TOLERANCES UNLESS OTHERWISE SPECIFIED (REF. ISO 2768-FH) | | | | |
| .5 to 3 | >3 to 6 | >6 to 30 | >30 to 120 | >120 to 400 |
| ±0.05 | ±0.05 | ±0.1 | ±0.15 | ±0.2 |
| | | | | ANGLE |
| | | | | NONE |

DIMENSIONS ARE SHOWN IN MILLIMETERS.
UNLESS OTHERWISE SPECIFIED, DIMENSIONS DO NOT INCLUDE PLATING.

| | |
|-----|---|
| ● | FIT/ FUNCTION CRITICAL CHARACTERISTICS |
| <S> | SAFETY/ COMPLIANCE CRITICAL CHARACTERISTICS SYMBOL |
| CPK | DENOTES CPK DIMENSIONS MINIMUM CPK VALUE |
| ST | DENOTES A CHARACTERISTIC THAT PROVIDES AN INDICATION OF PROCESS PERFORMANCE. PROCEDURE FOR MEASUREMENT AND TRACKING TO BE DEFINED IN LITTELFUSE INSPECTION INSTRUCTIONS |
| CP | DENOTES CP DIMENSIONS. -MINIMUM CP VALUE MUST BE WITHIN THE DIMENSIONAL LIMITATIONS SHOWN ON DRAWING AND INITIALLY LOCATED TO ALLOW FOR MAXIMUM TOOL LIFE |

| | | |
|------------------------------|-----------|--|
| NAME | DATE | <p>Littelfuse Expertise Applied Answers Delivered</p> |
| DRAWN DSILVA | 1/14/2022 | |
| CHECKED - | - | TITLE ADAPTER FOR FKH-HOLDER LEFT |
| - | - | |
| FORM NO: CVP-PE40-0003 REV B | | SIZE B |
| THIRD ANGLE PROJECTION | | |
| DO NOT SCALE DRAWING | SCALE 2:1 | DWG. NO. OUTLINE OL-178.6192.0000 |
| | | REV. A |
| SHEET 1 OF 1 | | |

8

7

6

5

4

3

2

1