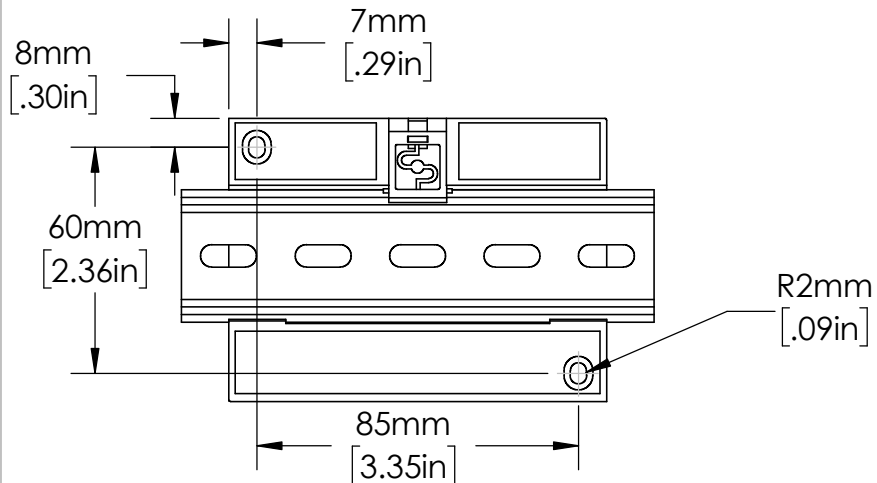
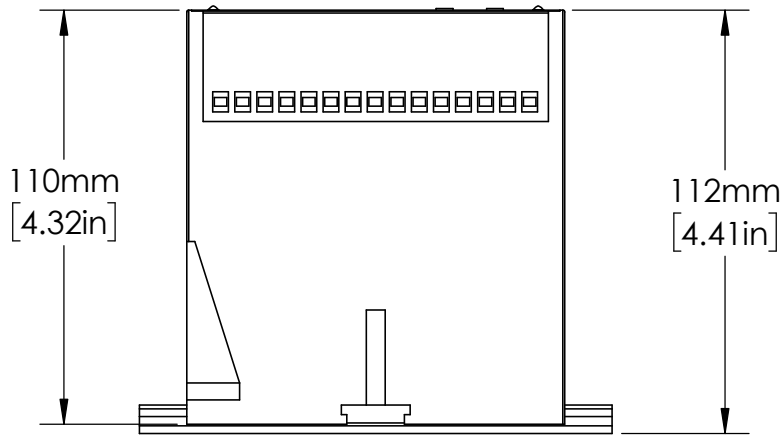
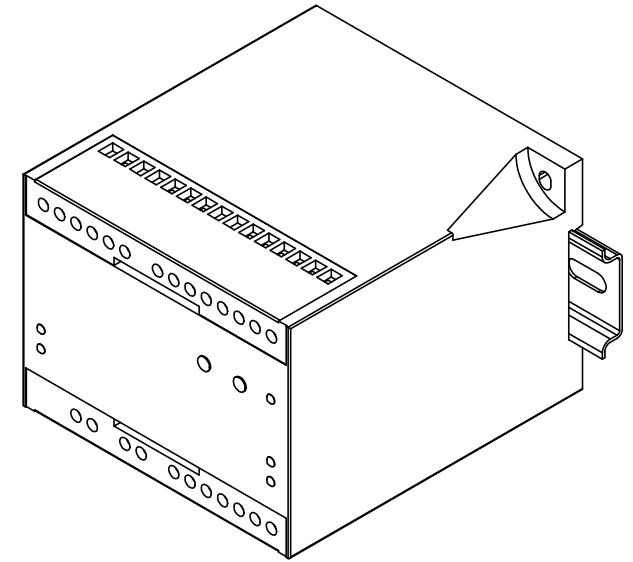


EN550022 (35.0 x 7.5mm)  
DIN RAIL SHOWN



UNLESS NOTED OTHERWISE  
DIMENSIONS ARE IN INCHES  
TOLERANCES:  
TWO PLACE DECIMAL ±0.05  
NOT DRAWN TO SCALE

MATERIAL	
NAME	DATE
DRAWN BY J.MOLER	11/18/22



DESCRIPTION: INSULATION MONITORING	
PART NUMBER: PGR-3200 SERIES	REV A
WEIGHT:	SHEET 1 OF 1