

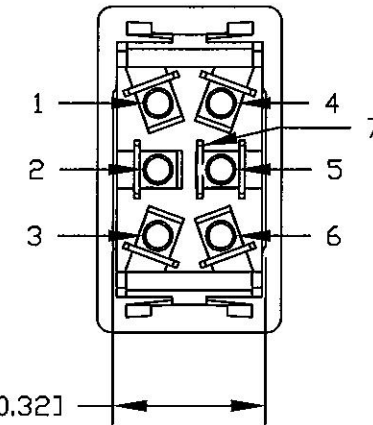
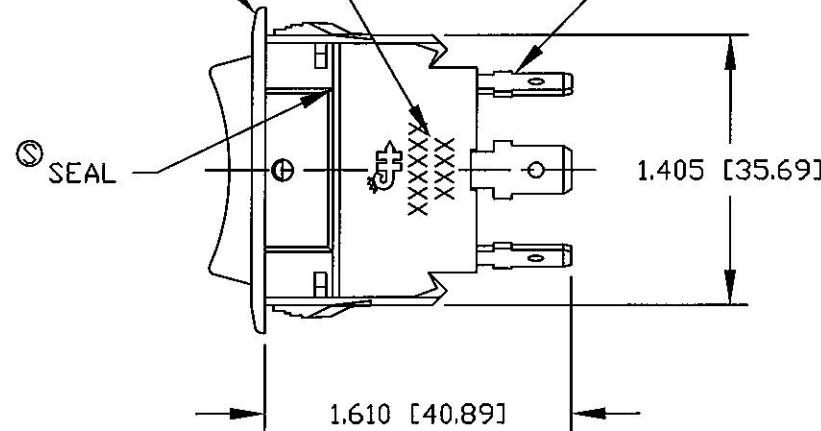
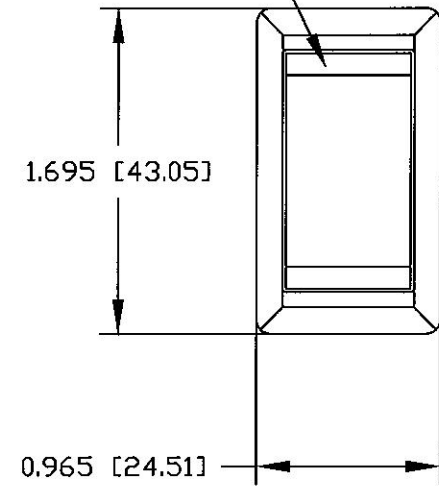
CHART

ROCKER: PLASTIC,
COLOR CHARTED
Ⓢ MATTE FINISH

INK STAMP COLE HERSEE LOGO,
PART NUMBER & DATE CODE

Ⓢ BEZEL: PLASTIC, BLACK
MATTE FINISH

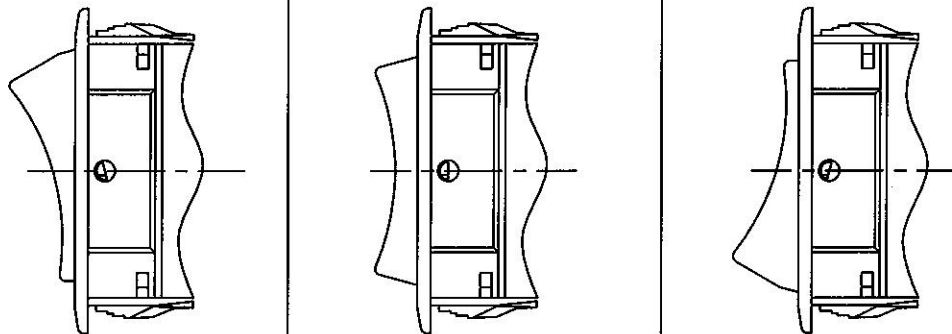
TERMINALS, MALE BLADE, 0.250 [6.35] WIDE



Revision Control Record			
Rev.	Description of Change	ECN No.	Date
S	NOTE CHANGE	01132	2/28/01
T	NOTE CHANGE	01228	4/17/01
U	NOTE CHANGE	09378	07/30/09

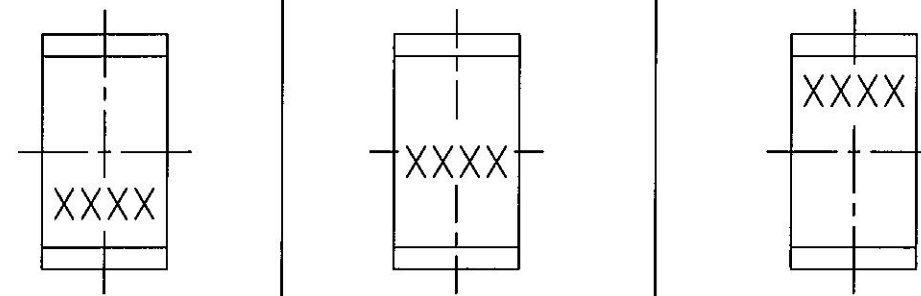
- Ⓢ NOTES:
- ALL DIMENSIONS ARE REFERENCES ONLY
 - CONTACTS RATING
25 AMPS @ 12V DC
15 AMPS @ 24V DC
 - 58027-17 ACTUATING FORCE TO BE APPROX. 12 IN/OZ [3.3N]
 - SILVER CONTACTS

ROCKER POSITIONS



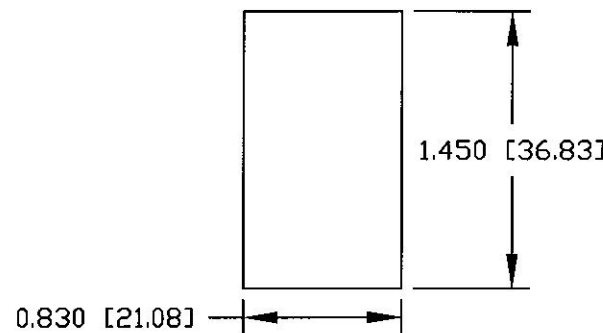
POSITION A POSITION B POSITION C

IMPRINTING LOCATION



LOCATION D LOCATION E LOCATION F

MOUNTING HOLE DETAIL



ROCKER COLORS

BLACK

IMPRINT COLORS

WHITE

Tolerances Unless otherwise specifically noted, the following are default tolerances:
 * 2-place Decimal Dimensions +/- .02"
 * 3-place Decimal Dimensions +/- .005"
 * Angular Dimensions +/- 1.0 Deg.
 * Metric: Refer to equivalent English Dimension Tolerance
 >>> NOTE: All tolerances are Non-Cumulative. <<<

Dimensional Units All dimensions are expressed in inches except those shown in brackets (xxx) are expressed in millimeters

"REF." or an Asterisk (*) = Non-Toleranced Reference Dimension, shown for clarification purposes only.

PROPRIETARY INFORMATION This Engineering Drawing, and the information contained herein, is proprietary to Cole Hersee Company and may not be disclosed, re-produced, or in any other way transferred or communicated to any other party without the express written consent of an authorized representative of Cole Hersee Company.

DESIGN CONTROL It is the responsibility of the individual using/ referencing this drawing to assure that the noted design revision level agrees with the revision level of the Controlled Document (Master Drawing). This is a NON-CONTROLLED DOCUMENT unless otherwise specifically noted.

DO NOT SCALE - Dimensional variation may occur during printing/ reproduction.

Key for Special Characteristics:

- Ⓢ Critical Characteristic, relating to Safety and/or Regulatory Compliance
- X Significant Characteristic relating to Process Control (SPC)
- Ⓢ Control Dimension relating to Form - Fit - Function as defined by Cole Hersee Company and/or the Customer

(Note that the Identification of any Characteristics as being "Special" does not alter the requirement that ALL specified dimensions & tolerances must be met.)

Cole Hersee Co.
 20 Old Colony Ave., South Boston, MA, 02127
 Phn: 617-268-2100 Web: www.colehersee.com

ROCKER SWITCH

Description:
 Drawing / Part No.: **58027** Current Rev. **U**