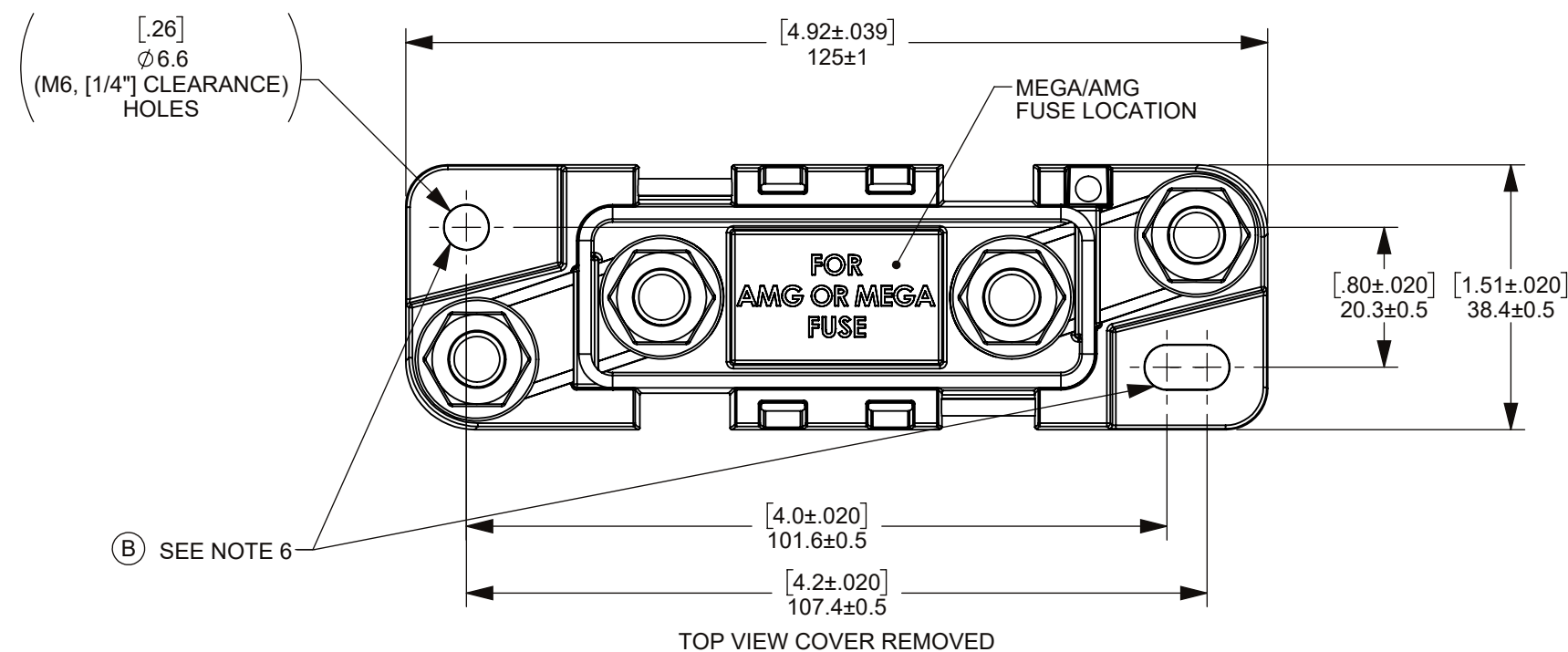
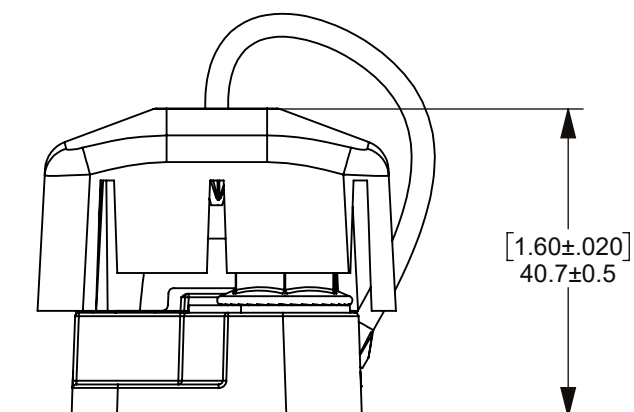
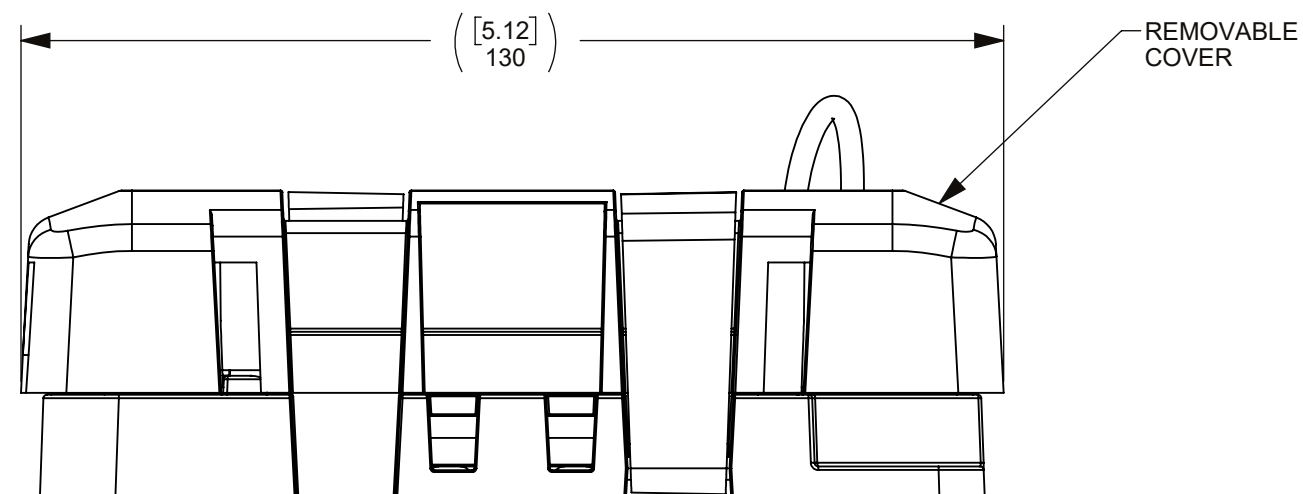
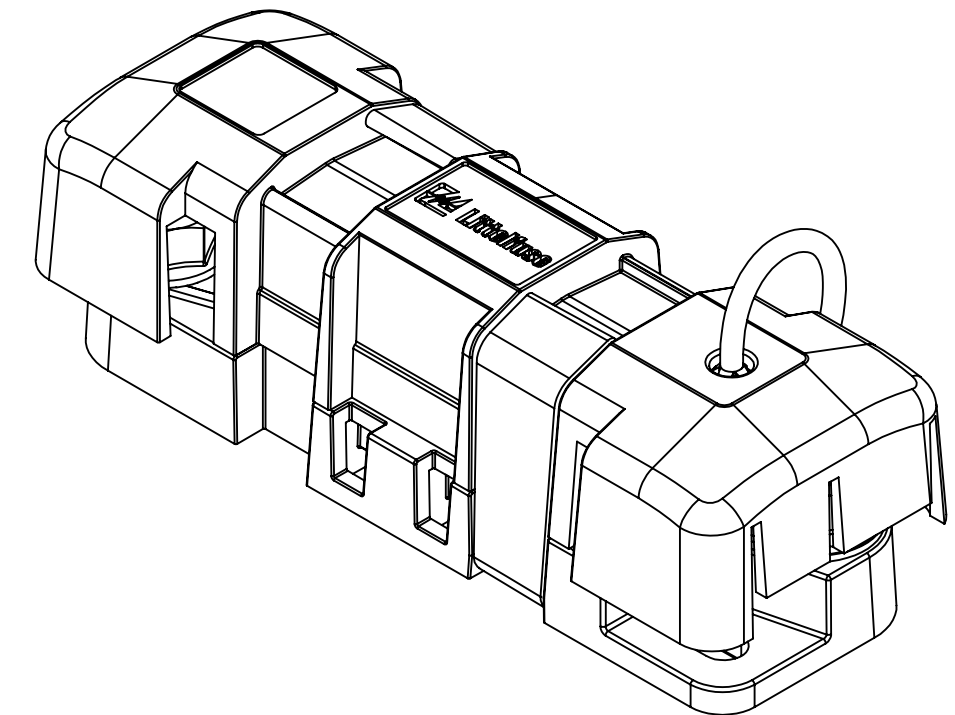
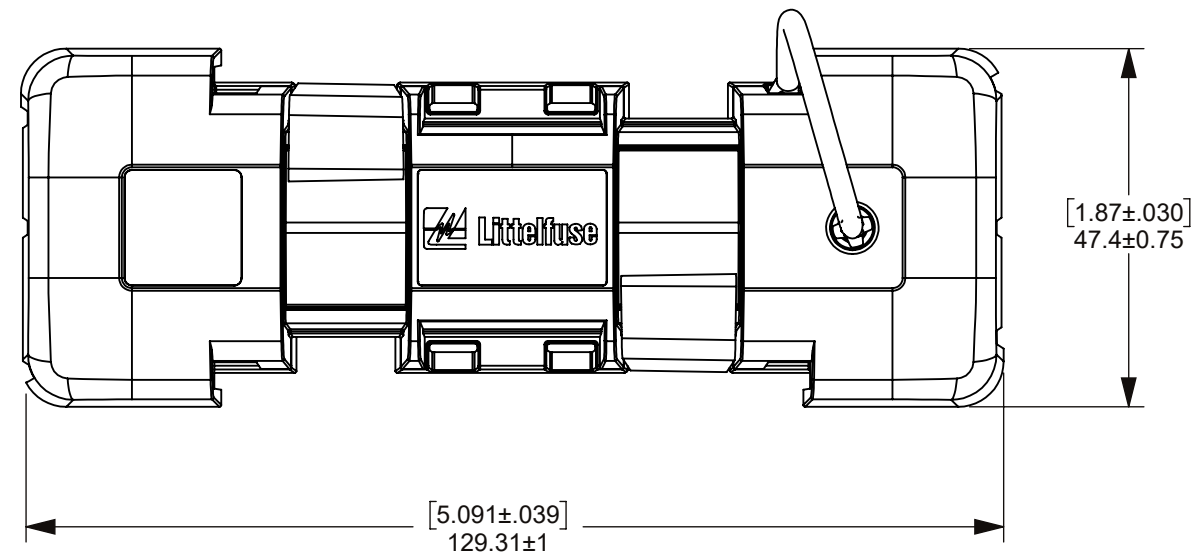


REVISIONS				
ZONE	REV.	DESCRIPTION	DATE	APPROVED
	A	PER EC# 50000009472: INITIAL RELEASE	9/13/2013	V.BELOUS
	B	EC# 523207: ADD NOTE 6 AND 7	1/7/2021	L. ARGIL

NOTES: (UNLESS OTHERWISE SPECIFIED)

1. ASSOCIATED CAD FILE DEFINES ALL NONDIMENSIONED FEATURES.
2. PRODUCT WEIGHT: 0.18kg (0.4Lb)
3. RECOMMENDED STUD TORQUE: 20Nm (15Lb-ft)
4. MAXIMUM STUD TORQUE: 30 Nm (22Lb-ft)
5. CONSULT LITTELFUSE FOR CUSTOM FUSE LOADING VARIATIONS.
6. MOUNTING TORQUE FOR M6 HOLES: 5-8 N-m (3.7-5.9 lb-ft)
7. IMPORTANT!- WHEN ATTACHING CABLES TO THE CONNECTION STUDS, THE RING TERMINAL MUST MAKE FIRM ELECTRICAL CONTACT WITH THE SURFACE OF THE BUS BAR. THE BUS BAR IS THE MAIN ELECTRICAL CONDUCTOR, AND THE STUDS AS WELL AS THE HEX NUTS ARE USED ONLY TO KEEP A FIRM ELECTRICAL CONNECTION. MAKE SURE THAT BOTH, BUS BARS AND RING TERMINAL ARE CLEAN AND FREE OF ANY CONTAMINATION.



DIMENSIONS ARE SHOWN IN MILLIMETERS. DIMENSIONS AND TOLERANCES ARE DEFINED ACCORDING TO ANSI/ASME Y14.5-1994.	
●	FIT FUNCTION CRITICAL CHARACTERISTICS SYMBOL
<S>	SAFETY/ COMPLIANCE CRITICAL CHARACTERISTICS SYMBOL
CPK	DENOTES CPK DIMENSIONS MINIMUM CPK VALUE
(ST)	DENOTES A CHARACTERISTIC THAT PROVIDES AN INDICATION OF PROCESS PERFORMANCE PROCEDURE FOR MEASUREMENT AND TRACKING TO BE DEFINED IN LITTELFUSE INSPECTION INSTRUCTIONS
CP	DENOTES CP DIMENSIONS - MINIMUM CP VALUE MUST BE WITHIN THE DIMENSIONAL LIMITATIONS SHOWN ON DRAWING AND INITIALLY LOCATED TO ALLOW FOR MAXIMUM TOOL LIFE
DIMENSION: MM TOLERANCES UNLESS OTHERWISE SPECIFIED ONE PLACE DECIMAL ± 0.5      THREE PLACES DECIMAL ± 0.100 TWO PLACES DECIMAL ± 0.20      ANGULAR ± 2°	
NAME	DATE
DRAWN V.BELOUS	9/13/2013
CHECKED -	-
<b>Littelfuse</b> Expertise Applied   Answers Delivered	
FORM NO: CVP-PE40-0006 REV A	
THIRD ANGLE PROJECTION	
SIZE C	DWG. NO. OL-880014
DO NOT SCALE DRAWING	SCALE 1:1
SHEET 1 OF 1	