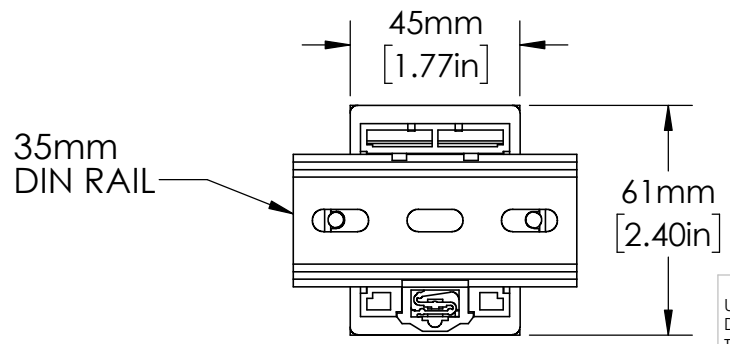


OT11PC
RELAY SOCKET



UNLESS NOTED OTHERWISE
DIMENSIONS ARE IN INCHES
TOLERANCES:
TWO PLACE DECIMAL ±0.05
NOT DRAWN TO SCALE

MATERIAL	
NAME	DATE
DRAWN BY J.MOLER 03/17/23	



DESCRIPTION: MALFUNCTION TIME DELAY	
PART NUMBER: TRDU SERIES	REV A
WEIGHT:	SHEET 1 OF 1