

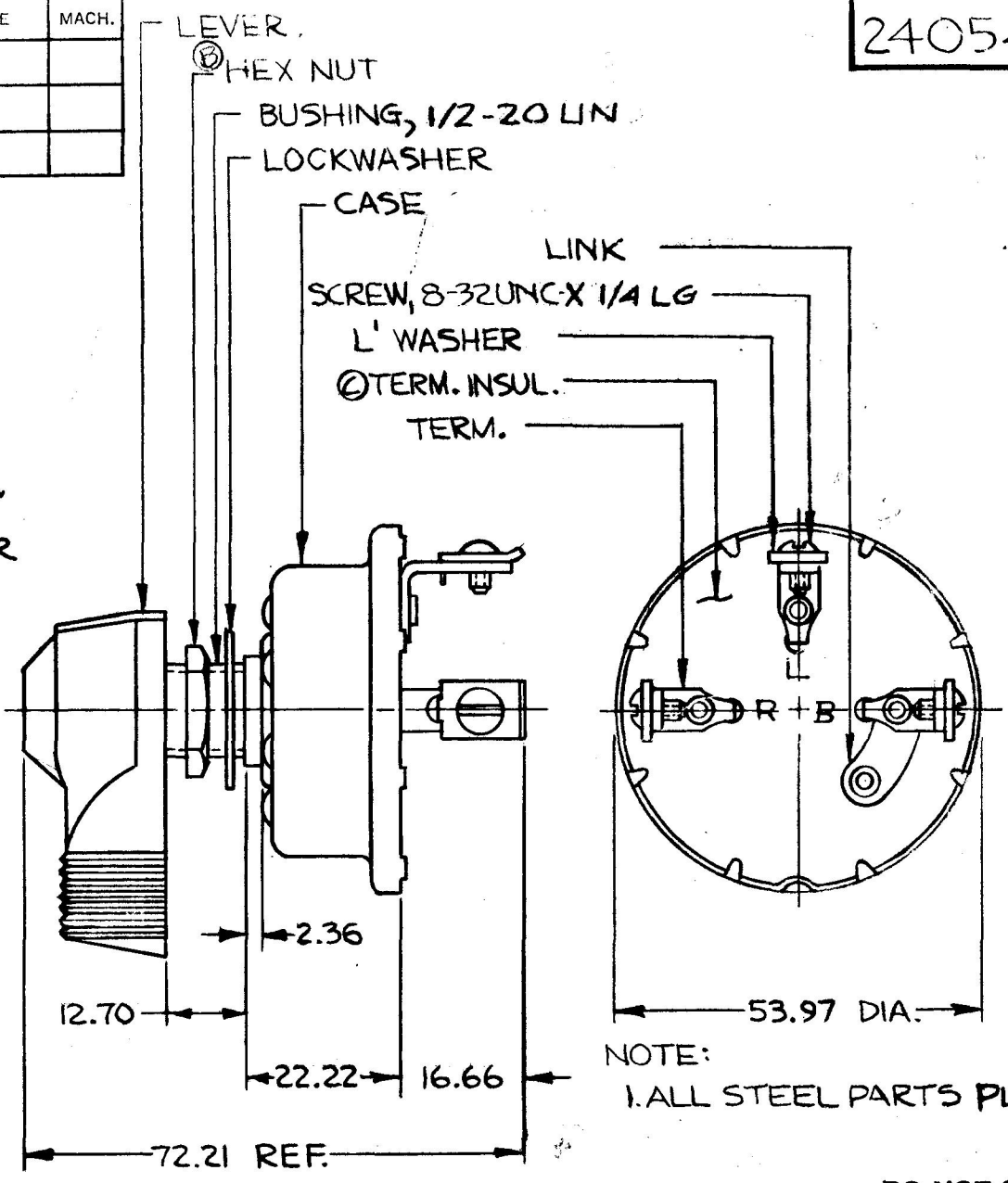
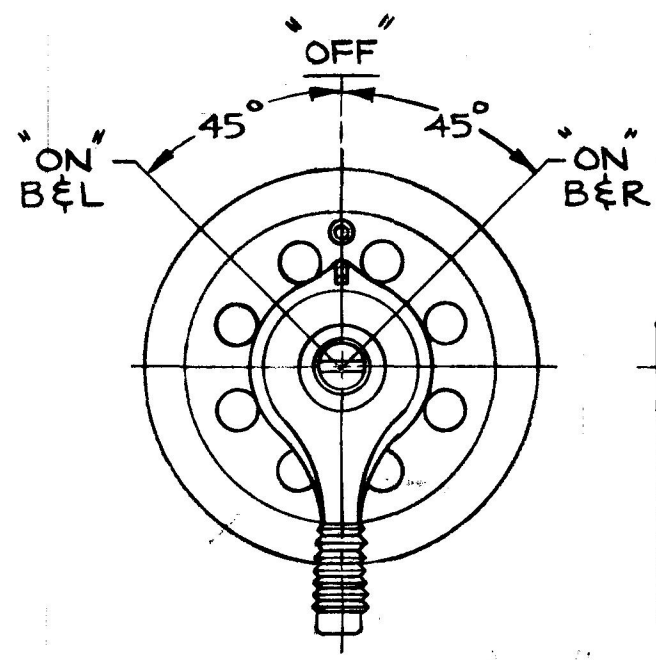
MM.	IN.
0.25	.010
2.36	.093
2.70	.500
16.66	.656
22.22	.875
53.97	2.125
72.21	2.843

KEY OPER.
9554

COLE-HERSEE CO.

SEQ.	DEPT.	OPERATING INSTRUCTIONS	DIE	MACH.

24054



METRIC

DO NOT SCALE

LET	WAS	DATE	BY	LET	WAS	DATE	BY	MATERIAL	DRAWN	CHECKED	APPRV'D.	SCALE	DATE DRAWN
									PB	5-16-78		1=1	5-14-56
								FINISH	COLE-HERSEE COMPANY BOSTON, MASS. 02127, U.S.A.				DATE BLUEPRINT
								TOLERANCES					THREE POSITION ROTARY LEVER SWITCH
								FRACTIONAL ±					
								DECIMAL ±					

SPAULDING CO., INC.