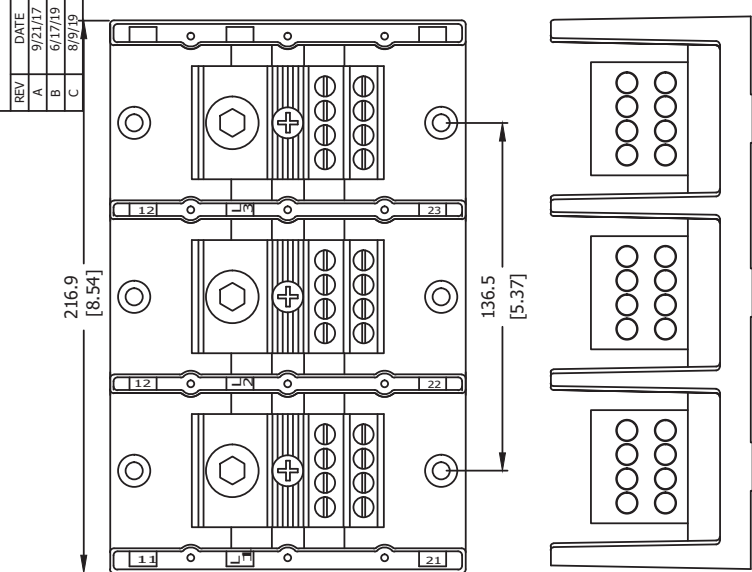
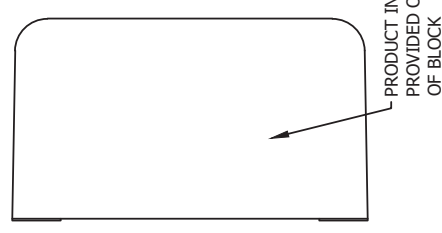
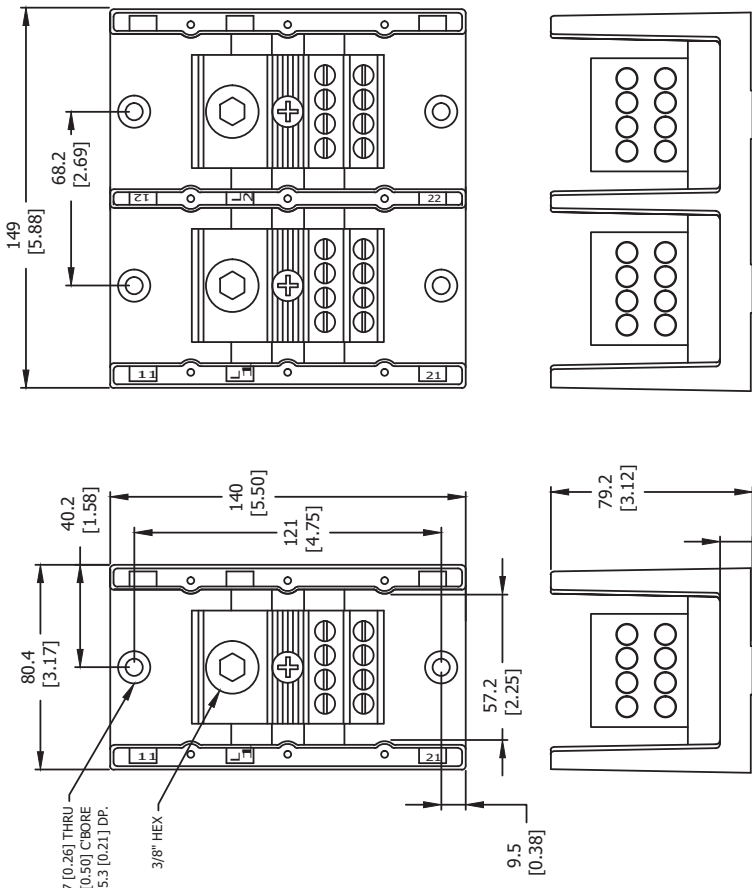


REV	DATE	DESCRIPTION
A	9/21/17	518212GCP - RELEASE MRY
B	6/17/19	520866CP/D - ADD LABEL DETAIL MRY
C	8/9/19	521057ECP/D - CHG MOUNTING HOLE DIMENSIONS MRY



0LD55941Z

0LD55942Z

0LD55943Z

SPECIFICATIONS:

AGENCY INFORMATION:
 UL RECOGNIZED (FILE E171395)
 CSA CERTIFIED (FILE LR700111)

MATERIALS:
 GENERAL PURPOSE PHENOLIC PER ASTM D700-57T
 TEMPERATURE RATING 150°C (302°F)
 CONNECTOR: ALUMINUM; TIN PLATED

TERMINATION:
 LINE = (1) 500MCM-4 AWG
 LOAD = (8) #2-14 AWG

AMP RATING PER POLE: 380A Cu, 310A Al
 BASED ON NEC TABLE 310-16, 75°C WIRE

PART NUMBER (VARIES)



UPC CODE (VARIES)

VOLTAGE RATING: 600V

TORQUE:

- LINE: 500MCM-4 AWG 42.4 Nm (375 LB-IN)
- LOAD: #2 AWG 5.6 Nm (50 LB-IN)
- #4-6 AWG 5.1 Nm (45 LB-IN)
- #8 AWG 4.5 Nm (40 LB-IN)
- #10-14 AWG 4 Nm (35 LB-IN)

PRODUCT LABEL DETAIL

TOLERANCE (UNLESS OTHERWISE SPECIFIED):
 2 PLACE ± 0.76 [0.03]
 3 PLACE ± 0.38 [0.015]

●	DEVOTES CRITICAL CHARACTERISTICS.		
CPK	DEVOTES CPK DIMENSIONS, -MINIMUM CPK VALUE		
(ST)	DEVOTES A CHARACTERISTIC THAT PROVIDES AN INDICATION OF PROCESS PERFORMANCE. PROCEDURE FOR MEASUREMENT AND TRACKING TO BE DEFINED IN LITTELFUSE INSPECTION INSTRUCTIONS.		
CP	DEVOTES CP DIMENSIONS, -MINIMUM CP VALUE MUST BE WITHIN THE DIMENSIONAL LIMITATIONS SHOWN ON DRAWING AND INITIALLY LOCATED TO ALLOW FOR MAXIMUM TOOL LIFE.		
MATL SPEC	FINISH		
DRW	DATE	SCALE	FINISH GOOD WT
INT/CHK	9/7/17	N/T	GRAMS/PIECE

UNLESS OTHERWISE SPECIFIED, DIMENSIONS ARE IN MILLIMETERS, DIMENSIONS IN BRACKETS [] ARE INCHES DIMENSIONING AND DO NOT INCLUDE PLATING. TOLERANCING TO BE INTERPRETED IN ACCORDANCE WITH ANSI Y14.5M-1994



TITLE

0LD5594 SERIES DISTRIBUTION BLOCK OUTLINE

