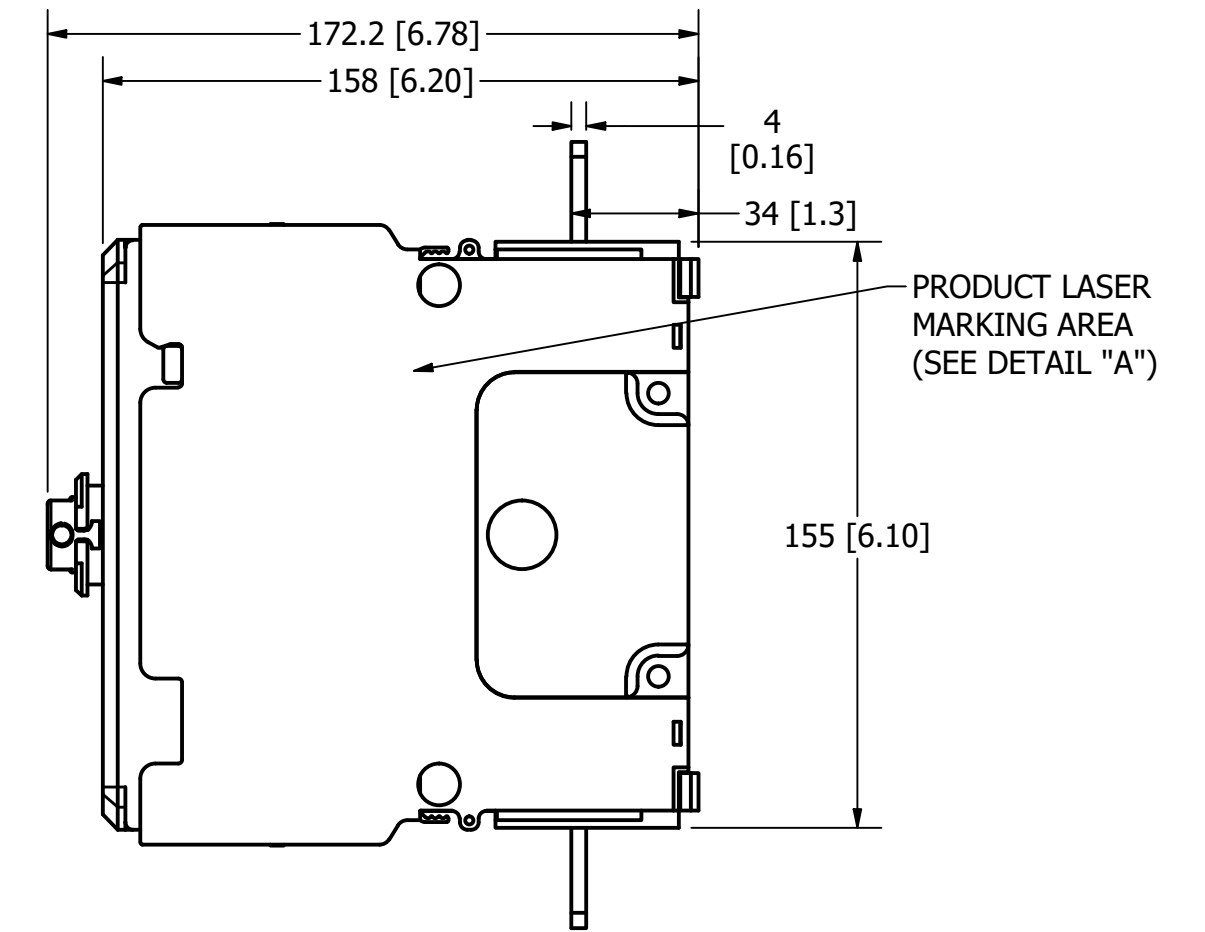
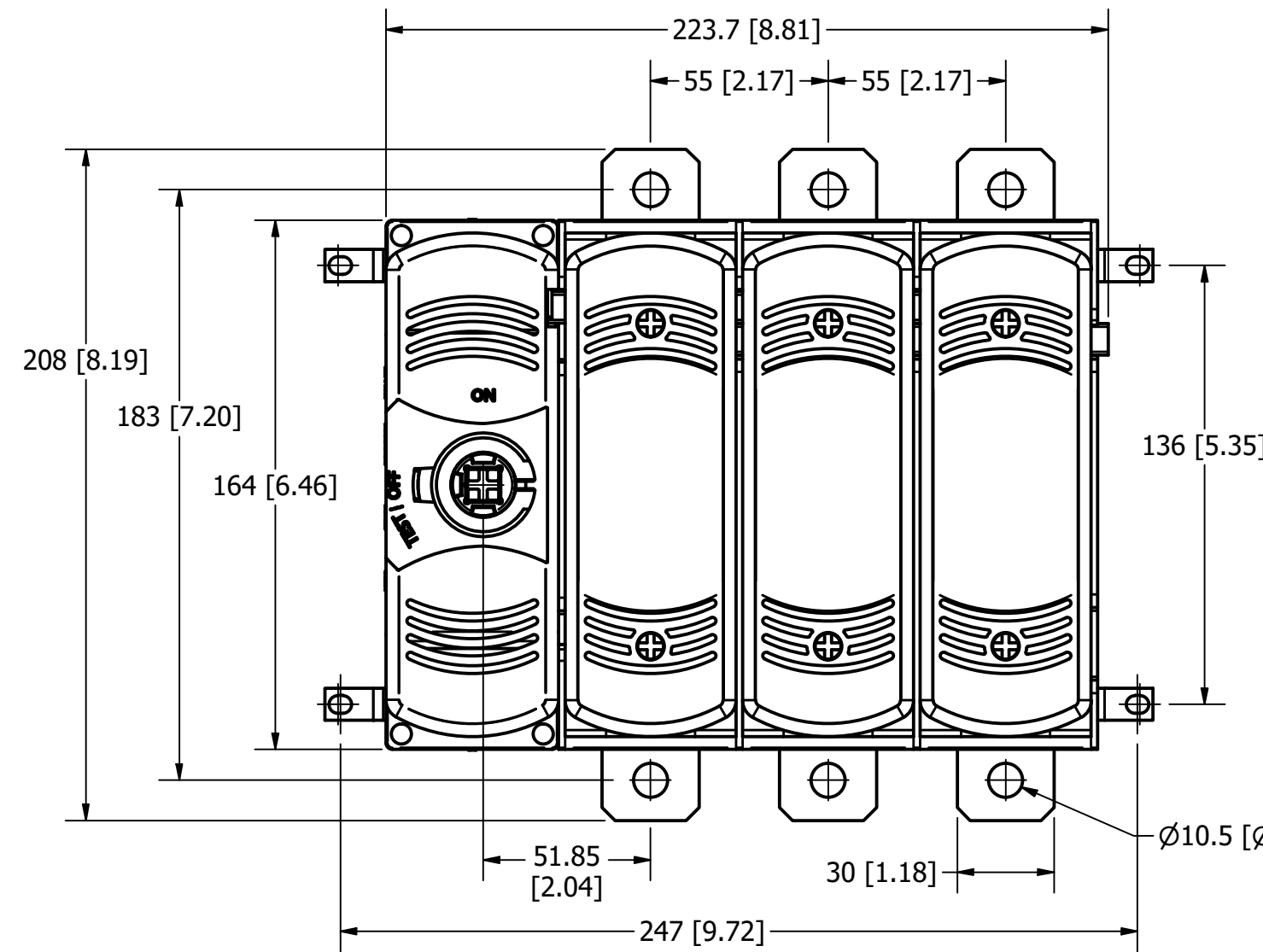
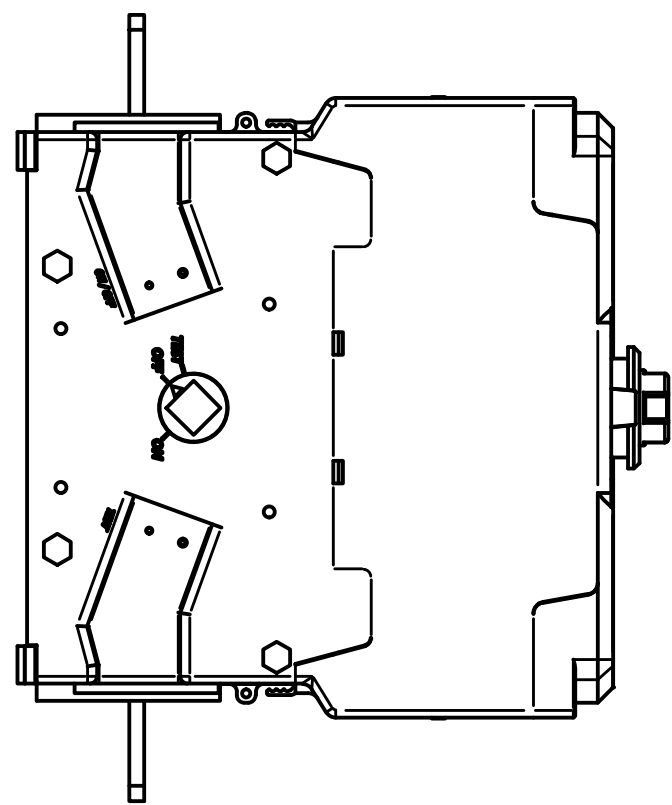
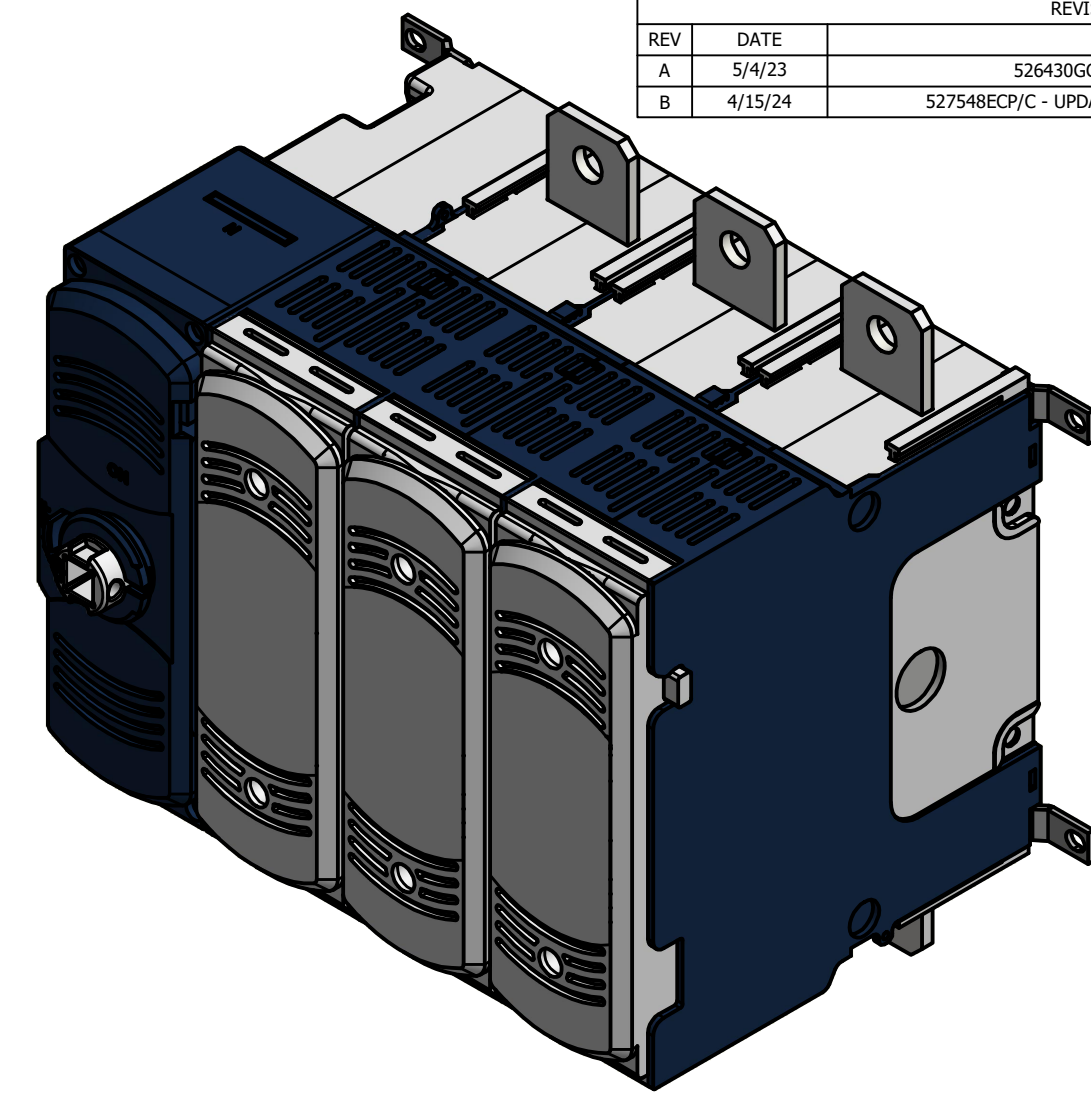
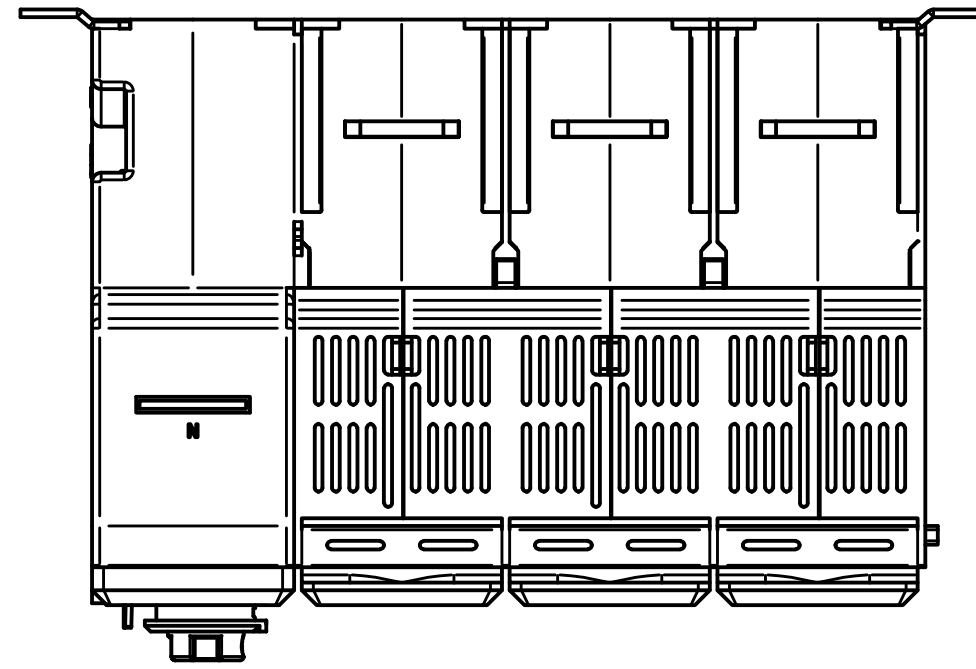


PART NUMBER	UPC CODE
LM32003PJ	07945831083

REVISION		
REV	DATE	DESCRIPTION
A	5/4/23	526430GCP - RELEASE PER EM3380 MRY
B	4/15/24	527548ECP/C - UPDATE WIRE RANGE IN SIDE PRINTING MRY



**LM32003PJ**  
 L: 0123456789; NS: 01234  
 UL 98  
 600Vac 200A 50/60Hz  
 General purpose switch  
**Use Cu wire only**  
 75°C 3/0AWG - 300MCM Wire  
 Terminal Torque 159 LB.IN.  
 With KIT Terminal Lugs LDM3TLU11  
 Motor-Circuit Switch

3 Ø	Vac	240	480	600
MAX	HP	50	100	125
STD	HP	25	50	60



Suitable for use on a circuit capable of delivering not more than 200kA R.M.S symmetrical, 600V max. Use class J fuses.

Max. fuse size **200A**

The starting current of motors of more than the standard horsepower ratings may require the use of fuses with appropriate time-delay characteristics.

Continuous load current not to exceed 80 percent of the rating of the fuses employed in other than motor circuits.

Not for use as a motor controller.

Use accessories according to instructions: 45672011

MADE IN SPAIN

DETAIL "A"  
SIDE PRINTING

1	NO	COMPONENT NO	DESCRIPTION	QTY/M	U/M
<b>BILL OF MATERIAL</b>					
<S>	CRITICAL CHARACTERISTIC FOR PART SAFETY/COMPLIANCE				
●	DENOTES CRITICAL CHARACTERISTICS.				
CPK	DENOTES CPK DIMENSIONS, -MINIMUM CPK VALUE				
(ST)	DENOTES A CHARACTERISTIC THAT PROVIDES AN INDICATION OF PROCESS PERFORMANCE. PROCEDURE FOR MEASUREMENT AND TRACKING TO BE DEFINED IN LITTELFUSE INSPECTION INSTRUCTIONS.				
CP	DENOTES CP DIMENSIONS, -MINIMUM CP VALUE MUST BE WITHIN THE DIMENSIONAL LIMITATIONS SHOWN ON DRAWING AND INITIALLY LOCATED TO ALLOW FOR MAXIMUM TOOL LIFE. <span style="float: right;">C</span>				
MATL SPEC			FINISH		
DRW myork	DATE	SCALE	FINISH GOOD WT		
	1/5/2023	NTS	GRAMS/PIECE		
UNLESS OTHERWISE SPECIFIED, DIMENSIONS ARE IN MILLIMETERS, DIMENSIONS IN BRACKETS [ ] ARE INCHES DIMENSIONING AND DO NOT INCLUDE PLATING. TOLERANCING TO BE INTERPRETED IN ACCORDANCE WITH ANSI Y14.5M-1994					
3RD ANGLE PROJECTION					
<b>TITLE</b> CLASS J 200A DISCONNECT 3P OUTLINE					
CHICAGO, ILLINOIS 60631			REVISION	DRWG NO.	SHEET 1 OF 1
			B	OL-LM32003PJ	