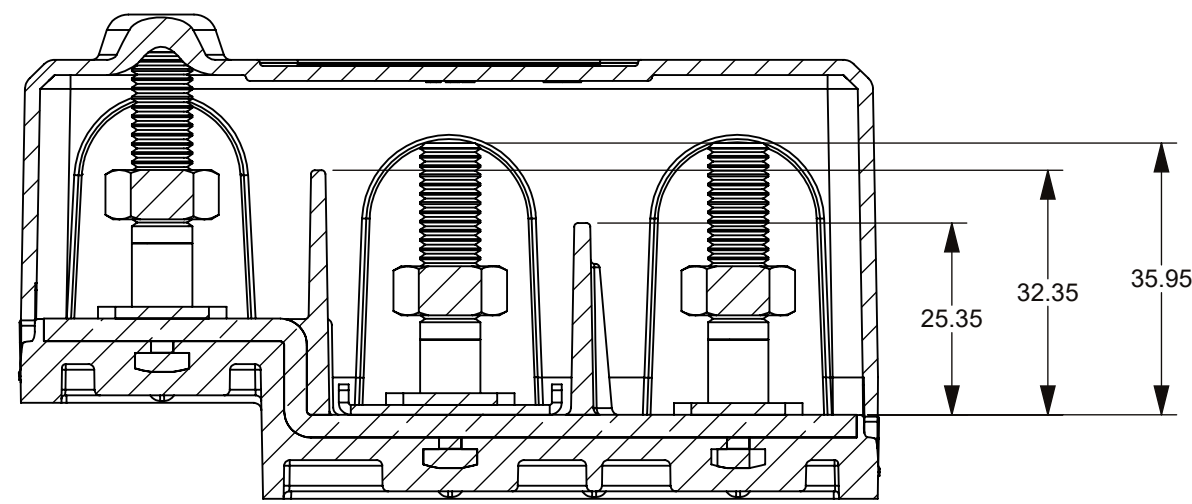
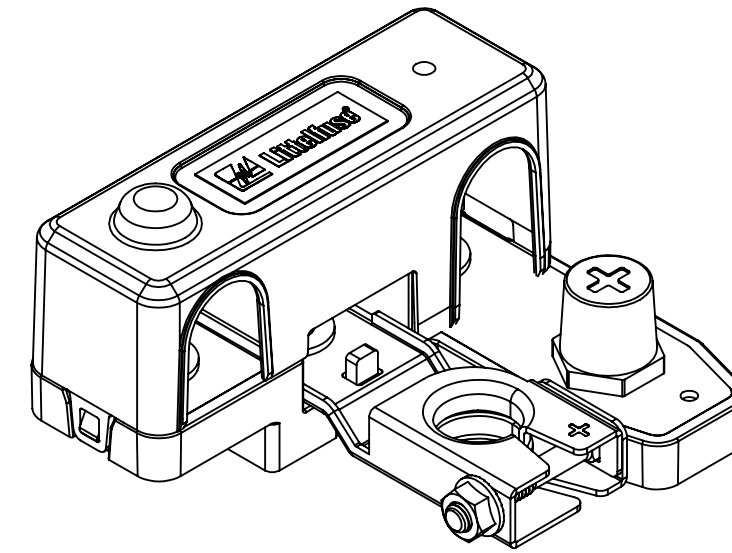


REVISIONS				
ZONE	REV.	DESCRIPTION	DATE	APPROVED
	A	GCF 523452 - INITIAL RELEASE	3/9/2021	R. OLSZEWSKI

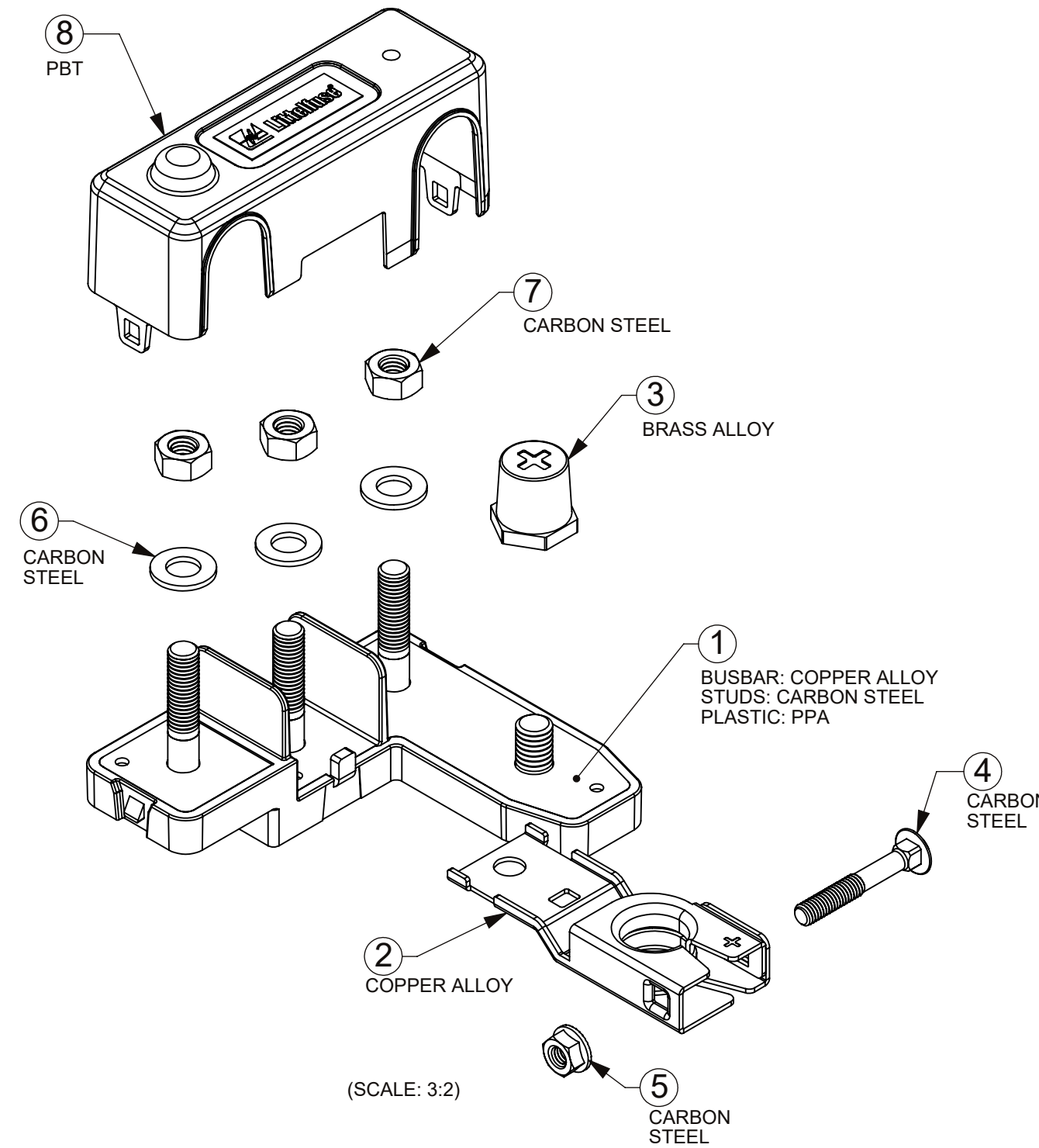
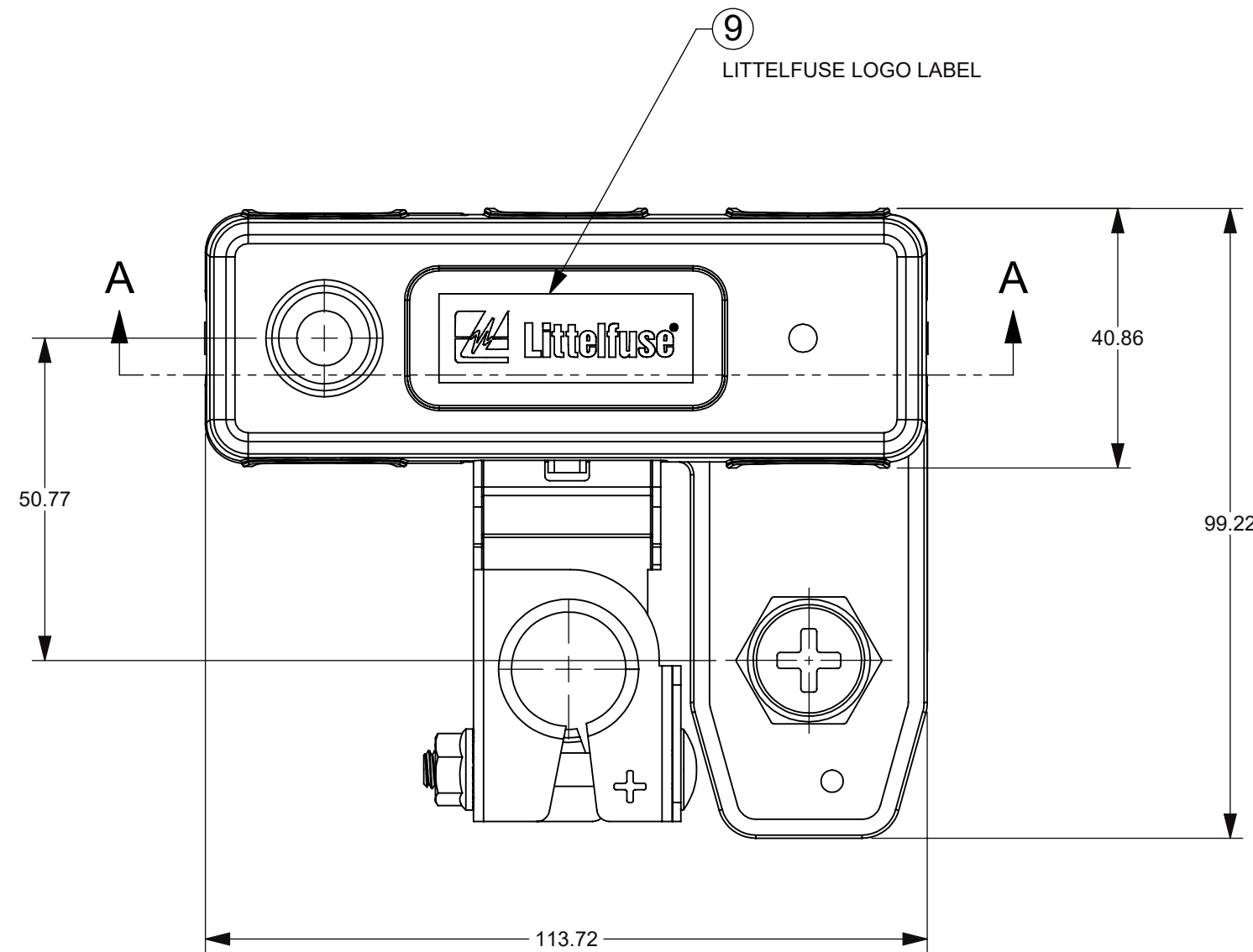


SECTION A-A



(SCALE: 3:2)

- NOTES:
- MATERIAL:
BASE: PPA-GF30, UL94 V-0
COVER: PBT, UL94 V-0
 - MAX CONTINUOUS CURRENT: 600A @ -50°C TEMP RISE
 - MAX VOLTAGE: 32V
 - MOUNTING TORQUE WITH M8 NUT: 14 ± 2 N-m (10.3 \pm 1.5 FT-LBS)
 - BATTERY TERMINAL TORQUE WITH M6 NUT: 5.4 ± 0.9 N-m (4.0 \pm 0.7 FT-LBS) @ 540 RPM
 - BATTERY ADAPTER TORQUE: 16 ± 2 N-m (11.8 \pm 1.5 FT-LBS)
 - TRACEABILITY LABEL:
LITTELFUSE P/N: FHZ310
SERIAL #: REVISION LETTER/FHZ310-MONTH/YEAR



(SCALE: 3:2)

NO.	COMPONENT NAME	QTY	U
10	3 POS TRACEABILITY LABEL, MKT	1	EA
9	LF LABEL	1	EA
8	3 POS TOP COVER	1	EA
7	NUT, M8x1.25, HEX	3	EA
6	WASHER, M8, FLAT	3	EA
5	NUT, M6x1.0, SERRATED FLANGE	1	EA
4	BOLT, M6x1.0, CUP HEAD SQUARE NECK	1	EA
3	POSITIVE CHARGING CABLE ADAPTER	1	EA
2	POSTIVE TOP POST BATTERY TERMINAL	1	EA
1	3 POS FH BASE SA	1	EA

DIMENSIONS ARE SHOWN IN MILLIMETERS; DIMENSIONS AND TOLERANCES ARE DEFINED ACCORDING TO ANSI/ASME Y14.5-1994.

● FIT FUNCTION CRITICAL CHARACTERISTICS SYMBOL

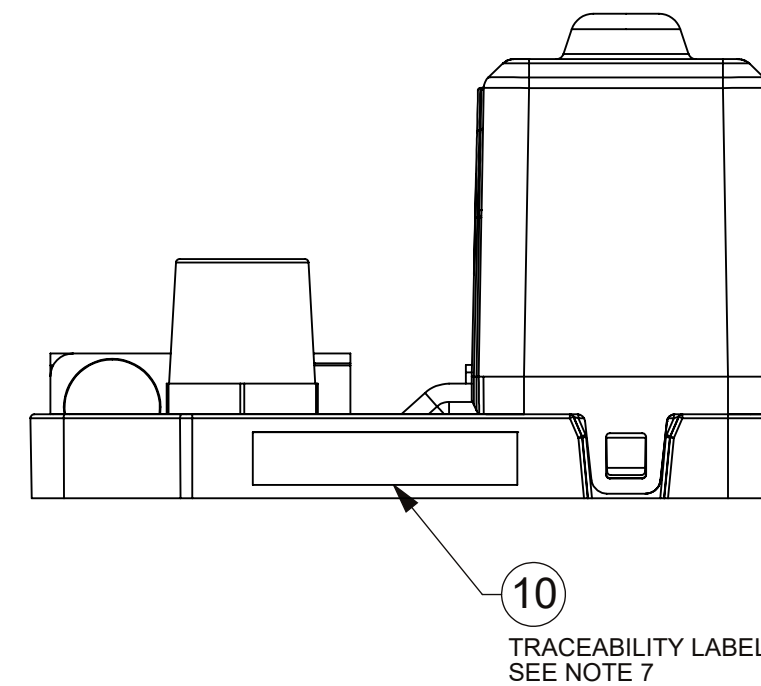
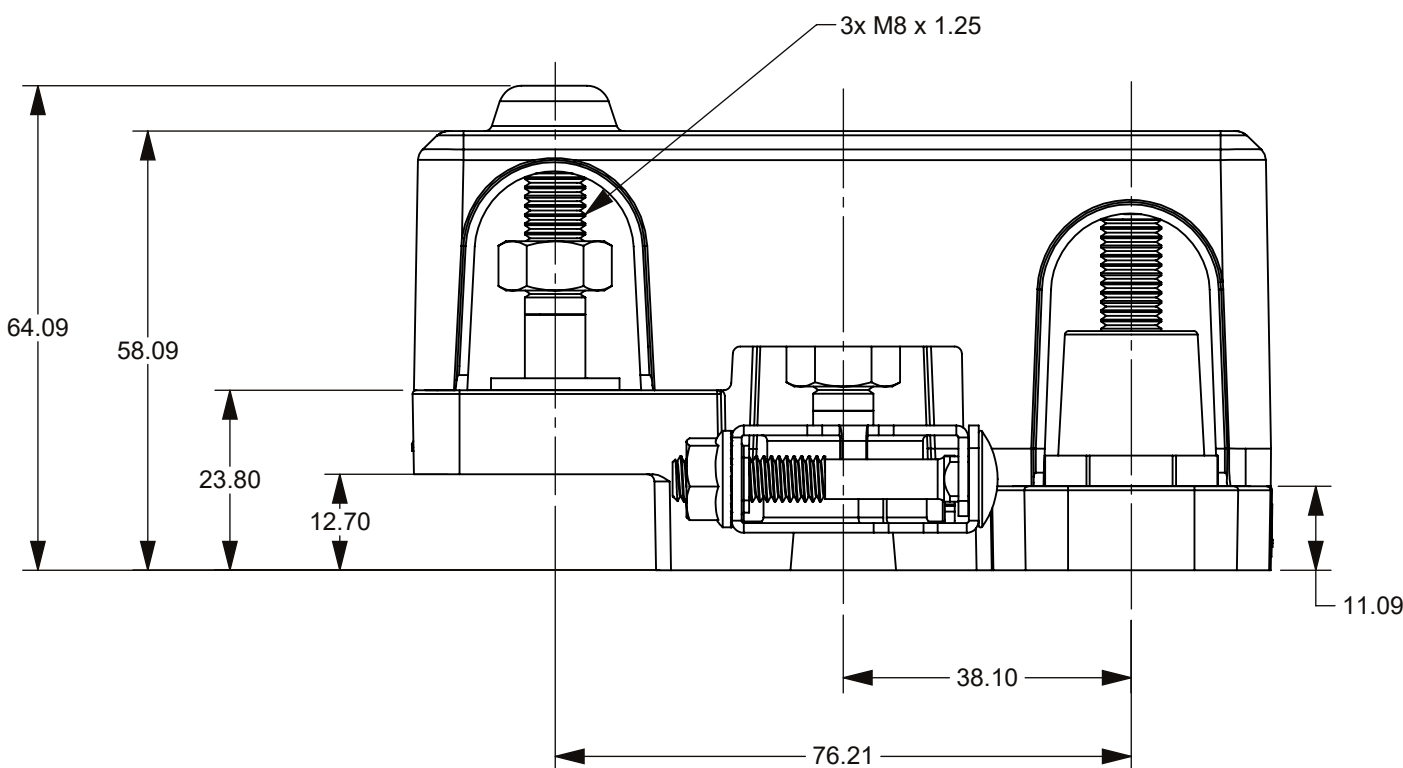
<S> SAFETY/ COMPLIANCE CRITICAL CHARACTERISTICS SYMBOL

CPK DENOTES CPK DIMENSIONS MINIMUM CPK VALUE

(ST) DENOTES A CHARACTERISTIC THAT PROVIDES AN INDICATION OF PROCESS PERFORMANCE PROCEDURE FOR MEASUREMENT AND TRACKING TO BE DEFINED IN LITTELFUSE INSPECTION INSTRUCTIONS

CP DENOTES CP DIMENSIONS - MINIMUM CP VALUE MUST BE WITHIN THE DIMENSIONAL LIMITATIONS SHOWN ON DRAWING AND INITIALLY LOCATED TO ALLOW FOR MAXIMUM TOOL LIFE

DIMENSION: MM TOLERANCES UNLESS OTHERWISE SPECIFIED	
ONE PLACE DECIMAL ± 0.5	THREE PLACES DECIMAL ± 0.100
TWO PLACES DECIMAL ± 0.20	ANGULAR $\pm 2^{\circ}$
NAME	DATE
DRAWN JEH	3/9/2021
CHECKED -	-
FORM NO: CVP-PE40-0006 REV A	
THIRD ANGLE PROJECTION	
SIZE C	DWG. NO. OL-FHZ310
DO NOT SCALE DRAWING	SCALE 1:1
Expertise Applied Answers Delivered	
TITLE BATT MOUNT, 3POS, BUSSED, FUSE HOLDER	
OUTLINE	REV. A
SHEET 1 OF 1	



10 TRACEABILITY LABEL SEE NOTE 7