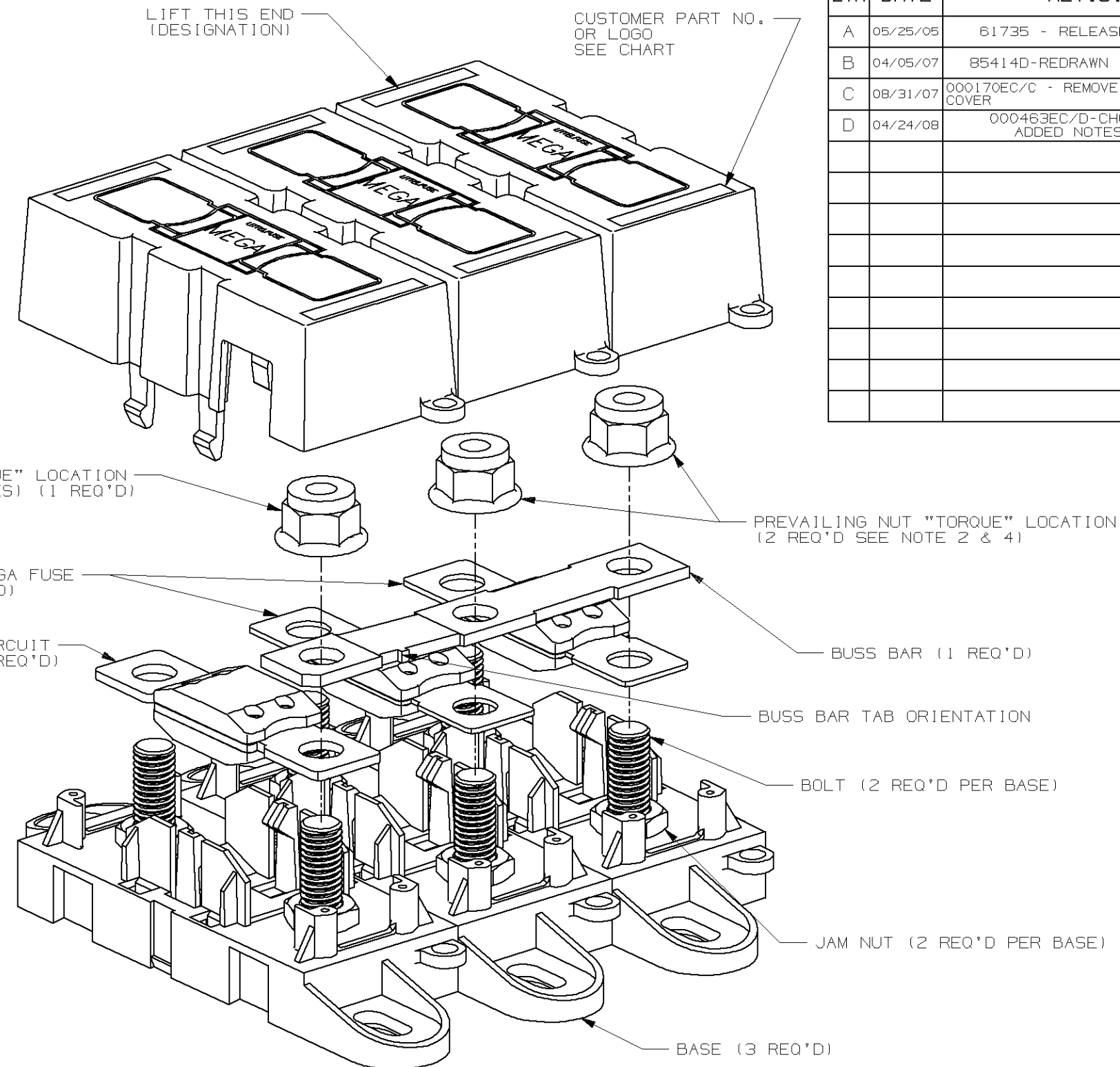
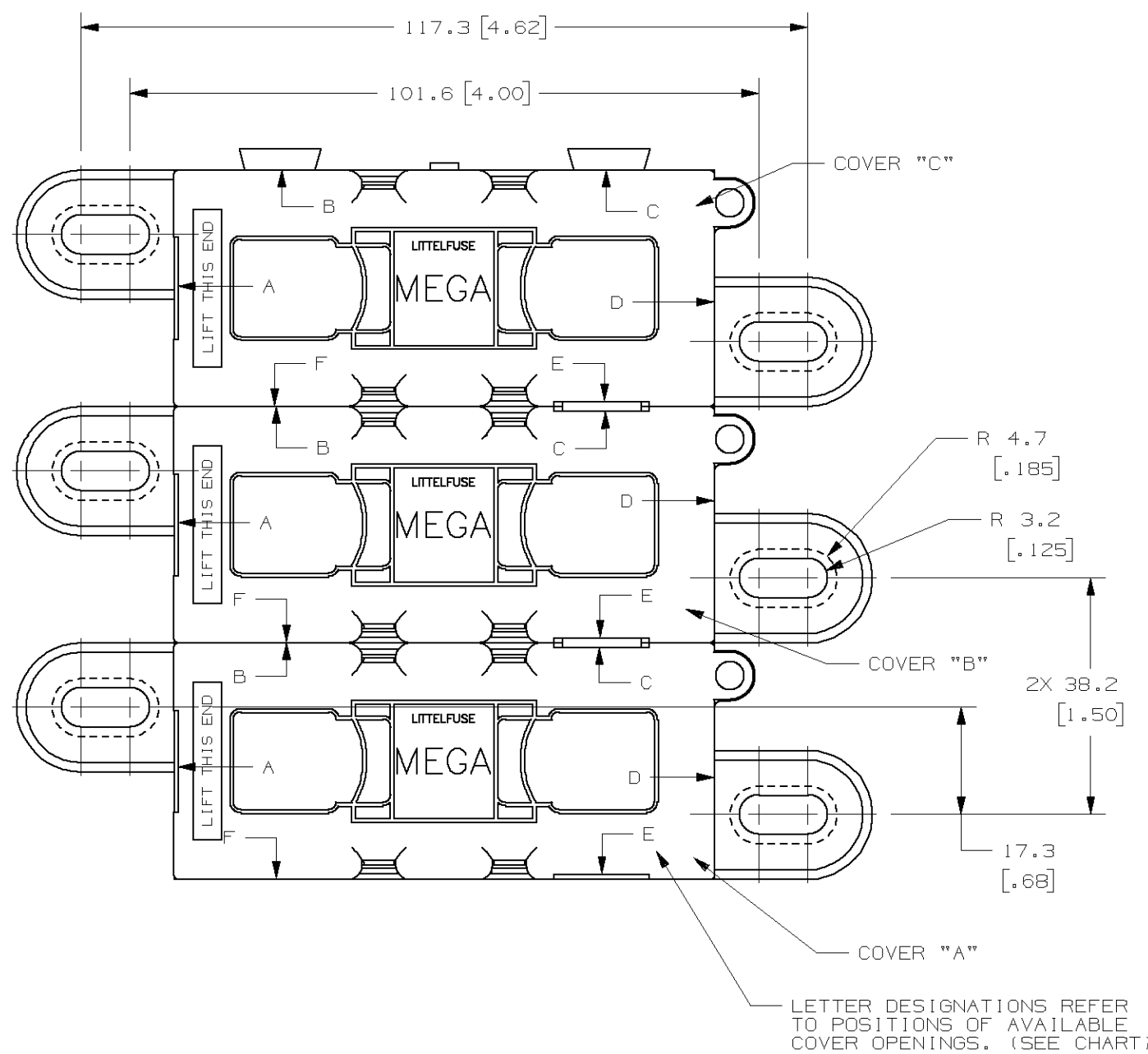
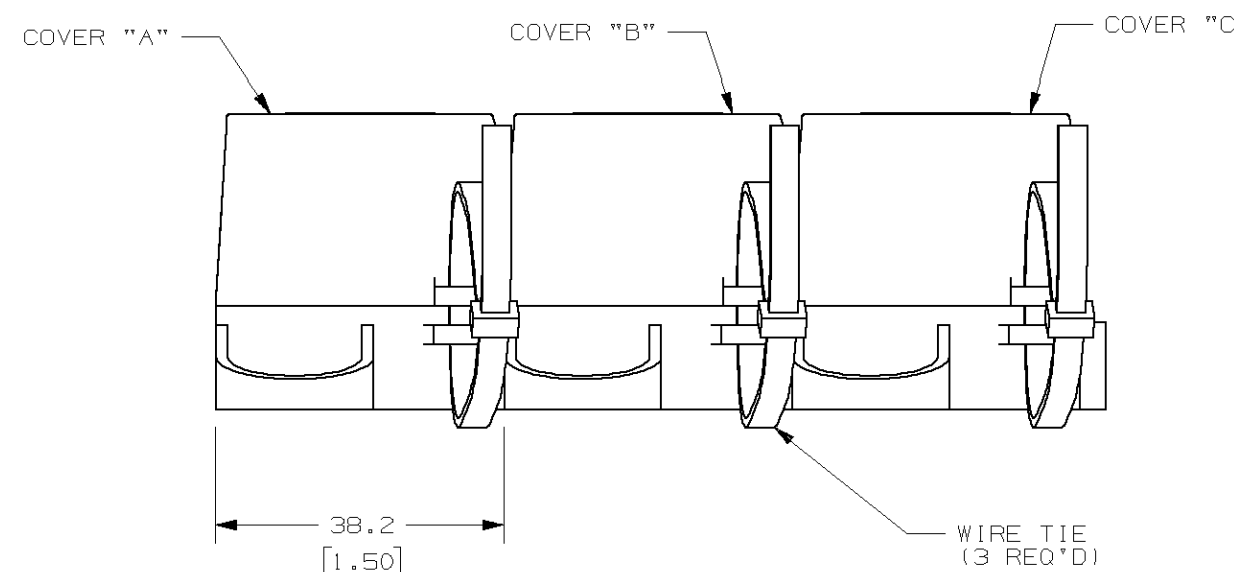
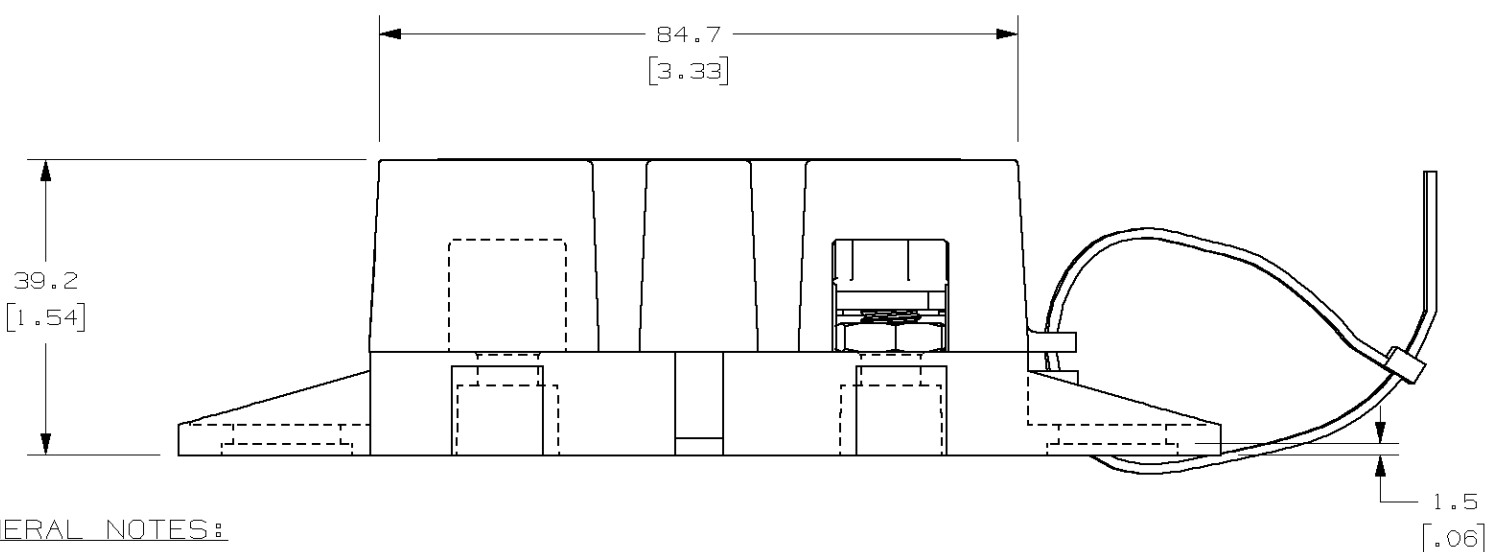


COVER PART	COVER OPENING POSITION
A	A C E
B	A C E
C	A E



LTR	DATE	REVISION	CHK	APD
A	05/25/05	61735 - RELEASED	GLAB	
B	04/05/07	85414D-REDRAWN IN UG	GMB	
C	08/31/07	000170EC/C - REMOVE USA FROM COVER	BRK	
D	04/24/08	000463EC/D-CHG. NOTE 2 ADDED NOTES	GMB	



GENERAL NOTES:

- COVER RETENTION TEST: MINIMUM FORCE OF 2 LBS. IS REQUIRED TO REMOVE COVER WHEN IT IS SUSPENDED UPSIDE DOWN. FORCE SHALL BE APPLIED THROUGH THE INNER HOLES (2) IN BASE. USE FIXTURE #T-C403 TO SUPPORT PART.
- TORQUE APPLIED TO ALL "TORQUE" LOCATIONS TORQUE REQUIREMENTS FOR THE HEX NUT USED TO SECURE THE BUSSBAR OR THE CUSTOMER RING TERMINAL TO THE MEGA FUSE TO BE:
8mm NUT - 12-18 NEWTON METERS [106-159 IN-LBS]
- HOLDER MEETS L/F VALIDATION TEST SPEC. VS-005002.
- FLANGED LOCKNUT TO MEET THE FOLLOWING CRITERIA:
FORD PART NO. W520202
FINISH: S437.

MATERIALS:

- * BODY - GLASS FILLED THERMOPLASTIC
COLOR - BLACK
- * COVER - THERMOPLASTIC
COLOR - BLACK
- * WIRE TIE - THERMOPLASTIC
COLOR - BLACK
- * STUDS & NUTS - M8 X 1.25 STEEL ZINC PLATE WITH TRIVALENT CHROMATE, LEACHED AND SEALED, INTEGRAL TORQUE CONTROL LUBRICANT FINISH, (MEETS 96 HR. ASTM STD. B-117 SALT SPRAY REQ.)

- MANUALLY ASSEMBLE FLANGED PREVAILING NUT ONTO STUD UP TO THE BOTTOM OF THE PLASTIC INSERT IN THE NUT, FOR ALL "NO TORQUE" LOCATIONS.

NO	COMPONENT NO	DESCRIPTION	QTY/M	U/M
-	-	-	-	-
-	-	-	-	-
-	-	-	-	-

BILL OF MATERIAL

UNLESS OTHERWISE SPECIFIED, DIMENSIONS ARE IN MILLIMETERS. DIMENSIONS IN BRACKETS [] ARE INCHES			
UNLESS OTHERWISE SPECIFIED, DIMENSIONS DO NOT INCLUDE PLATING.			
⊙	DENOTES CRITICAL CHARACTERISTICS.		
CPK	DENOTES CPK DIMENSIONS. -MINIMUM CPK VALUE		
ST	DENOTES A CHARACTERISTIC THAT PROVIDES AN INDICATION OF PROCESS PERFORMANCE. PROCEDURE FOR MEASUREMENT AND TRACKING TO BE DEFINED IN LITTELFUSE INSPECTION INSTRUCTIONS		
CP	DENOTES CP DIMENSIONS. -MINIMUM CP VALUE MUST BE WITHIN THE DIMENSIONAL LIMITATIONS SHOWN ON DRAWING AND INITIALLY LOCATED TO ALLOW FOR MAXIMUM TOOL LIFE		
COPIES TO		MATL SPEC	
1	9	18	FINISH
2	10	19	
3	12	20	
4	13	21	DRW GLAB DATE 05/25/05 SCALE 1:1
5	14	23	CHK DATE SUPER DR
6	15	33	APPD DATE FINSH GOOD WT
7	16	43	
8	17	53	GRAMS/PIECE

TOLERANCE UNLESS OTHERWISE SPECIFIED			
ONE PLACE DEC	+/- .3	THREE PLACE DEC	+/- .100
TWO PLACE DEC	+/- .25	ANGULAR	+/- 1°
3RD ANGLE PROJECTION	TITLE		3 POLE MEGA HOLDER FOR 400A & TWO 175A
Littelfuse		REVISION	DRWG. NO. OUTLINE
		D	02983003ZXT

METRIC

CAD GENERATED DRAWING - NO PENCIL CHANGES ALLOWED